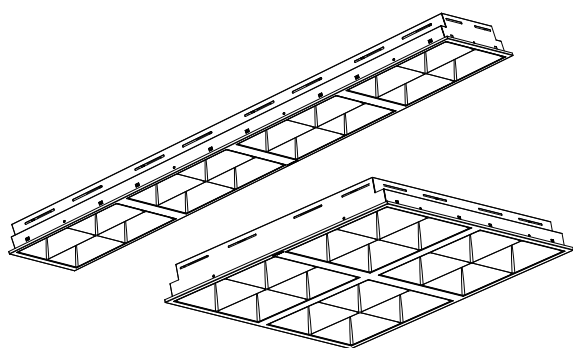
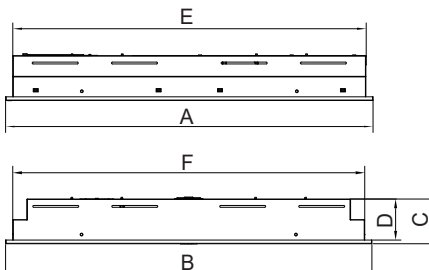
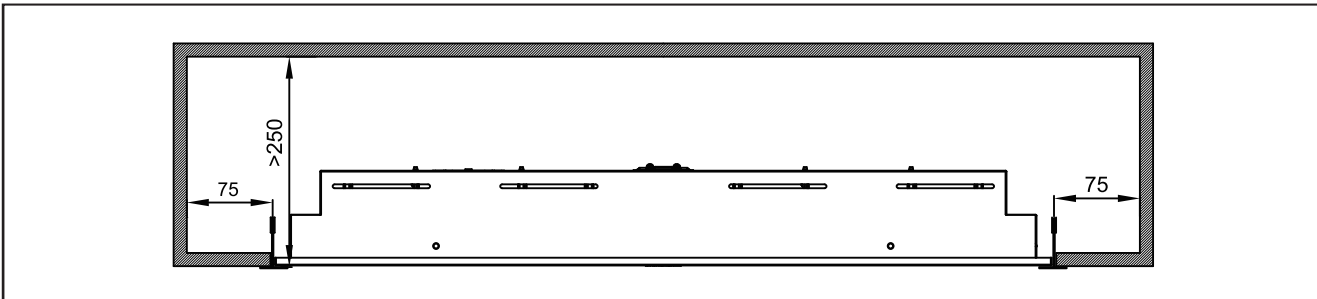


LED Panel Recessed Grille

Model Name	CCT	kg
LED PL-RC-G SQ598-33W-BLE	3000K/4000K	4.12kg
LED PL-RC-G RE298-33W-BLE	3000K/4000K	5.33kg
LED PL-RC-G SQ598-33W-10V	3000K/4000K	4.12kg
LED PL-RC-G RE298-33W-10V	3000K/4000K	5.33kg
LED PL-RC-G SQ598-33W-DALI	3000K/4000K	4.12kg
LED PL-RC-G RE298-33W-DALI	3000K/4000K	5.33kg
LED PL-RC-G SQ598-33W	3000K/4000K	4.12kg
LED PL-RC-G RE298-33W	3000K/4000K	5.33kg

Type	A(mm)	B(mm)	C(mm)	D(mm)	E(mm)	F(mm)	Actilume Controller
LED PL-RC-G SQ598-33W-BLE	598	598	73	67	575	575	YES
LED PL-RC-G RE298-33W-BLE	1198	298	73	67	1175	275	YES
LED PL-RC-G SQ598-33W-10V	598	598	73	67	575	575	YES
LED PL-RC-G RE298-33W-10V	1198	298	73	67	1175	275	YES
LED PL-RC-G SQ598-33W-DALI	598	598	73	67	575	575	YES
LED PL-RC-G RE298-33W-DALI	1198	298	73	67	1175	275	YES
LED PL-RC-G SQ598-33W	598	598	73	67	575	575	YES
LED PL-RC-G RE298-33W	1198	298	73	67	1175	275	YES



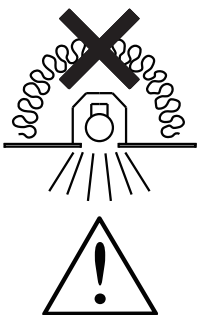
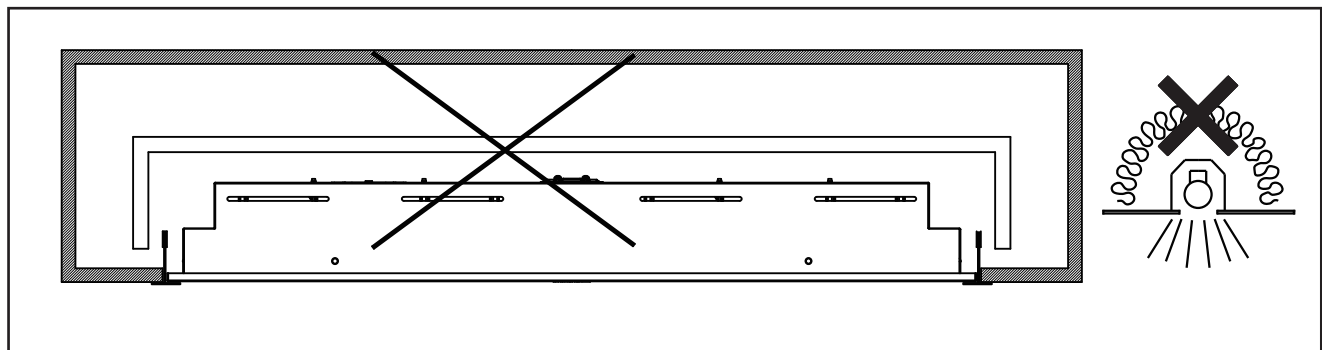
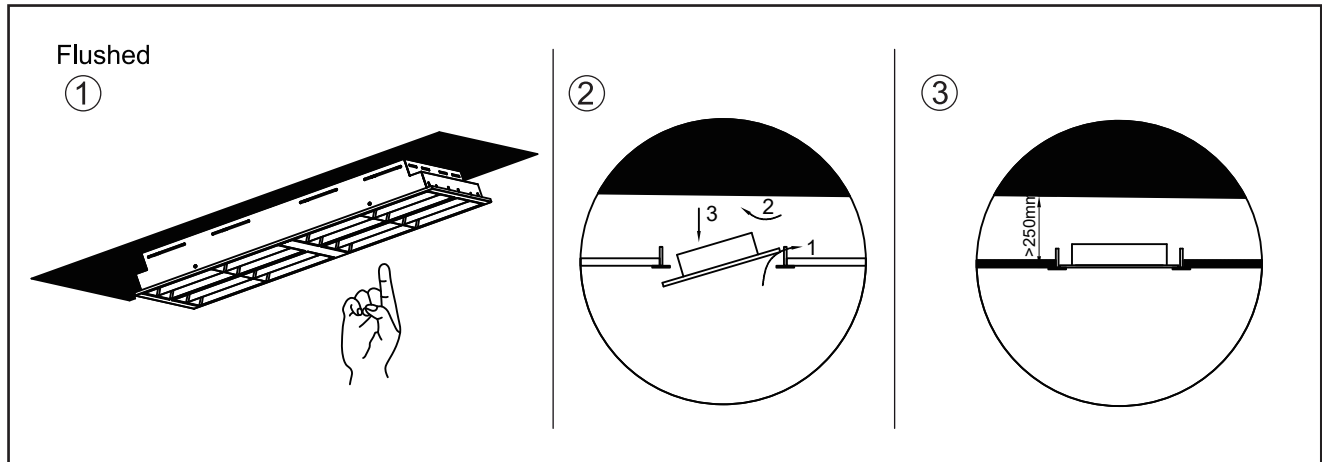
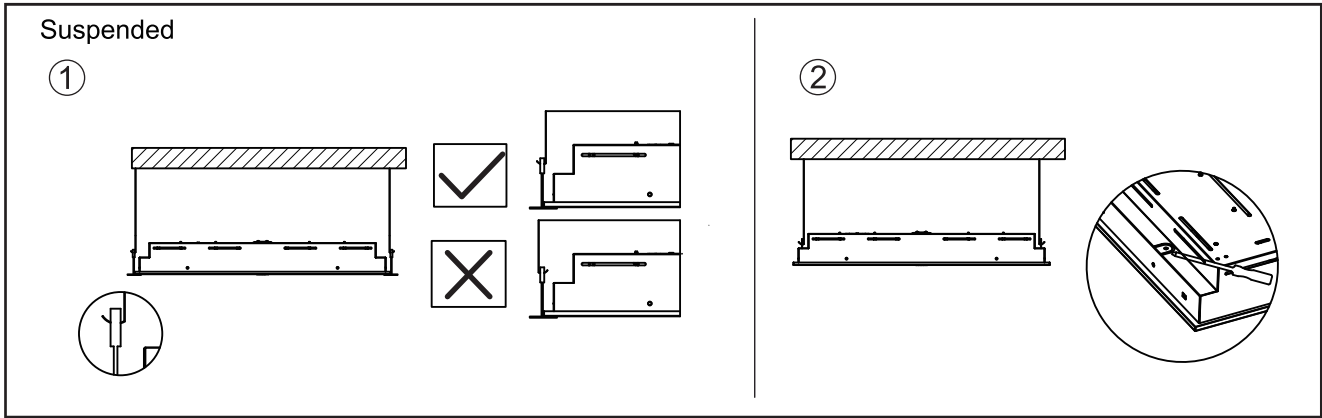
TOUCH DIM FUNCTIONALITY (For DALI2 System)

Function	Contact Duration	Reaction
Ignore	< 50ms	Nothing
Short Push	50-500ms	Turn on or off
Long Push	>500ms	Dimming up or down
Synchronisation	10s	Go to SYNC level, 50%
	20s	Go to SYNC level, 100%

Touch Dim Terminal Consumption: Typical 3mA(220V).

Warning: TD function and DALI function can't be used at the same time, avoid damaging the DALI system by high voltage.

Only for DALI and 10V version.
Need connect with DALI1 and DALI2.



Luminaires not suitable for covering with thermally insulating material.
Leuchten sind nicht mit thermisch isolierenden Materialien abzudecken.

In case of damage to the wire, it has to be replaced only by the manufacturer, distributor or by an expert, to avoid risks.

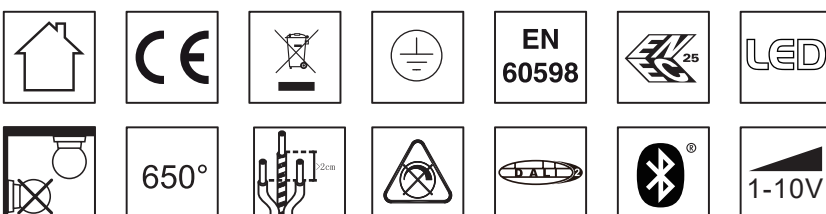
Caution: Any operation on LED module is forbidden while power-on.

Zur Vermeidung von Risiken müssen defekte Leitungen ausschließlich vom Hersteller, Inverkehrbringer oder Fachmann ausgetauscht werden.

Achtung: In Betrieb ist keine Arbeit am LED-Modul erlaubt.

For non-replaceable light sources.

The light source of this luminaire is not replaceable; when the light source reaches its end of life the whole luminaire shall be replaced.



Suzhou Opplé Lighting Co., Ltd.
215200
East Side, Fenyang Road,
Fenu Economic Development Zone,
Wujiang City, Jiangsu Province,
P.R.China

Opplé Lighting BV
Meerenakkerweg 1.11
5652 AR Eindhoven
The Netherlands
service@opple.com
www.opple.com