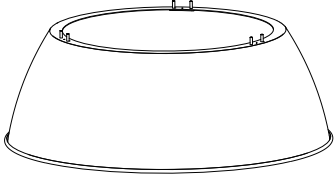
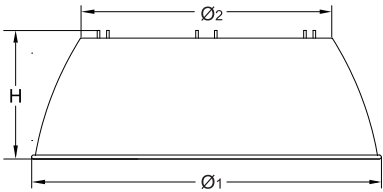


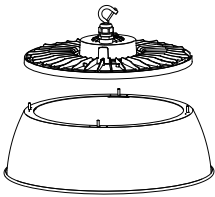
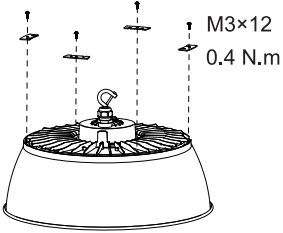
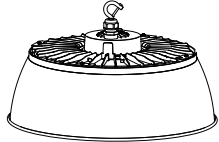
LED Highbay Reflector

Item Code	kg	
545098003500	0.55kg	
545098003600	1.05kg	

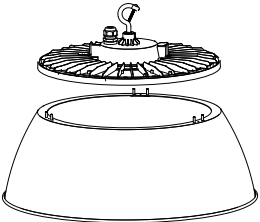
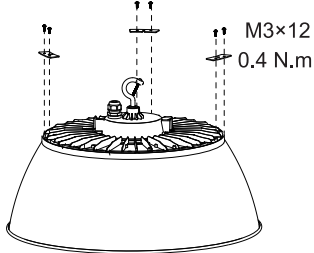
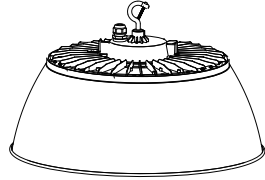
Model	Ø ₁ (mm)	Ø ₂ (mm)	H (mm)	Compatible with:
LED HB-P4 RF D330	426	343	142	LED HB-P4 80W (All versions) LED HB-P4 115W (All versions)
LED HB-P4 RF D420	570	410	210	LED HB-P4 155W (All versions) LED HB-P4 230W (All versions)



LED HB-P4 RF D330

- 
- 
- 

LED HB-P4 RF D420

- 
- 
- 

250052981000



Data subject to change
Les données sont sujettes à modifications
Änderungen vorbehalten

Suzhou Oppl Lighting Co.,Ltd.
215200
East Side, Fenyang Road,
Fenhu Economic Development Zone,
Wujiang City, Jiangsu Province,
P.R.China

OPPLE Lighting B.V.
Materiaalweg 6-6A
5681 RJ Best
The Netherlands
service@opple.com
www.opple.com