

IP65 Base Module

<div style="border: 1px solid black; padding: 2px; display: inline-block;">Item Code</div>		
560006000900	0.4kg	

Type	Φ ₁ (mm)	Φ ₂ (mm)	H(mm)	L(mm)
LED SL Sensor-Base-Module-IP65	122	109	130	900

Maximum mounting height: 12m

①

17mm

②

③ LED SL-RC-MW Sensor (Purchase separately)

0.5N.m

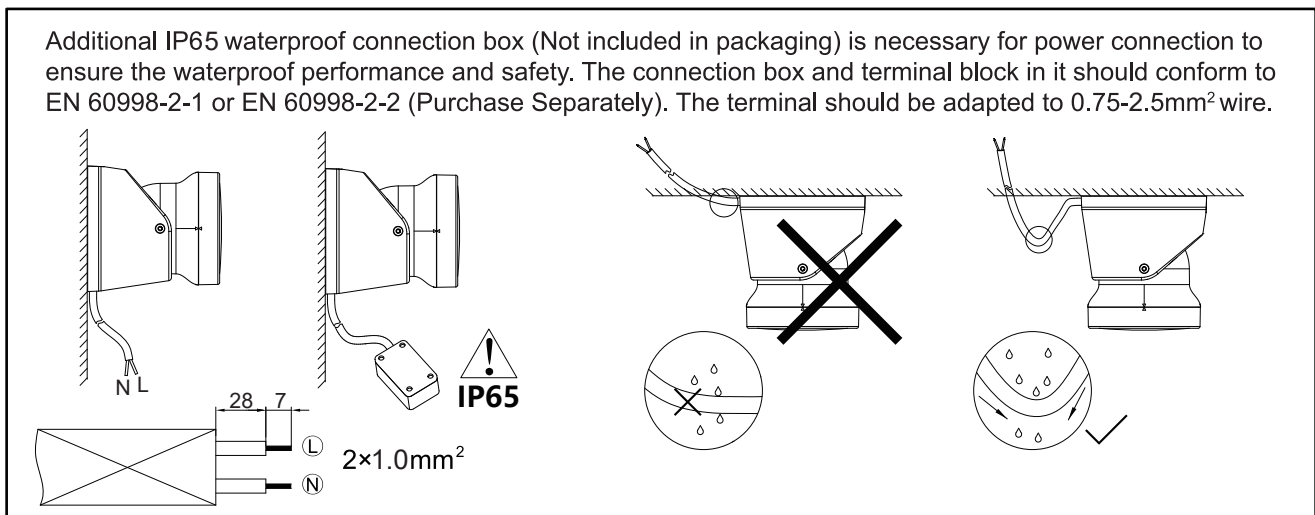
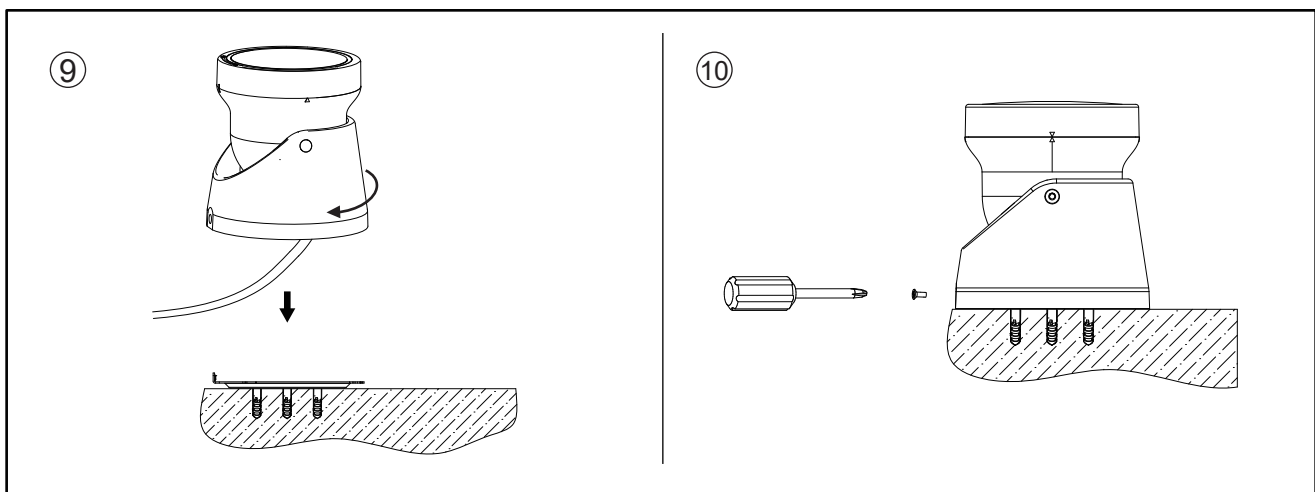
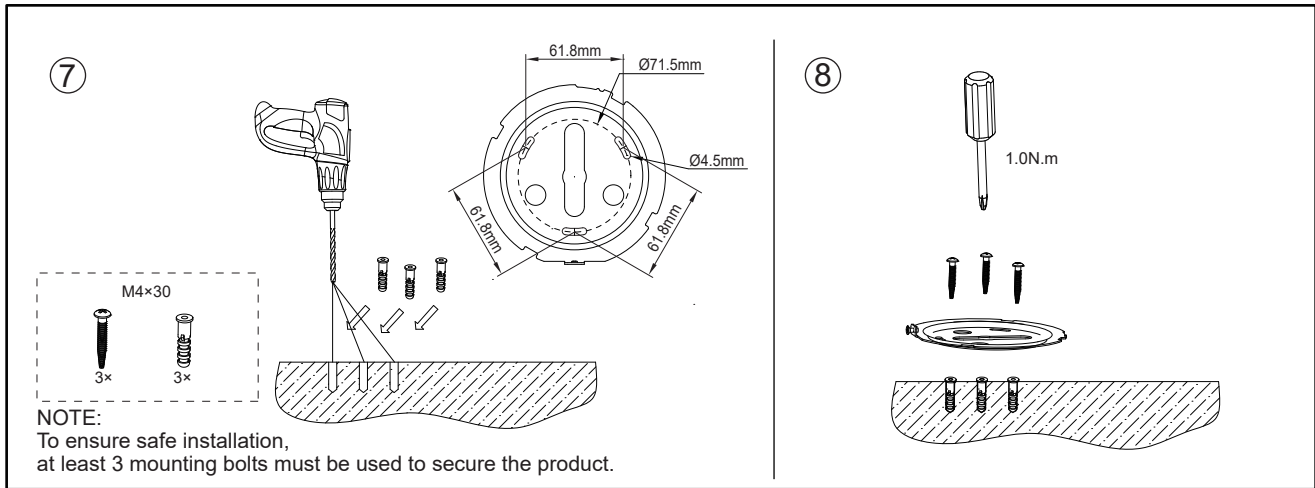
④

⑤

90°-360°
Press
30°

⑥

17mm



In case of damage to the wires, it has to be replaced only by the manufacturer, distributor or an expert to avoid risks.

Zur Vermeidung von Risiken müssen defekte Leitungen ausschließlich vom Hersteller, Inverkehrbringer oder Fachmann ausgetauscht werden.

