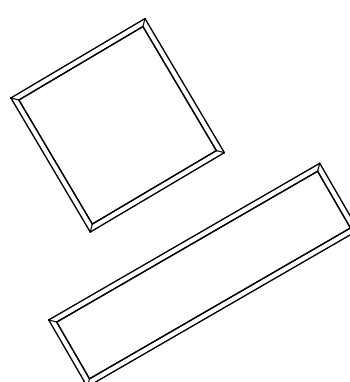
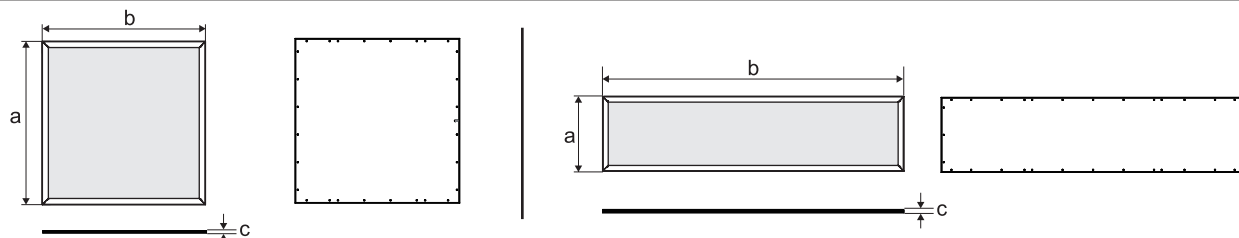


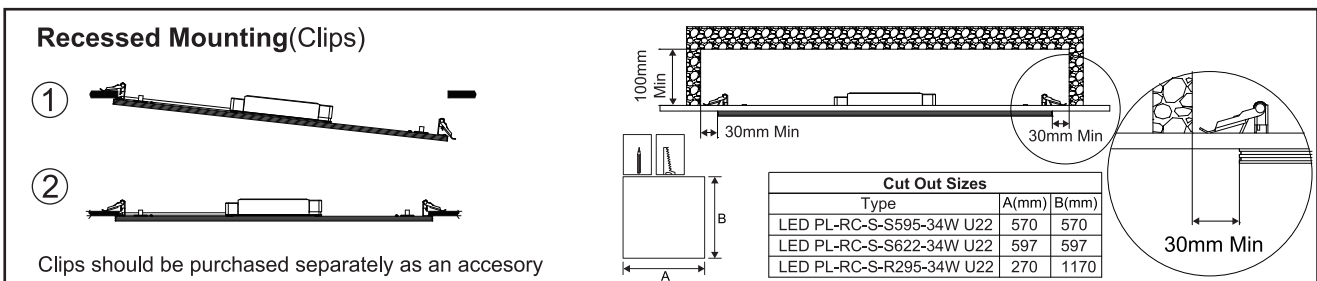
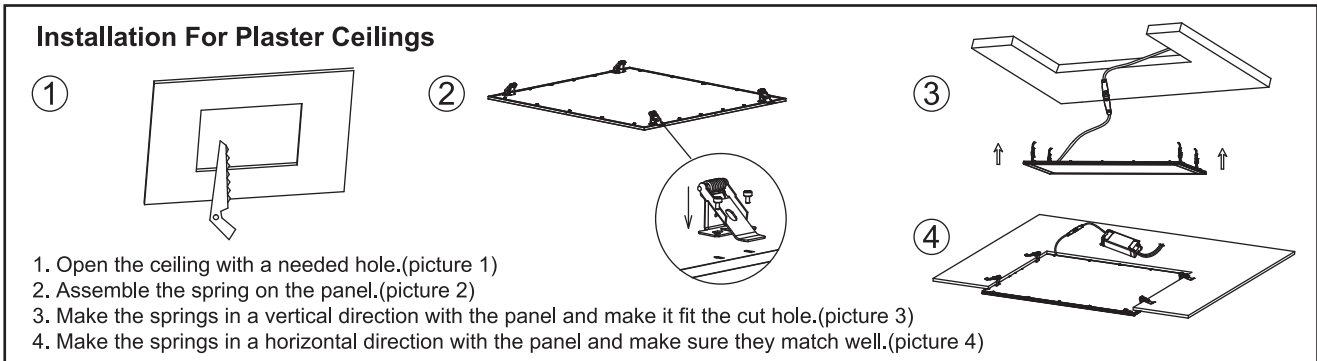
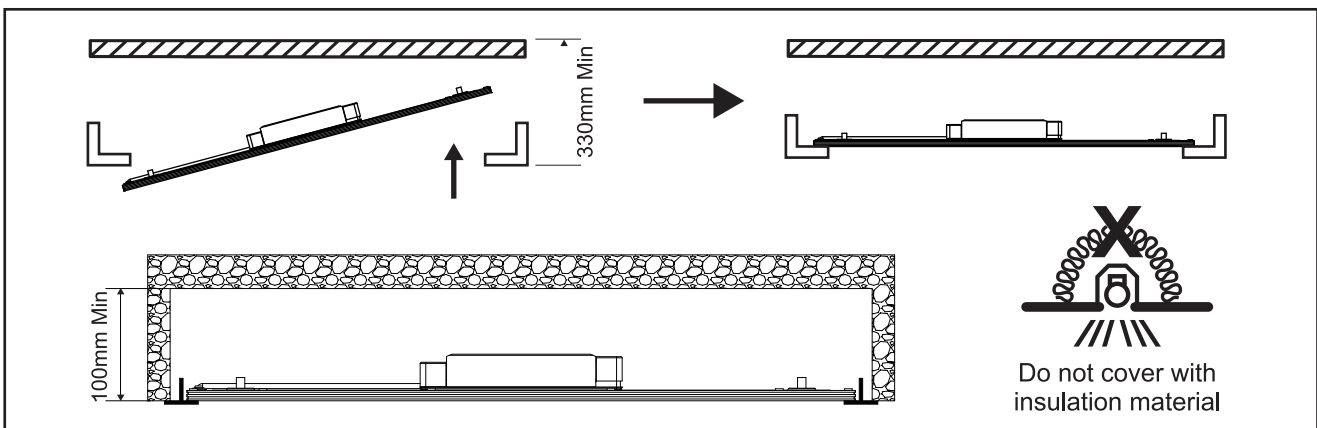
## LED Slim Panel Ecomax

Item Code	CCT	kg
140062700	3000K	3.2Kg
140062701	4000K	3.2Kg
140062702	6500K	3.2Kg
140062703	3000K	3.26Kg
140062704	4000K	3.26Kg
140062705	6500K	3.26Kg
140062706	3000K	3.2Kg
140062707	4000K	3.2Kg
140062708	6500K	3.2Kg

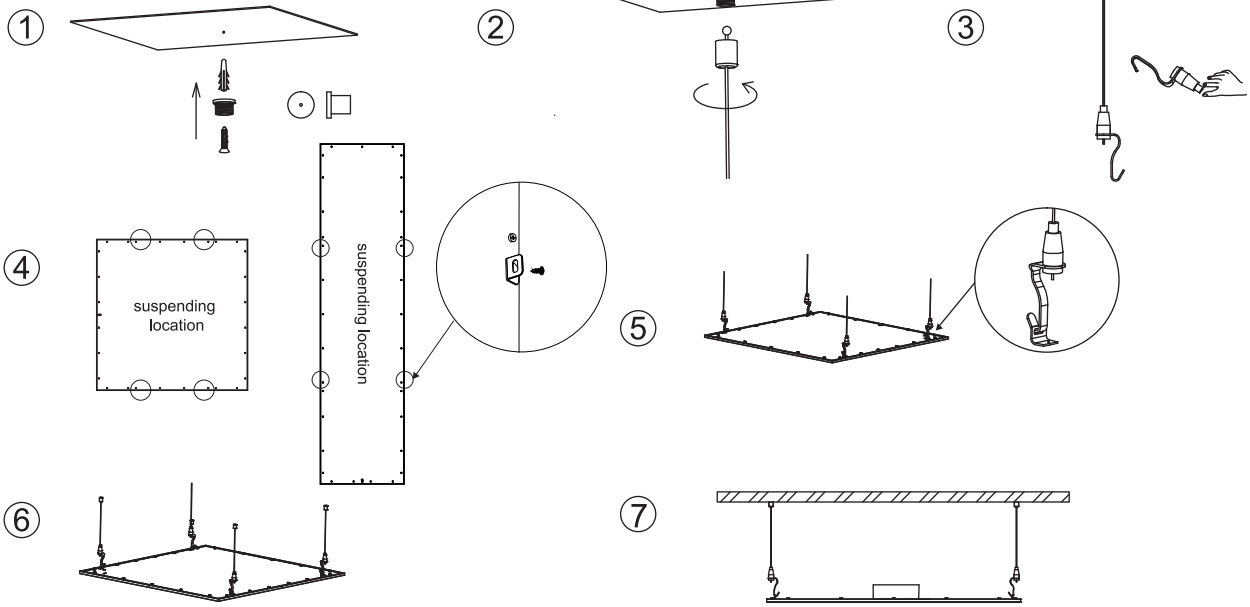
\*Suspension kit to be purchased separately

Model Name	a	b	c	Rated Voltage	Frequency	Rated Power
LED PL-RC-S-S595-34W U22	595	595	8.5	220-240V~	50/60Hz	34W
LED PL-RC-S-S622-34W U22	622	622				
LED PL-RC-S-R295-34W U22	295	1195				



## Suspended installation



1. Fix the installation frame with anchor into target place on the ceiling. (Picture 1)
2. Screw nut to the part installed on ceiling in step 1. (Picture 2)
3. Connect the other end of the lines with the hook. (Picture 3)
4. Remove the screws from the backplate circled in picture 4, fix the L shape hanger by the screws from suspension kit.(Picture 4)
5. Hang the panel in the hook at indicated locations circled in picture 4. (Picture 5)



Luminaires not suitable for covering with thermally insulating material.  
Leuchten sind nicht mit thermisch isolierenden Materialien abzudecken.

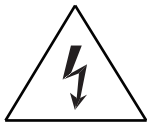
In case of damage to the wire, it has to be replaced only by the manufacturer, distributor or by an expert, to avoid risks.



Caution: Any operation on LED module is forbidden while power-on.

Zur Vermeidung von Risiken müssen defekte Leitungen ausschließlich vom Hersteller, Inverkehrbringer oder Fachmann ausgetauscht werden.

Achtung: In Betrieb ist keine Arbeit am LED-Modul erlaubt.



For non-user replaceable light sources:

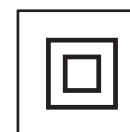
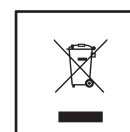
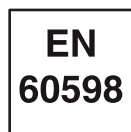
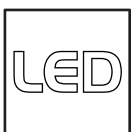
The light source contained in this luminaire shall only be replaced by the manufacturer or his service agent or a similar qualified person.

Das Leuchtmittel dieser Leuchte ist nicht austauschbar. Wenn das Leuchtmittel das Ende seiner Lebensdauer erreicht hat, muss die gesamte Leuchte ersetzt werden.

Terminal block not included. Installation may require advice from a qualified person.

Only use suitable connection boxes with internal terminal blocks conform to EN60998-2-1 or EN60998-2-2 Terminal should be capable for at least 450V 16A, 0.75mm<sup>2</sup> wiring.

Data subject to change/Les données sont sujettes à modifications  
Änderungen vorbehalten



Opplé Lighting Electronic (Zhongshan) Co., Ltd.  
Building A, No.275 Dongan Bei Road,  
Haizhou District,  
Guzhen Town,  
Zhongshan City,  
Guangdong, China.

OPPLE Lighting B.V.  
Materiaalweg 6-6A  
5681 RJ Best  
The Netherlands  
service@opple.com  
www.opple.com