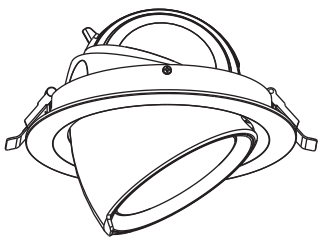
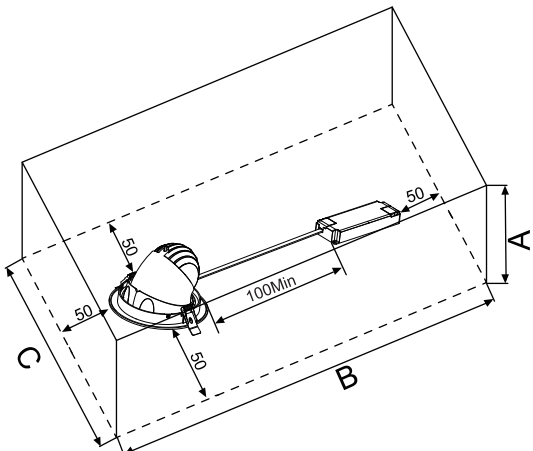


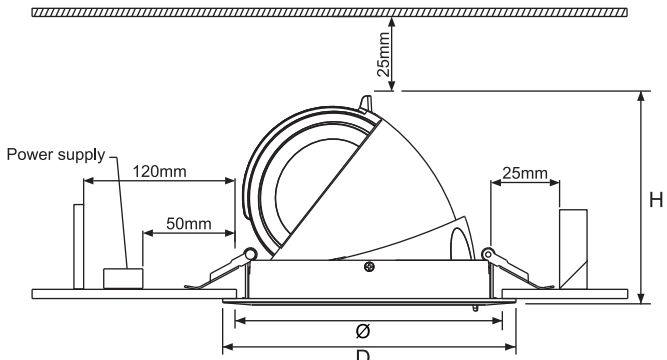
## LED Spot Swing

Item Code	CCT	kg	Item Code	CCT	kg
541003067600	3000K	0.57Kg	541003101300	3000K	1.15Kg
541003067700	4000K	0.57Kg	541003101400	4000K	1.15Kg
541003067800	3000K	0.57Kg	541003101500	3000K	1.15Kg
541003067900	4000K	0.57Kg	541003101600	4000K	1.15Kg
541003068000	3000K	1.15Kg	541003101700	3000K	1.15Kg
541003068100	4000K	1.15Kg	541003101800	4000K	1.15Kg
541003068200	3000K	1.15Kg	541003101900	3000K	1.15Kg
541003068300	4000K	1.15Kg	541003102000	4000K	1.15Kg
			541003102100	3000K	1.15Kg
			541003102200	4000K	1.15Kg
			541003102300	3000K	1.15Kg
			541003102400	4000K	1.15Kg

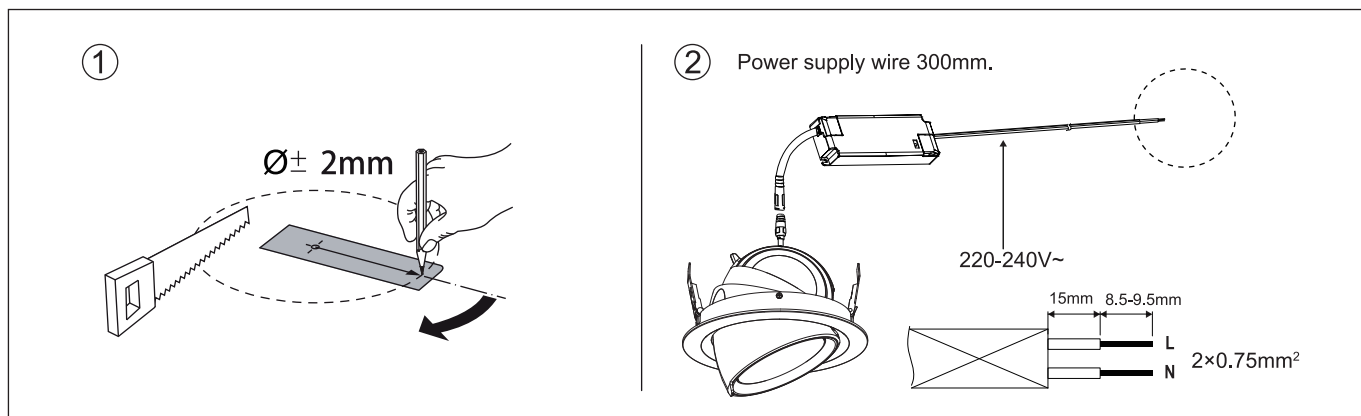
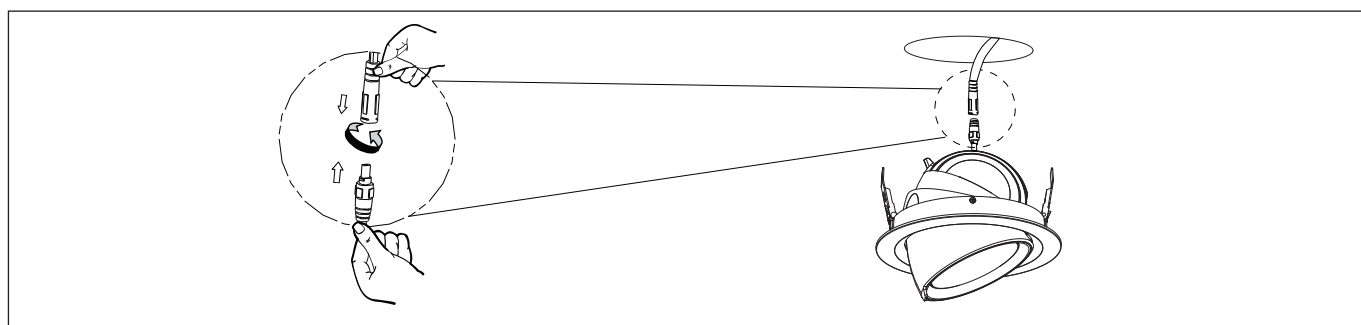


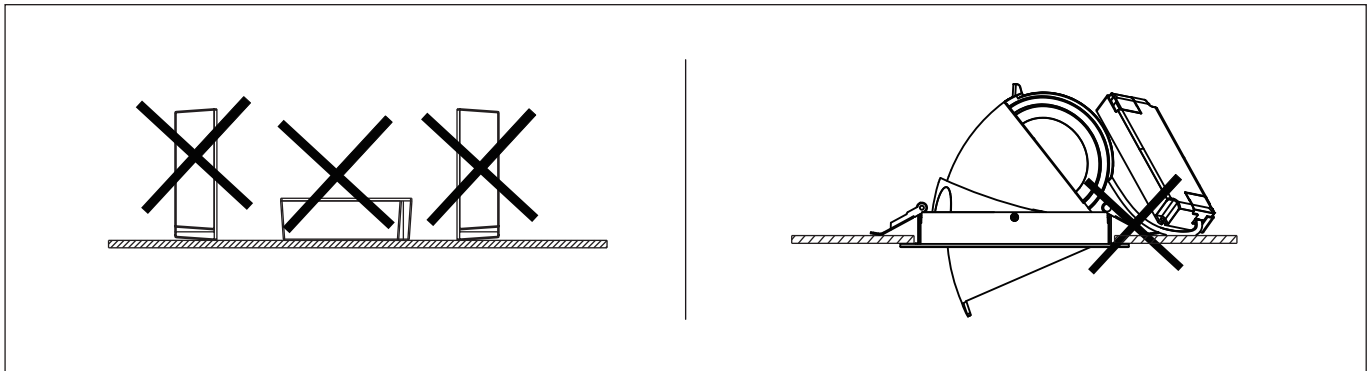
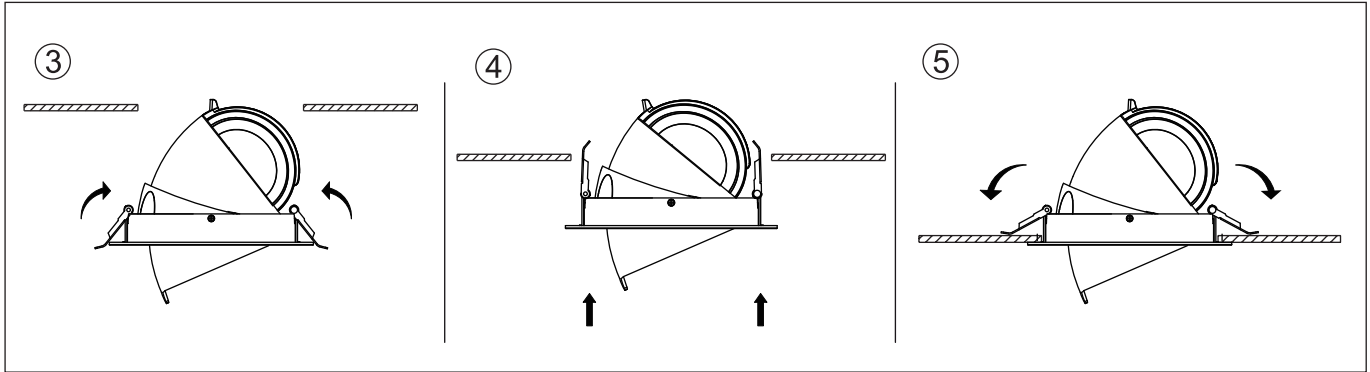


Model Name	A (mm)	B (mm)	C (mm)
LED SP-RS-P 20W	204	705	245
LED SP-RS-P 35W	257	745	280
LED SP-RS-P 35W DALI			
LED SP-RS-P 35W BLE			
LED SP-RS-P 35W 10V			



Model Name	D (mm)	H (mm)	Ø (mm)	Rated Voltage(V~)	Frequency (Hz)	Current (A)	Rated Power(w)
LED SP-RS-P 20W	145	102	125-135	220-240	50/60	0.12	20
LED SP-RS-P 35W	180	128.5	165-170	220-240	50/60	0.2	35
LED SP-RS-P 35W DALI							
LED SP-RS-P 35W BLE							
LED SP-RS-P 35W 10V							



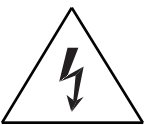


Luminaires not suitable for covering with thermally insulating material.  
Leuchten sind nicht mit thermisch isolierenden Materialien abzudecken.

In case of damage to the wire, it has to be replaced only by the manufacturer, distributor or by an expert, to avoid risks.



Caution: Any operation on LED module is forbidden while power-on.  
Zur Vermeidung von Risiken müssen defekte Leitungen ausschließlich vom Hersteller, Inverkehrbringer oder Fachmann ausgetauscht werden.  
Achtung: In Betrieb ist keine Arbeit am LED-Modul erlaubt.



For non-user replaceable light sources:  
The light source contained in this luminaire shall only be replaced by the manufacturer or his service agent or a similar qualified person.  
Das Leuchtmittel dieser Leuchte ist nicht austauschbar. Wenn das Leuchtmittel das Ende seiner Lebensdauer erreicht hat, muss die gesamte Leuchte ersetzt werden.

Terminal block not included. Installation may require advice from a qualified person.  
Only use suitable connection boxes with internal terminal blocks conform to EN60998-2-1 or EN60998-2-2 Terminal should be capable for at least 450V 16A, 0.75mm<sup>2</sup> wiring.

Bluetooth Operating frequency: 2402-2480 MHz, Bluetooth Max Transmission Power: 18dBm

Data subject to change/ Les données sont sujettes à modifications Änderungen vorbehalten

Opplé Lighting Electronic (Zhongshan) Co., Ltd.  
Building A, No.275 Dongan Bei Road,  
Haizhou District,  
Guzhen Town,  
Zhongshan City,  
Guangdong, China.

OPPLE Lighting B.V.  
Materiaalweg 6-6A  
5681 RJ Best  
The Netherlands  
service@opple.com  
www.opple.com

