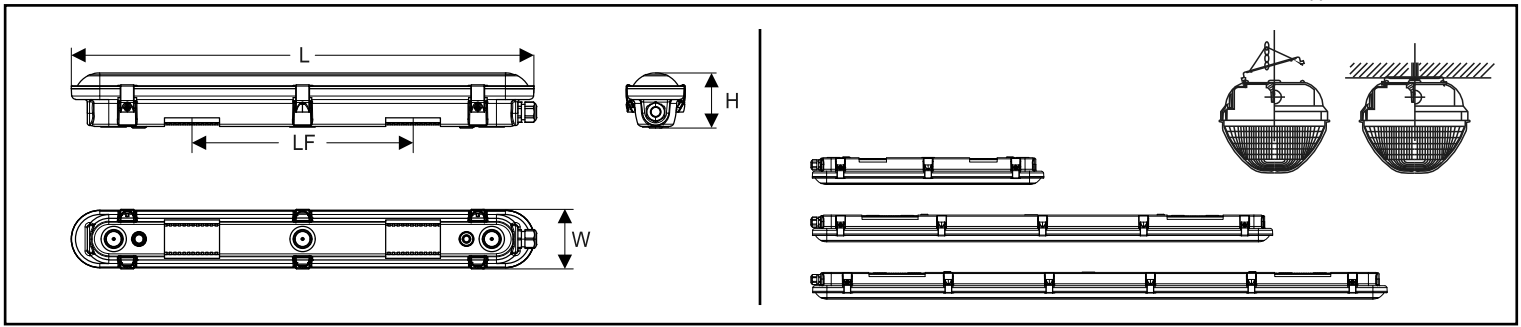


LED Waterproof Classic Performer G2

Version date 20-07-2023
www.opple.com



Item Code	Model	Rated Power (W)	L×W×H (mm)	LF (mm)	Lumen Total (lm)	Efficacy (lm/W)	IP Grade	IK Grade	Storage Environmen (°C)	Application Temperature (°C)	KG
531000013000	WP-C2 L600-10/18W-840	10/18	608×78×72	290	1500/2700	150	IP65	IK08	-20-60	-25~+45	0.82
531000013600	WP-C2 L600-18W-840-DALI	18	608×78×72	290	2700	150	IP65	IK08	-20-60	-25~+45	0.87
531000014200	WP-C2 L600-18W-840-BLE2	18	608×78×72	290	2700	150	IP65	IK08	-20-60	-25~+45	0.87
531000014800	WP-C2 L600-10/18W-840-MD	10/18	608×78×72	290	1500/2700	150	IP65	IK08	-20-60	-25~+45	0.84
531000013100	WP-C2 L1200-18W-840	18	1208×78×72	800	2700	150	IP65	IK08	-20-60	-25~+45	1.23
531000013700	WP-C2 L1200-18W-840-DALI	18	1208×78×72	800	2700	150	IP65	IK08	-20-60	-25~+45	1.27
531000014300	WP-C2 L1200-18W-840-BLE2	18	1208×78×72	800	2700	150	IP65	IK08	-20-60	-25~+45	1.26
531000014900	WP-C2 L1200-18W-840-MD	18	1208×78×72	800	2700	150	IP65	IK08	-20-60	-25~+45	1.25
531000013200	WP-C2 L1200-18/36W-840	18/36	1208×78×72	800	2700/5400	150	IP65	IK08	-20-60	-25~+45	1.23
531000013800	WP-C2 L1200-36W-840-DALI	36	1208×78×72	800	5400	150	IP65	IK08	-20-60	-25~+45	1.31
531000014400	WP-C2 L1200-36W-840-BLE2	36	1208×78×72	800	5400	150	IP65	IK08	-20-60	-25~+45	1.3
531000015000	WP-C2 L1200-18/36W-840-MD	18/36	1208×78×72	800	2700/5400	150	IP65	IK08	-20-60	-25~+45	1.25
531000013300	WP-C2 L1500-24W-840	24	1508×78×72	1060	3600	150	IP65	IK08	-20-60	-25~+45	1.55
531000013900	WP-C2 L1500-24W-840-DALI	24	1508×78×72	1060	3600	150	IP65	IK08	-20-60	-25~+45	1.63
531000014500	WP-C2 L1500-24W-840-BLE2	24	1508×78×72	1060	3600	150	IP65	IK08	-20-60	-25~+45	1.62
531000015100	WP-C2 L1500-24W-840-MD	24	1508×78×72	1060	3600	150	IP65	IK08	-20-60	-25~+45	1.57
531000013400	WP-C2 L1500-24/44W-840	24/44	1508×78×72	1060	3600/6600	150	IP65	IK08	-20-60	-25~+45	1.55
531000014000	WP-C2 L1500-44W-840-DALI	44	1508×78×72	1060	6600	150	IP65	IK08	-20-60	-25~+45	1.63
531000014600	WP-C2 L1500-44W-840-BLE2	44	1508×78×72	1060	6600	150	IP65	IK08	-20-60	-25~+45	1.62
531000015200	WP-C2 L1500-24/44W-840-MD	24/44	1508×78×72	1060	3600/6600	150	IP65	IK08	-20-60	-25~+45	1.57
531000013500	WP-C2 L1500-44/56W-840	44/56	1508×78×72	1060	6600/8400	150	IP65	IK08	-20-60	-25~+45	1.55
531000014100	WP-C2 L1500-56W-840-DALI	56	1508×78×72	1060	8400	150	IP65	IK08	-20-60	-25~+45	1.63
531000014700	WP-C2 L1500-56W-840-BLE2	56	1508×78×72	1060	8400	150	IP65	IK08	-20-60	-25~+45	1.62
531000015300	WP-C2 L1500-44/56W-840-MD	44/56	1508×78×72	1060	6600/8400	150	IP65	IK08	-20-60	-25~+45	1.57

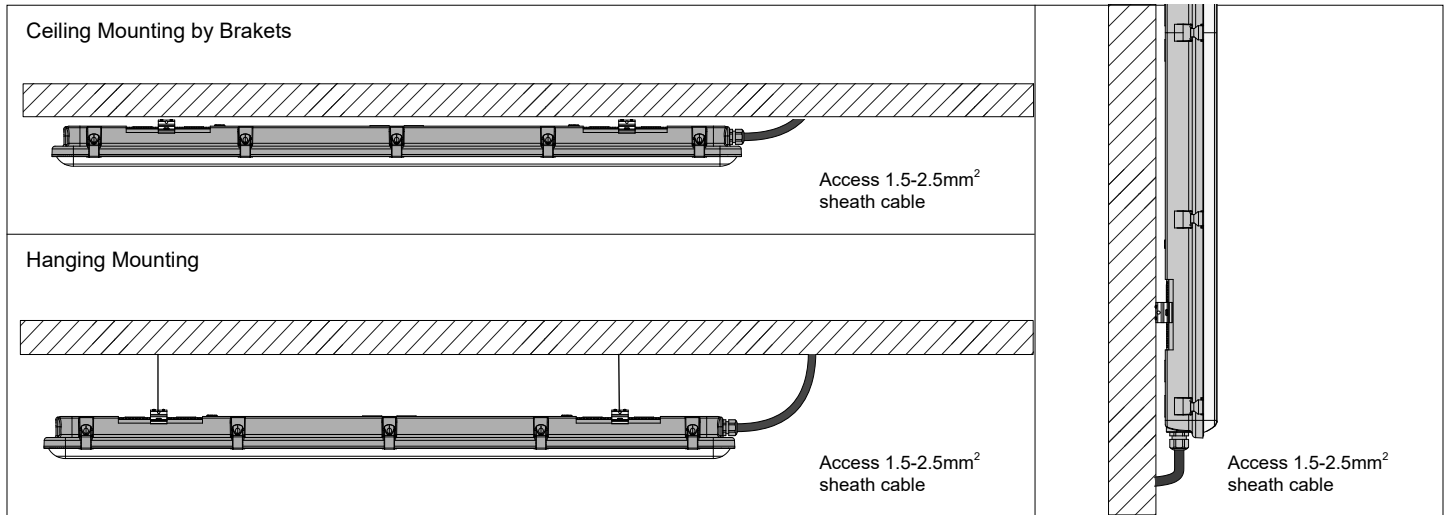
Light Source

Item Code	Product Description	N	Energy Label	Light source code	QR Code
531000013000	LEDWP-CLA-P2 L600-10/18W-840	1	C	LS076001815-01	
531000013600	LEDWP-CLA-P2 L600-18W-840-DALI	1			
531000014200	LEDWP-CLA-P2 L600-18W-840-BLE2	1			
531000014800	LEDWP-CLA-P2 L600-10/18W-840-MD	1			
531000013100	LEDWP-CLA-P2 L1200-18W-840	1	C	LS076001815-02	
531000013700	LEDWP-CLA-P2 L1200-18W-840-DALI	1			
531000014300	LEDWP-CLA-P2 L1200-18W-840-BLE2	1			
531000014900	LEDWP-CLA-P2 L1200-18W-840-MD	1			
531000013200	LEDWP-CLA-P2 L1200-18/36W-840	1	C	LS076003615	
531000013800	LEDWP-CLA-P2 L1200-36W-840-DALI	1			
531000014400	LEDWP-CLA-P2 L1200-36W-840-BLE2	1			
531000015000	LEDWP-CLA-P2 L1200-18/36W-840-MD	1			
531000013300	LEDWP-CLA-P2 L1500-24W-840	1	C	LS076002415	
531000013900	LEDWP-CLA-P2 L1500-24W-840-DALI	1			
531000014500	LEDWP-CLA-P2 L1500-24W-840-BLE2	1			
531000015100	LEDWP-CLA-P2 L1500-24W-840-MD	1			
531000013400	LEDWP-CLA-P2 L1500-24/44W-840	1	C	LS076004415	
531000014000	LEDWP-CLA-P2 L1500-44W-840-DALI	1			
531000014600	LEDWP-CLA-P2 L1500-44W-840-BLE2	1			
531000015200	LEDWP-CLA-P2 L1500-24/44W-840-MD	1			
531000013500	LEDWP-CLA-P2 L1500-44/56W-840	1	C	LS076005515	
531000014100	LEDWP-CLA-P2 L1500-56W-840-DALI	1			
531000014700	LEDWP-CLA-P2 L1500-56W-840-BLE2	1			
531000015300	LEDWP-CLA-P2 L1500-44/56W-840-MD	1			

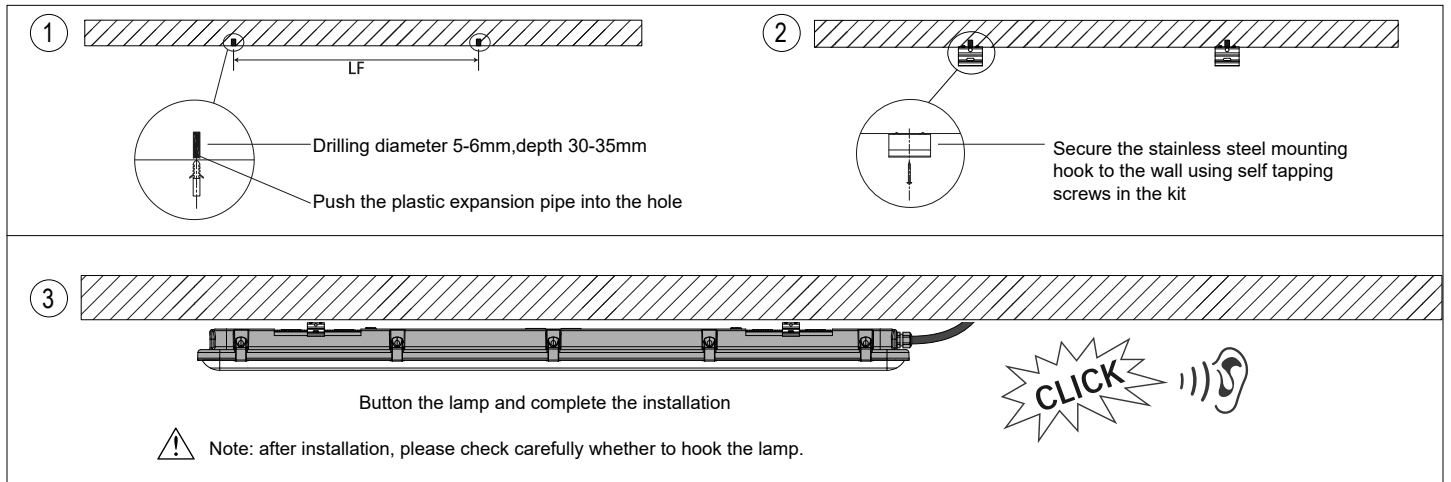
* This product contains a light source of energy efficiency class(C).

Installation

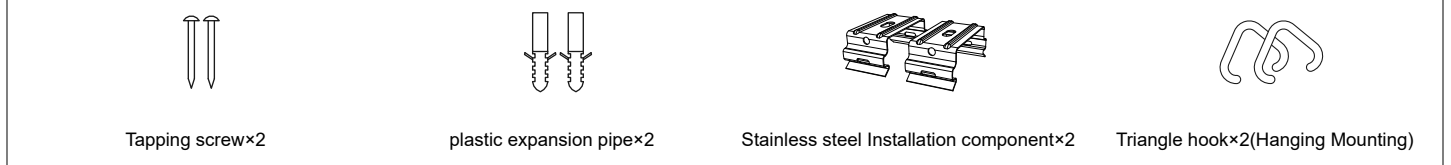
1. Installation Method



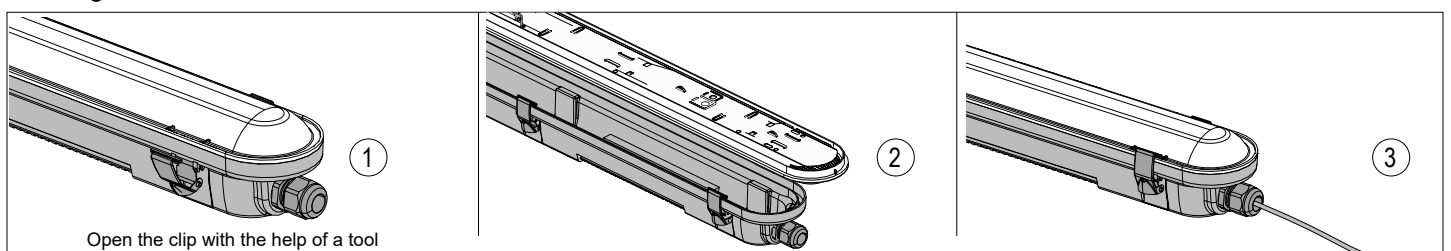
2. Installation Step



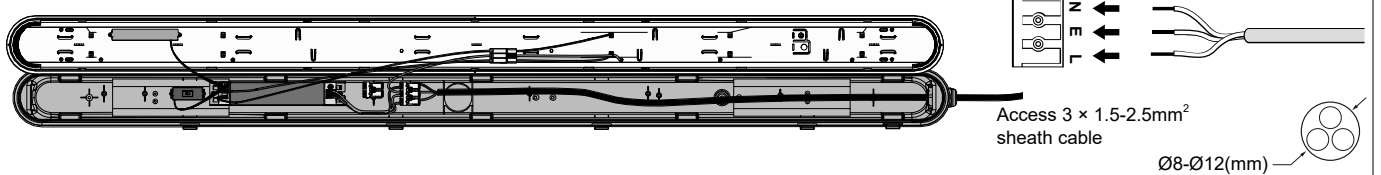
Mounting accessories



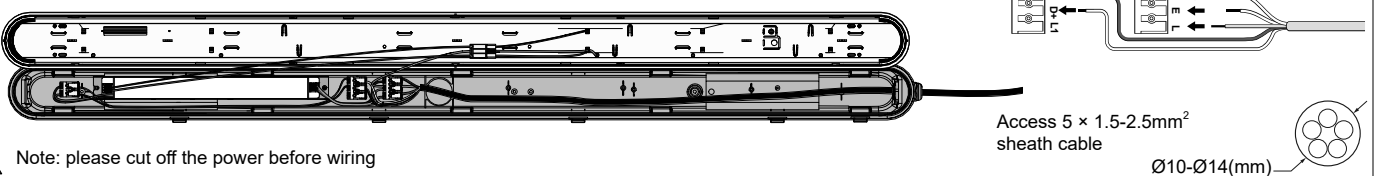
3. Wiring Method



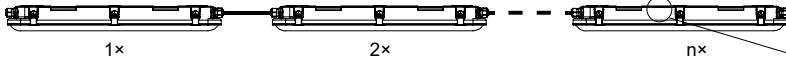
NO-DALI



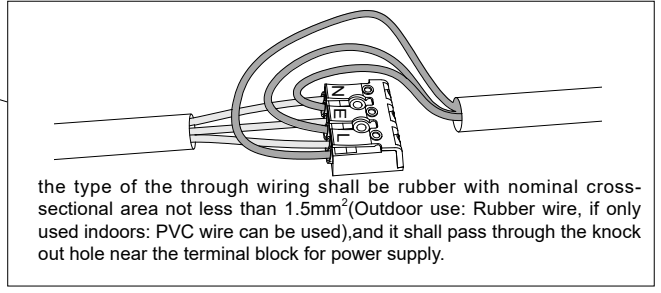
DALI



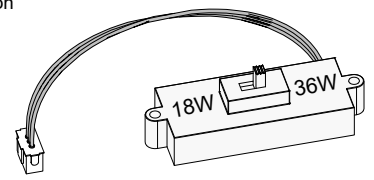
⚠ Note: please cut off the power before wiring



Item Code	Model	Max luminaires connected in line using external 1.5mm ² wire	Max luminaires connected in line using external 2.5mm ² wire
531000013000	WP-C2 L600-10/18W-840	15	24
531000013600	WP-C2 L600-18W-840-DALI	15	24
531000014200	WP-C2 L600-18W-840-BLE2	15	24
531000014800	WP-C2 L600-10/18W-840-MD	15	24
531000013100	WP-C2 L1200-18W-840	15	24
531000013700	WP-C2 L1200-18W-840-DALI	15	24
531000014300	WP-C2 L1200-18W-840-BLE2	15	24
531000014900	WP-C2 L1200-18W-840-MD	15	24
531000013200	WP-C2 L1200-18/36W-840	10	15
531000013800	WP-C2 L1200-36W-840-DALI	10	15
531000014400	WP-C2 L1200-36W-840-BLE2	10	15
531000015000	WP-C2 L1200-18/36W-840-MD	10	15
531000013300	WP-C2 L1500-24W-840	10	15
531000013900	WP-C2 L1500-24W-840-DALI	10	15
531000014500	WP-C2 L1500-24W-840-BLE2	10	15
531000015100	WP-C2 L1500-24W-840-MD	10	15
531000013400	WP-C2 L1500-24/44W-840	10	15
531000014000	WP-C2 L1500-44W-840-DALI	10	15
531000014600	WP-C2 L1500-44W-840-BLE2	10	15
531000015200	WP-C2 L1500-24/44W-840-MD	10	15
531000013500	WP-C2 L1500-44/56W-840	10	15
531000014100	WP-C2 L1500-56W-840-DALI	10	15
531000014700	WP-C2 L1500-56W-840-BLE2	10	15
531000015300	WP-C2 L1500-44/56W-840-MD	10	15



Power Selection



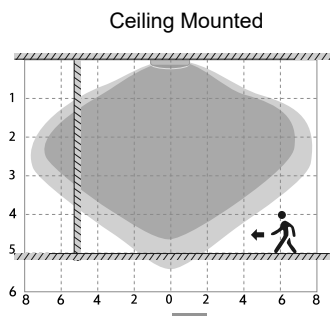
Item Code	Model	Power Selection
531000013000	WP-C2 L600-10/18W-840	10W / 18W
531000014800	WP-C2 L600-10/18W-840-MD	10W / 18W
531000013200	WP-C2 L1200-18/36W-840	18W / 36W
531000015000	WP-C2 L1200-18/36W-840-MD	18W / 36W
531000013400	WP-C2 L1500-24/44W-840	24W / 44W
531000015200	WP-C2 L1500-24/44W-840-MD	24W / 44W
531000013500	WP-C2 L1500-44/56W-840	44W / 56W
531000015300	WP-C2 L1500-44/56W-840-MD	44W / 56W

Sensor

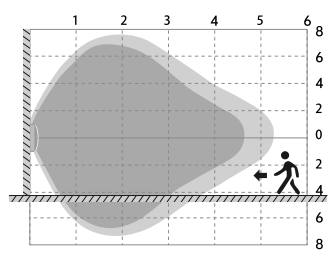
Detection Patterns



Mounting Height



Wall Mounted



Mounting Height

Well Detected Area Possibly Detected Area

Highest mounting height is 4.5m
This figure indicates the maximum distance at the highest mounting height with 100% sensitivity.

DIP Switch Setting



Detection Area	Hold-Time	Daylight Threshold	Stand-by period	Stand-by dimming level
I ● 100%	I ● 3 5s	I ● 4 Disable	I ● 5 15min	I ● 6 0%
II ○ 50%	II ○ 1min	II ○ 50Lux	II ○ +∞	II ○ 20%
	III ○ 10min			
	IV ○ 30min			

Stand-by dimming level

The definition of low output in the standby period.

Stand-by period

The period of light keeping low output before it's complete! switched off. When it's preset as "∞", the light always keep at low output if no movement in the detection area and doesn't turn off.

Daylight Threshold

Definition of the ambient brightness; only when the ambient brightness is lower than the preset specific lux amount, the sensor will work; when it's preset as "disable", the sensor works everytime it detects motion regardless the ambient brightness.

Hold-Time

The period of light keeping 100% brightness after moving objects leave the detection area.

Detection Area

In this area, movement will be detected and able to trigger the sensor. 100% detection area is also known as the strong sensitivity.

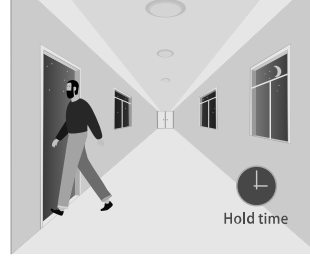
1. Automatically ON/OFF function



With sufficient daylight, even when motion detected, light remains OFF.



With insufficient daylight, the sensor turns light ON when motion gets detected.



The sensor turns OFF light automatically after the holdtime when there's no motion detected.

2. Daylight Disable

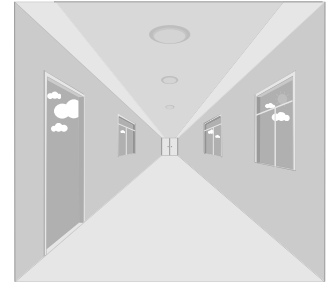
When daylight threshold is preset as "disable", the sensor turns light ON when motion gets detected, and OFF after hold-time.



The sensor turns light ON when motion gets detected.



The sensor keeps light ON for holdtime period after motion leaves.



The sensor turns OFF light automatically after the holdtime.

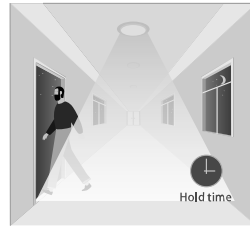
3. Corridor Function, Bi-level Dimmable



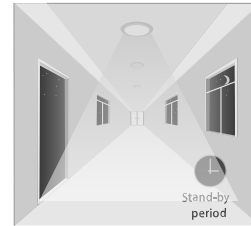
With sufficient daylight, the sensor keeps light OFF even motion gets detected.



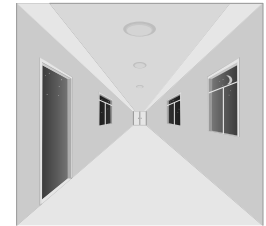
With insufficient daylight, the sensor turns light ON when motion gets detected.



After there's no motion detected, the sensor keeps light ON 100% for holdtime.



After holdtime, sensor dims light to standby dimming level for standby period.



The sensor turns OFF light automatically after the standby period when there's no motion detected.

Application Environment

1. Suitable for indoor installation to avoid false triggering due to external factors such as rain, wind or tree swing.
2. Shall not be installed in the place with all four metal shelters and small space (such as galvanized-iron roof).
3. Shall note be mounted installation, so as to avoid false trigger caused by the lamp itself shaking.
4. Shall not be installed next to large operating machines such as ventilator/ceil-ing fan to avoid false triggering caused by machine vibration.
5. The sensor might be unwanted triggered in rooms that are small, or mostly filled with metal materials; please try to decrease sensitivity when it happens or contact us for support.
6. For 5.8G sensor: Operating frequency: 5725-5875MHz, Max transmitting power: <0dBm
For Bluetooth: Operating frequency: 2402-2480MHz, Max transmitting power: <+10dBm

Radio Frequency Interface Requirements – Related to European installation

Note: This equipment has been tested and found to comply with the limits for a EN 300 440 v2.1.1 receiver Category 3. These limits are designed to provide reasonable protection against harmful interference in a residential installation. When placed in the vicinity of other device(s) radiating in the 5.8GHz ISM band this device will inadvertently trigger on. Please take appropriate measure to mitigate this eventuality.



Caution: Any operation on LED module is forbidden while power-on.
Zur Vermeidung von Risiken müssen defekte Leitungen ausschließlich vom Hersteller, Inverkehrbringer oder Fachmann ausgetauscht werden.



Achtung: In betrieb ist keine Arbeit am LED-Modul erlaubt.
For non-user replaceable light sources:
The light source contained in this luminaire shall only be replaced by the manufacture or his service agent or a similar qualified person.



Für nicht vom Benutzer austauschbare Lichtquellen:
Die in dieser Leuchte enthaltene Lichtquelle darf nur vom Hersteller oder seinem Servicevertreter oder einer ähnlich qualifizierten Person ausgetauscht werden.
For use in environments where normal non-conductive/conductive dust accumulation may be expected, not for use in environments with expected high/unusual dust accumulation.
Zur Verwendung in Umgebungen, in denen mit normaler nichtleitender/leitender Staubansammlung zu rechnen ist, nicht zur Verwendung in Umgebungen mit zu erwartender hoher/ungewöhnlicher Staubansammlung.

