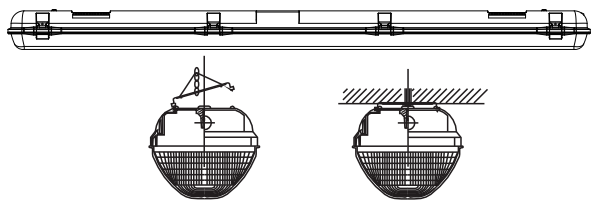
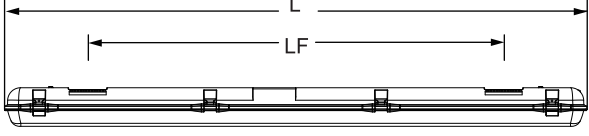
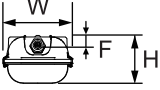
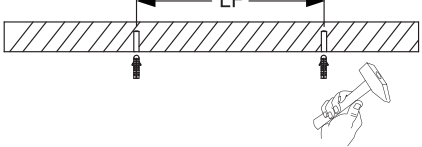


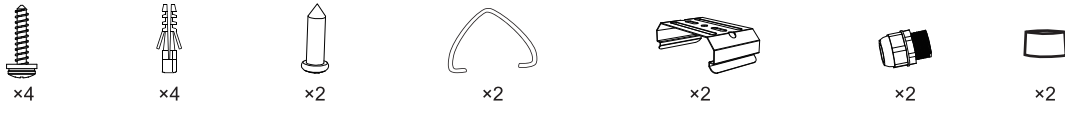
LED Waterproof Classic MD

Item Code	CCT	kg
531000003900	4000K	2.01kg
531000003800	4000K	2.01kg
531000003700	4000K	2.39kg
531000003600	4000K	2.39kg

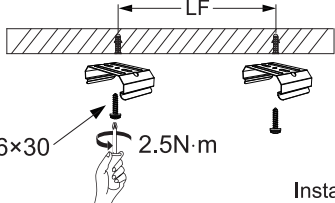
Model	L (mm)	LF (mm)	W (mm)	H (mm)	F (mm)	Rated Power	Max total luminaires connected using external 1.5mm ² wire	Max total luminaires connected using external 2.5mm ² wire
LED WP-CLA-E L1250-20W-MD	1260	900	127	86	22	20W	56	90
LED WP-CLA-E L1250-43W-MD	1260	900				43W	21	34
LED WP-CLA-E L1550-29W-MD	1560	1200				29W	26	50
LED WP-CLA-E L1550-53W-MD	1560	1200				53W	20	34

Components

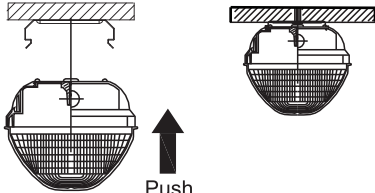


Components included in the packaging inside the components box.

Surface Mounting

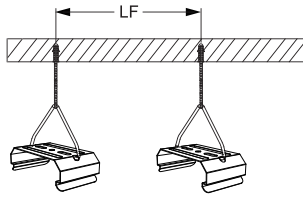
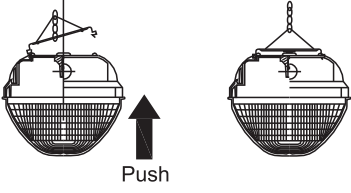


ST6x30 2.5N·m Installation Screw ST6x30



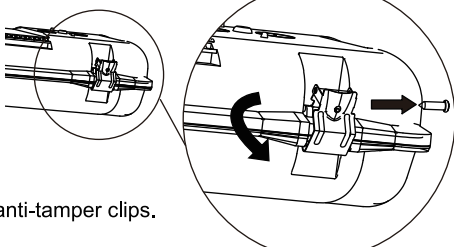
Push

Suspension Mounting

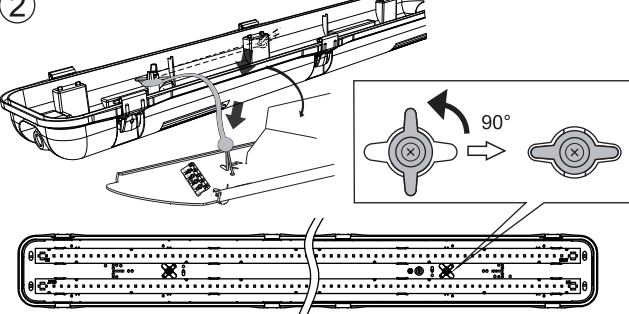
Push

①



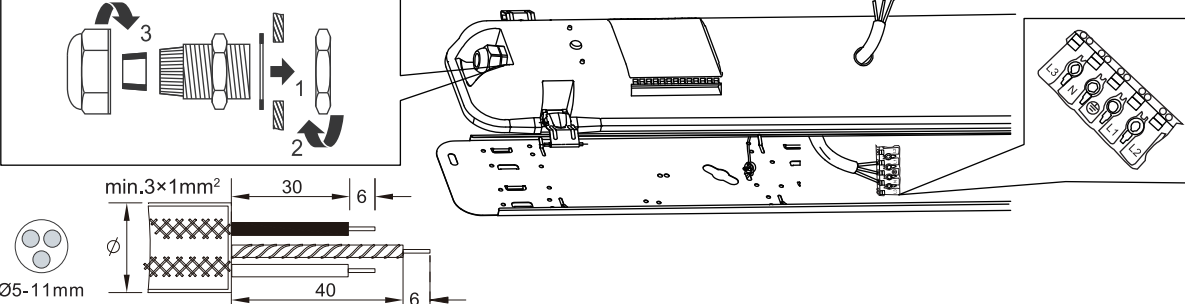
- Screw out the anti-tamper clips.
- Open the clip.
- Open the luminaire and take out the LED module plate to find the accessories bag.

②



90°

③



min. 3x1mm² 30 6 40 6

Ø5-11mm

4 Sensor connection

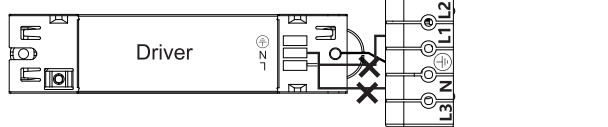
The Sensor Connection instruction only applies to situations where sensor modules need to be installed manually.

Step 1 - Wiring connection.



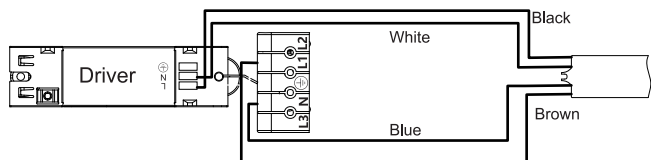
Step 3 - Wiring connection.

Disconnect the blue and brown wires between the driver and luminaire connector.

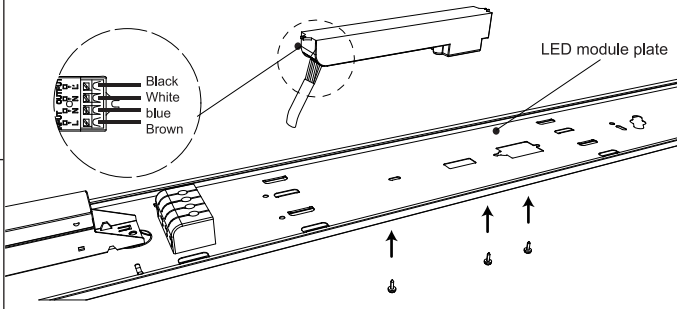


Step 4 - Wiring connection.

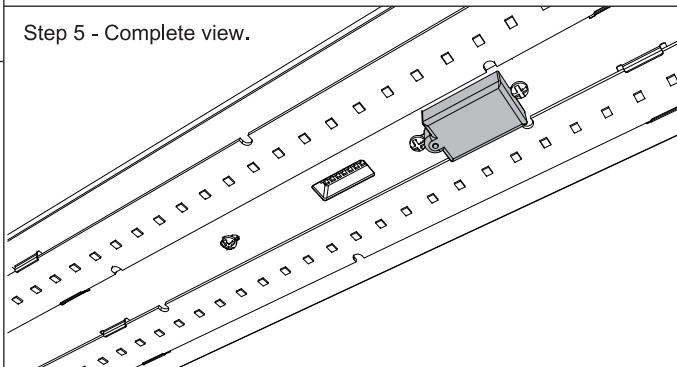
- 1) Connect the sensor to the luminaire connector:
Blue wire with N, Brown wire with L1
- 2) Connect the sensor to the driver:
White wire with N, Black wire with L



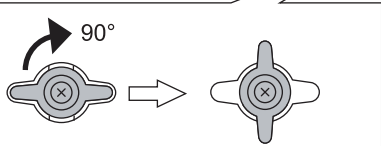
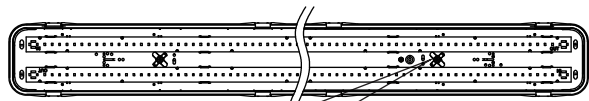
Step 2 - Sensor fixing.



Step 5 - Complete view.

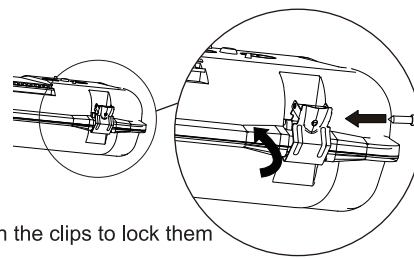


5



Rotate the plastic holder to fix the lamp plate.

1. Close the optical cover;
2. Lock the clips;
3. Then tighten the clips;
4. Place and fasten the screws in the clips to lock them (tightening torque: 1.2-1.9 N·M)



Sensor Setting

By selecting the combination on the DIP switch, sensor data can be precisely set for each specific application.

Detection Area (Sensitivity)			
	1	2	
I	ON	ON	100%
II	-	ON	75%
III	ON	-	50%
IV	-	-	25%

Detection area can be reduced by selecting the combination on the DIP switches to precisely fit each application.

Hold time				
	3	4	5	
I	ON	ON	ON	5S
II	-	ON	ON	30S
III	ON	-	ON	90S
IV	-	-	ON	3min
V	ON	ON	-	20min
VI	-	-	-	30min

Refers to the time-period the luminaire remains at 100% illumination after no motion detected.

Daylight sensor				
	6	7	8	
I	ON	ON	ON	2Lux
II	ON	ON	-	10Lux
III	-	ON	-	25Lux
IV	ON	-	-	50Lux
V	-	-	-	Disable*

The sensor can be set to only allow the luminaire to illuminate below a defined ambient brightness threshold. When set to Disable mode, the daylight sensor will switch on the luminaire when motion is detected regardless of ambient light level.
50lux, 25lux: twilight operation; 10lux, 2lux: darkness operation only.

*Disable means the daylight sensor does not work. The sensor will turn on light once motion is detected regardless of ambient light level.



Caution: Any operation on LED module is forbidden while power-on.
Zur Vermeidung von Risiken müssen defekte Leitungen ausschließlich vom Hersteller, Inverkehrbringer oder Fachmann ausgetauscht werden.
Achtung: In Betrieb ist keine Arbeit am LED-Modul erlaubt.



For non-user replaceable light sources:
The light source contained in this luminaire shall only be replaced by the manufacturer or his service agent or a similar qualified person. Otherwise the whole luminaire shall be replaced.
Das Leuchtmittel dieser Leuchte ist nicht austauschbar. Wenn das Leuchtmittel das Ende seiner Lebensdauer erreicht hat, muss die gesamte Leuchte ersetzt werden.



For use in environments where normal non-conductive/conductive dust accumulation may be expected, not for use in environments with expected high/unusual dust accumulation.



OPPLE Lighting B.V.
Meerenakkerweg 1.11
5652 AR Eindhoven
The Netherlands
service@opple.com
www.opple.com

Data subject to change
Les données sont sujettes à modifications
Änderungen vorbehalten

Opplle Lighting Electronic (Zhongshan) Co., Ltd.
Building A, No.275 Dongan Bei Road, Haizhou District,
Guzhen Town, Zhongshan City, Guangdong, China.