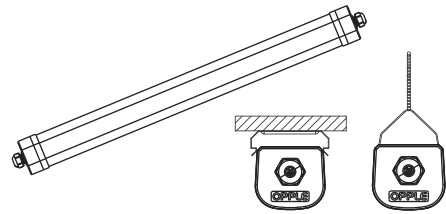
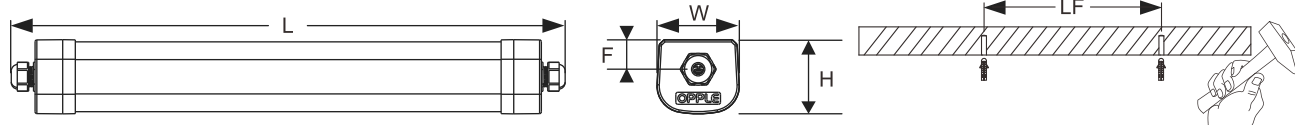


LED Waterproof Ecomax G2

Item Code	CCT	kg	Item Code	CCT	kg
543022012600	4000K	0.61kg	543022012200	6500K	0.92kg
543022012500	4000K	0.61kg	543022012100	4000K	1.17kg
543022012400	4000K	0.92kg	543022012000	4000K	1.17kg
543022012300	4000K	0.92kg	543022011900	6500K	1.17kg

Model	L (mm)	W (mm)	H (mm)	F (mm)	LF (mm)	Rated Voltage	Frequency	Power Factor	Rated Power	Max luminaires connected in line using external 1.5mm ² wire	Max luminaires connected in line using external 2.5mm ² wire
LED WP-E2 L680-10W	680	62	56	22	350	220-240V~	50/60Hz	0.9	10W	48	81
LED WP-E2 L680-20W	680				20W				24	40	
LED WP-E2 L1260-18W	1260				18W				26	45	
LED WP-E2 L1260-37W	1260				37W				13	21	
LED WP-E2 L1540-27W	1540				27W				17	30	
LED WP-E2 L1540-50W	1540				50W				9	16	

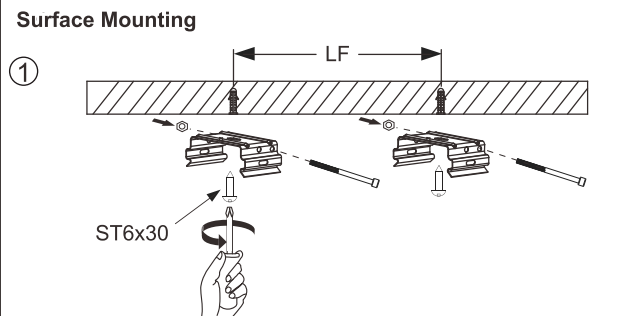
Light Source

Product Code	Product Description	N	Light source code(QR Code)	Energy Label
543022012600 (LS071001015)	LEDWaterproof-E2 L680-10W-4000	1		
543022012500 (LS071002015)	LEDWaterproof-E2 L680-20W-4000	1		
543022012400 (LS071001815)	LEDWaterproof-E2 L1260-18W-4000	1		
543022012100 (LS071002715)	LEDWaterproof-E2 L1540-27W-4000	1		
543022012300 (LS071003715)	LEDWaterproof-E2 L1260-37W-4000	1		
543022012200 (LS071003719)	LEDWaterproof-E2 L1260-37W-6500	1		
543022012000 (LS071005015)	LEDWaterproof-E2 L1540-50W-4000	1		
543022011900 (LS071005019)	LEDWaterproof-E2 L1540-50W-6500	1		

* This product contains a light source of energy efficiency class (D).

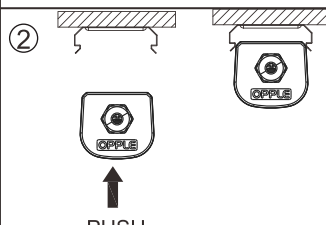
Installation

Surface Mounting

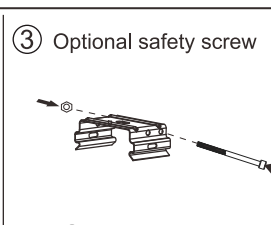


①

ST6x30



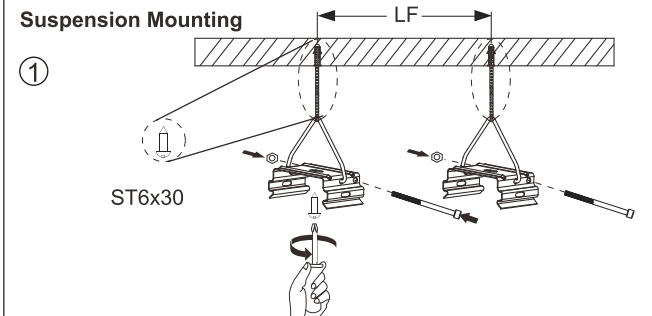
② PUSH



③ Optional safety screw

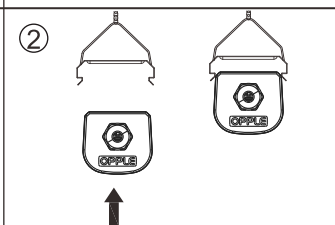
⊙ Hex screw: 4x55

Suspension Mounting

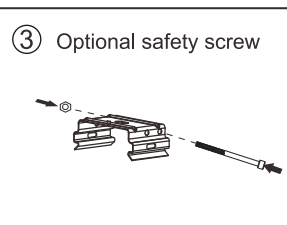


①

ST6x30



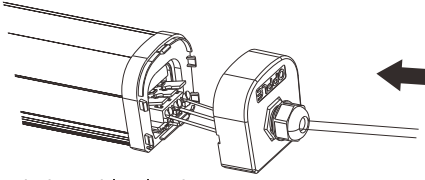
② PUSH



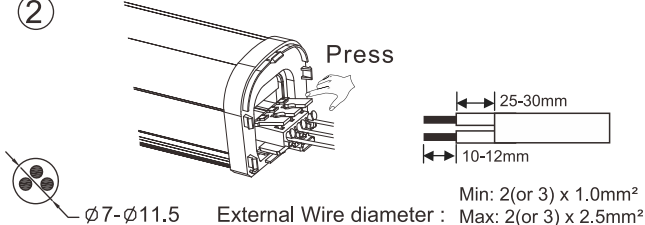
③ Optional safety screw

⊙ Hex screw: 4x55

Wiring

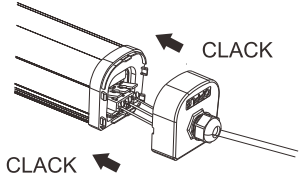
① 

Put wire through the cable gland

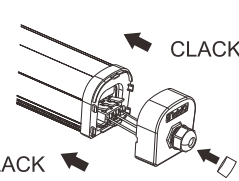
② 

Press

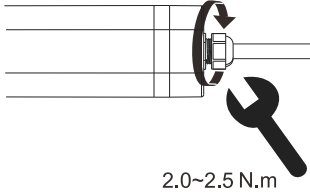
External Wire diameter : Min: 2(or 3) x 1.0mm² Max: 2(or 3) x 2.5mm²

③ 

CLACK

④ 

CLACK

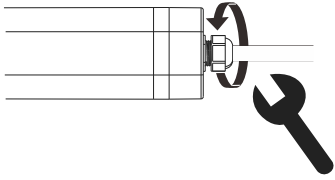
⑤ 

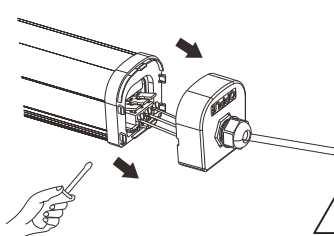
2.0~2.5 N.m

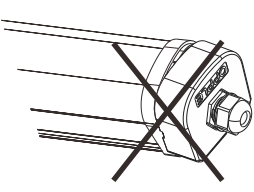
⚠ IP65 rating can only be guaranteed with properly tightened glands and properly closed endcaps.

⚠ Add the rubber boot when through wiring is not required

To reopen the luminaire

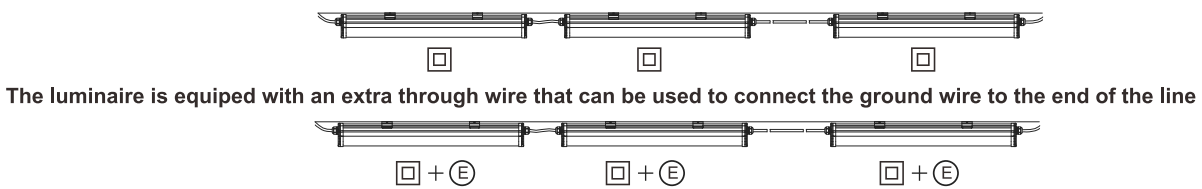
① 

② 

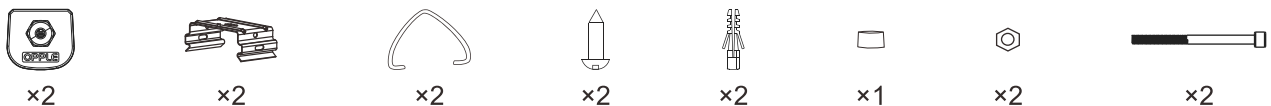
③ 

⚠ DO NOT TWIST THE ENDCAP TO OPEN

LUMINAIRE IS ELECTRICAL PROTECTION CLASS II, GROUND WIRING IS NOT MANDATORY



Components



Components included in the packaging inside the components box.



Caution: Any operation on LED module is forbidden while power-on.
Zur Vermeidung von Risiken müssen defekte Leitungen ausschließlich vom Hersteller, Inverkehrbringer oder Fachmann ausgetauscht werden.
Achtung: In betrieb ist keine Arbeit am LED-Modul erlaubt.



For non-user replaceable light sources:
The light source contained in this luminaire shall only be replaced by the manufacturer or his service agent or a similar qualified person.
Für nicht vom Benutzer austauschbare Lichtquellen:
Die in dieser Leuchte enthaltene Lichtquelle darf nur vom Hersteller oder seinem Servicevertreter oder einer ähnlich qualifizierten Person ausgetauscht werden.



For use in environments where normal non-conductive/conductive dust accumulation may be expected, not for use in environments with expected high/unusual dust accumulation.

Zur Verwendung in Umgebungen, in denen mit normaler nichtleitender/leitender Staubansammlung zu rechnen ist, nicht zur Verwendung in Umgebungen mit zu erwartender hoher/ungewöhnlicher Staubansammlung.



Opplé Lighting Electronic (Zhongshan) Co.,Ltd.
Building A, No.275 Dongan Bei Road,
Haizhou District, Guzhen Town, Zhongshan City,
Guangdong Province,
P.R.China

Opplé Lighting B.V.
Meerenakkerweg 1-07
5652 AR Eindhoven
The Netherlands
service@opple.com
www.opple.com

Data subject to change

Les données sont sujettes à modifications
Änderungen vorbehalten