



## Spot Round Adjustable HQ

- Attractive tiltable recessed spotlight with comfortable light beam
- Unique light mixing technique and optics design, UGR16
- Good beam orientation adjustment, providing great flexibility



## Specifications

| Item Code        | Item Description                      | Equivalent to (W) | Power (W) | Lumen | Efficacy (lm/W) | CCT (K) | Degree of protection (IP) | Weight (kg/pc) |
|------------------|---------------------------------------|-------------------|-----------|-------|-----------------|---------|---------------------------|----------------|
| Dimmable (Triac) |                                       |                   |           |       |                 |         |                           |                |
| 140061281        | LEDSpotRA HQ2 8W-Dim-2700-40D-WH-IP44 | Halogen 50W       | 8         | 640   | 80              | 2700    | IP44                      | 0.40           |

## Accessories



542098030700  
Junction-Box-WH



821017003600  
LEDSmart-BLE2-Relay-250W-DIM

## Packaging Information

| Item         |                                       |            | Box                     |                   |               |        |
|--------------|---------------------------------------|------------|-------------------------|-------------------|---------------|--------|
| Item Code    | Item Description                      | EU HS Code | Dimensions (mm) (LxWxH) | Gross Weight (kg) | EAN           | pc/box |
| 140061281    | LEDSpotRA HQ2 8W-Dim-2700-40D-WH-IP44 | 94051190   | 107x107x96              | 0.48              | 6956321896027 | 1      |
| 542098030700 | Junction-Box-WH                       | 85369010   | 43x103.4x26             | 0.06              | 6941408868684 | 1      |
| 821017001200 | LEDSmart-BLE-Relay-250W-DIM           | 94059200   | 90x40x30                | 0.08              | 6941408898469 | 1      |
| 821017003600 | LEDSmart-BLE2-Relay-250W-DIM          | 94059200   | 90x40x30                | 0.09              | 6931783007594 | 1      |

| Technical Specifications     |               |
|------------------------------|---------------|
| Lifetime (L70)               | 50,000 h      |
| Lifetime (L80)               | 30,000 h      |
| On-/Off-cycles               | 100,000       |
| Colour consistency (SDCM)    | 3.4           |
| Dimmability                  | Triac         |
| Beam angle                   | 40°           |
| Maximum tilt angle           | 23°           |
| Finishing                    | White RAL9003 |
| Colour rendering index (CRI) | > 80          |
| UGR                          | ≤ 16          |
| Impact strength              | IK02          |
| Protection class             | II            |
| Risk group (EN 62471)        | RG0           |
| With control gear            | Yes           |
| Glow wire test               | 850°C         |
| Power factor                 | ≥ 0.9         |

| Electrical Supply |  |
|-------------------|--|
| Frequency         | 50/60 Hz   |
| Nominal voltage   | 220-240 V  |
| DC input voltage  | See catalogue appendix Connection Specifications |
| 230V Cable length | 0.3 m  |

| Mechanical Properties |                          |
|-----------------------|--------------------------|
| Housing material      | Aluminum + Polycarbonate |
| Optical material      | Dome shape               |

| Ambient Conditions      |           |
|-------------------------|-----------|
| Operating temperature   | -10-+40°C |
| Application temperature | +25°C     |
| Storage environment     | -25-+50°C |



**ENERGY**

OPPLE Lighting  
140061281

A  
B  
C  
D  
E  
F  
G

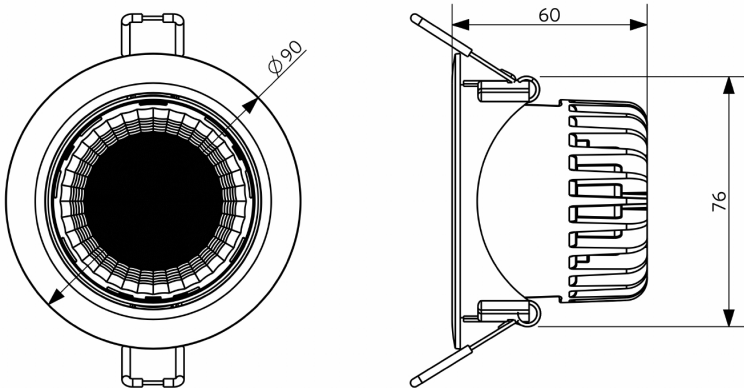
**F**

8 kWh/1000h

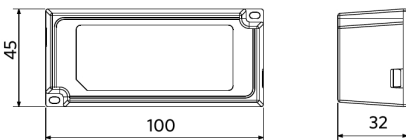
2019/2015

## Dimensional Drawing (mm)

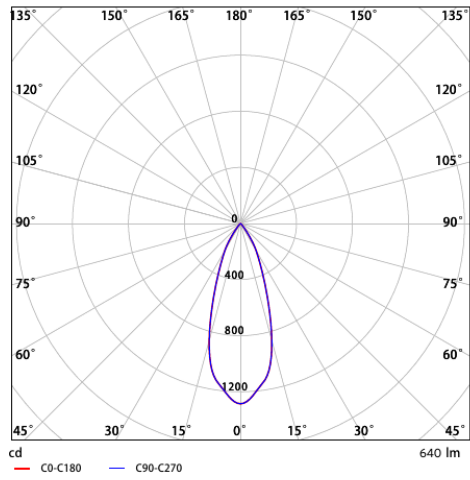
LEDspotRA HQ2



LEDspotRA HQ2  
Driver



## Photometric Data



## Installation Opening Drawing (mm)

LEDspotRA-HQ  
LEDspotRA HQ2  
Ø80

