



Module Clio G2

- Fits well in slim ceiling luminaires
- Easy and flexible installation
- Shadow free, homogeneous light diffusion
- Integrated driver
- Including magnets and connection box
- Daylight and motion sensor accessory available

Specifications

Item Code	Item Description	Equivalent to (W)	Power (W)	Lumen	Efficacy (lm/W)	CCT (K)	Weight (kg/pc)
On-Off							
140066574	LED E C module 12W 4000K Clio CT	GLS 75W		1400	117	4000	0.10

Accessories



140060553
LED Module sensor CT

Packaging Information

Item			Box			
Item Code	Item Description	EU HS Code	Dimensions (mm) (LxWxH)	Gross Weight (kg)	EAN	pc/box
140066574	LED E C module 12W 4000K Clio CT	94054239	134x31x135	0.15	6945730430663	1
140060553	LED Module sensor CT	85365005	40x35x80	0.06	6945730491732	1

Technical Specifications	
Lifetime (L70)	30,000 h
Lifetime (L80)	20,000 h
On-/Off-cycles	100,000
Dimmability	On-Off
Beam angle	150°
Colour rendering index (CRI)	> 80
Degree of protection (IP)	IP20
Protection class	II
With control gear	Yes

Electrical Supply	
Frequency	50/60 Hz
Nominal voltage	220-240 V
DC input voltage	No
230V Cable length	0.3 m

Ambient Conditions	
Operating temperature	-20-+40°C
Application temperature	+25°C
Storage environment	-25-+50°C



ENERGY
 OPPLE Lighting
 140066574

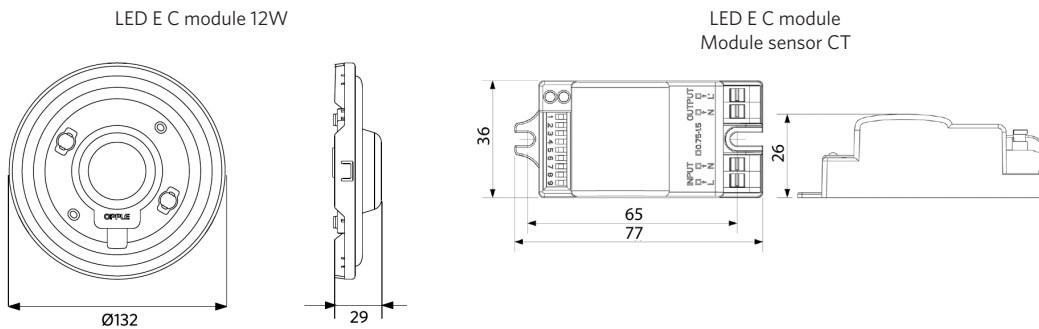
A
 B
 C
 D
 E
 F
 G

E

12
 kWh/1000h

2019/2015

Dimensional Drawing (mm)



Photometric Data

