



Ceiling Light Apollo

- Professional wall/ceiling luminaire with comfortable diffused light
- Easy installation on wall or ceiling
- Bracket accessory available for easy mounting on existing installations (no new screw holes needed)
- Module Clio inside
- Uniform, diffused light, creating a pleasant atmosphere
- IP44 versions also suitable for bathrooms and comparable spaces



Specifications

Item Code	Item Description	Equivalent to (W)	Power (W)	Lumen	Efficacy (lm/W)	CCT (K)	Degree of protection (IP)	Weight (kg/pc)
Dimmable (Triac)								
520021000700	LED HC350 22W DIM 2700K IP44 Apollo	GLS 100W	22	1955	89	2700	IP44	0.64

Accessories



520098000200
LED Apollo HC300 bracket

520098001800
LED Apollo HC350
bracket

821017003600
LEDSmart-BLE2-Relay-250W-DIM

Packaging Information

Item			Box			
Item Code	Item Description	EU HS Code	Dimensions (mm) (LxWxH)	Gross Weight (kg)	EAN	pc/box
520021000700	LED HC350 22W DIM 2700K IP44 Apollo	94051190	376x115x378	1.35	6956321818654	1
520098000200	LED Apollo HC300 bracket	94059900	234x86x49	0.16	6956321815387	1
520098001800	LED Apollo HC350 bracket	94059900	260x53x271	0.32	6941497706614	1
821017001200	LEDSmart-BLE-Relay-250W-DIM	94059200	90x40x30	0.08	6941408898469	1
821017003600	LEDSmart-BLE2-Relay-250W-DIM	94059200	90x40x30	0.09	6931783007594	1

Technical Specifications	
Lifetime (L70)	30,000 h
Lifetime (L80)	20,000 h
On-/Off-cycles	100,000
Dimmability	Triac
Beam angle	120°
Finishing	White RAL9003
Colour rendering index (CRI)	> 80
Impact strength	IK03
Protection class	I
Risk group (EN 62471)	RG0
With control gear	Yes

Electrical Supply	
Frequency	50/60 Hz
Nominal voltage	220-240 V
DC input voltage	No

Mechanical Properties	
Housing material	Steel
Optical material	Polycarbonate

Ambient Conditions	
Operating temperature	-20-+45°C
Application temperature	+25°C
Storage environment	-25-+50°C



ENERGY

OPPLE Lighting
520021000700

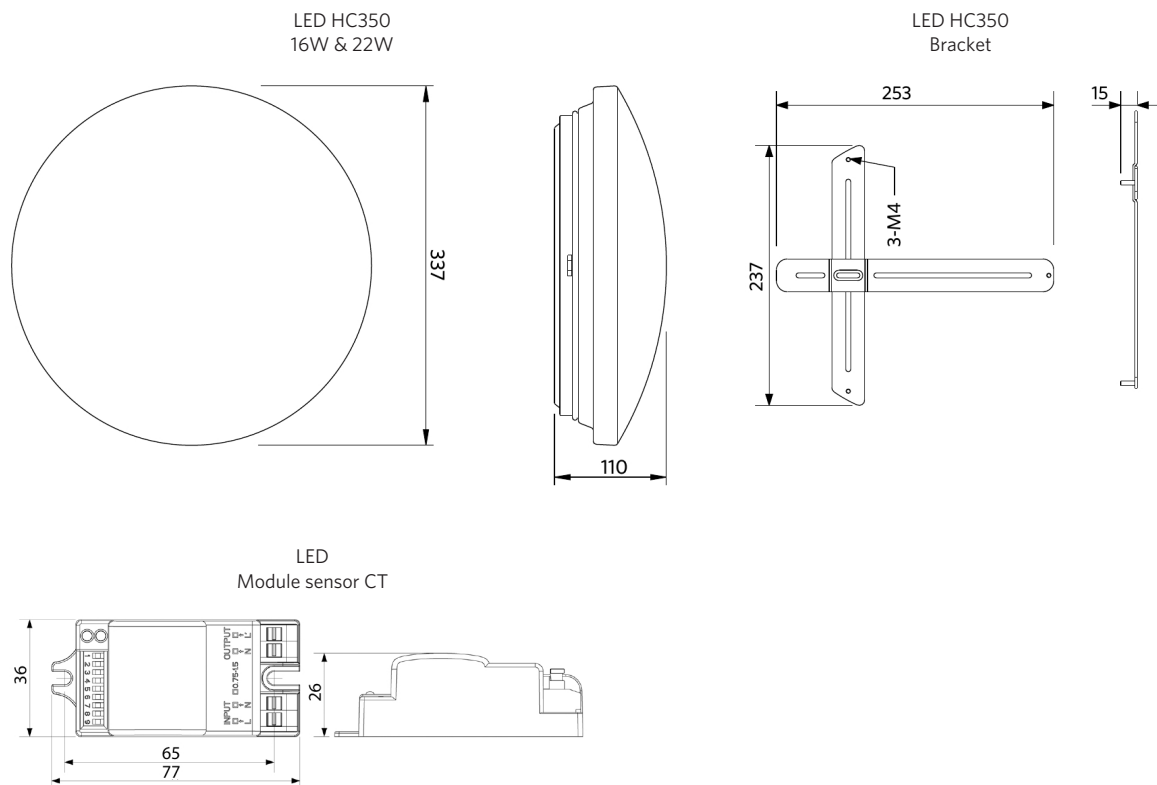
A
B
C
D
E
F
G

F

22 kWh/1000h

2019/2015

Dimensional Drawing (mm)



Photometric Data

