



## Ceiling Light Apollo

- Professional wall/ceiling luminaire with comfortable diffused light
- Easy installation on wall or ceiling
- Bracket accessory available for easy mounting on existing installations (no new screw holes needed)
- Module Clío inside
- Uniform, diffused light, creating a pleasant atmosphere
- IP44 versions also suitable for bathrooms and comparable spaces



## Specifications

Item Code	Item Description	Equivalent to (W)	Power (W)	Lumen	Efficacy (lm/W)	CCT (K)	Degree of protection (IP)	Weight (kg/pc)
Dimmable (Triac)								
520021000800	LED HC350 22W DIM 4000K IP44 Apollo	GLS 100W	22	2040	93	4000	IP44	0.64

## Accessories



520098000200  
LED Apollo HC300 bracket

520098001800  
LED Apollo HC350  
bracket

821017003600  
LEDSmart-BLE2-Relay-250W-DIM

## Packaging Information

Item			Box			
Item Code	Item Description	EU HS Code	Dimensions (mm) (LxWxH)	Gross Weight (kg)	EAN	pc/box
520021000800	LED HC350 22W DIM 4000K IP44 Apollo	94051190	376x115x378	1.35	6956321818647	1
520098000200	LED Apollo HC300 bracket	94059900	234x86x49	0.16	6956321815387	1
520098001800	LED Apollo HC350 bracket	94059900	260x53x271	0.32	6941497706614	1
821017001200	LEDSmart-BLE-Relay-250W-DIM	94059200	90x40x30	0.08	6941408898469	1
821017003600	LEDSmart-BLE2-Relay-250W-DIM	94059200	90x40x30	0.09	6931783007594	1

Technical Specifications	
Lifetime (L70)	30,000 h
Lifetime (L80)	20,000 h
On-/Off-cycles	100,000
Dimmability	Triac
Beam angle	120°
Finishing	White RAL9003
Colour rendering index (CRI)	> 80
Impact strength	IK03
Protection class	I
Risk group (EN 62471)	RG0
With control gear	Yes

Electrical Supply	
Frequency	50/60 Hz
Nominal voltage	220-240 V
DC input voltage	No

Mechanical Properties	
Housing material	Steel
Optical material	Polycarbonate

Ambient Conditions	
Operating temperature	-20-+45°C
Application temperature	+25°C
Storage environment	-25-+50°C



**ENERGY**

OPPLE Lighting  
520021000800

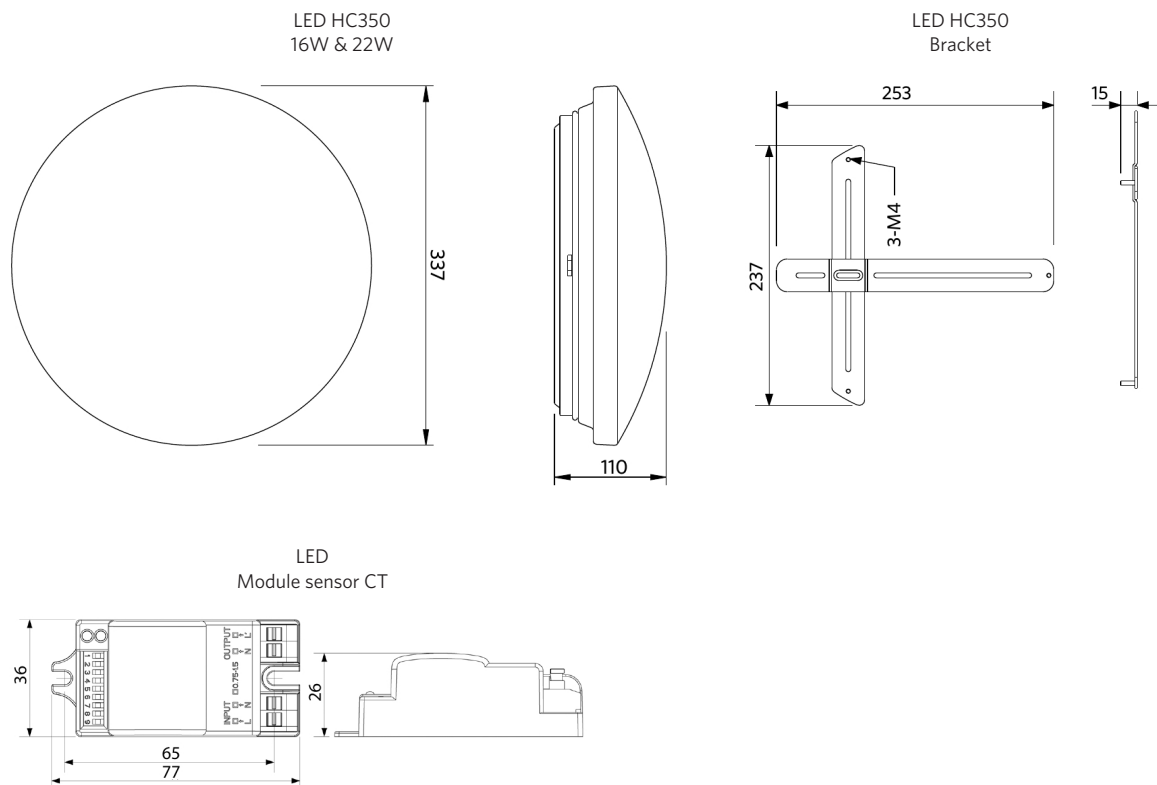
A  
B  
C  
D  
E  
F  
G

**F**

22  
kWh/1000h

2019/2015

## Dimensional Drawing (mm)



# Photometric Data

