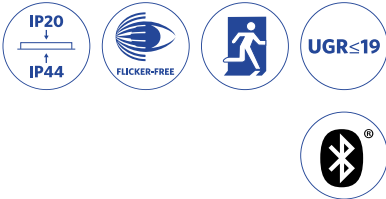




**Downlight Performer HG**

- Advanced high quality LED downlight
- Unique optical lens concept with high gloss (HG) reflector and low glare
- Low luminaire height (max 73mm)
- Direct replacement for compact fluorescent downlights
- IP44 on light emitting side
- Provided with protective foil in order to protect the optics against dust and dirt during the installation



**Specifications**

| Item Code    | Item Description                      | Equivalent to (W) | Power (W) | Lumen | Efficacy (lm/W) | UGR | CCT (K) | Colour rendering index (CRI) | Weight (kg/pc) |
|--------------|---------------------------------------|-------------------|-----------|-------|-----------------|-----|---------|------------------------------|----------------|
| Smart        |                                       |                   |           |       |                 |     |         |                              |                |
| 540001334700 | LEDDownlightRc-P-HG R200-23W-BLE2-940 | CFL 2x26W         | 23        | 2530  | 110             | ≤19 | 4000    | > 90                         | 0.84           |

**Accessories**



140060647  
LEDDownlightRc-P-SI-E-Adapter-200-225



140061243  
LEDDownlightRc-P-R200-Surface-Module-WH



549098001300  
LEDDownlightRc-P EM-kit 1h

549098001400  
LEDDownlightRc-P EM-kit 3h



542098030700  
Junction-Box-WH

## Packaging Information

| Item         |   |            | Box                        |                   |               |        |
|--------------|---|------------|----------------------------|-------------------|---------------|--------|
| Item Code    | Item Description                        | EU HS Code | Dimensions (mm)<br>(LxWxH) | Gross Weight (kg) | EAN           | pc/box |
| 540001334700 | LEDDownlightRc-P-HG R200-23W-BLE2-940   | 94051190   | 260x260x118                | 1.21              | 6931783010488 | 1      |
| 140060647    | LEDDownlightRc-P-SI-E-Adapter-200-225   | 94059900   | 250x250x0.8                | 0.23              | 6956321894139 | 1      |
| 140060648    | LEDDownlightRc-P-SI-E-Adapter-200-250   | 94059900   | 275x275x0.8                | 0.20              | 6956321894146 | 1      |
| 140061243    | LEDDownlightRc-P-R200-Surface-Module-WH | 94059900   | 277x277x240                | 2.66              | 6956321841416 | 1      |
| 542098030700 | Junction-Box-WH                         | 85369010   | 43x103.4x26                | 0.06              | 6941408868684 | 1      |
| 549098001300 | LEDDownlightRc-P EM-kit 1h              | 85044083   | 490x390x150                | 0.98              | 6941497709592 | 1      |
| 549098001400 | LEDDownlightRc-P EM-kit 3h              | 85044083   | 490x390x150                | 1.08              | 6941497709585 | 1      |
| 560098000600 | LEDSmart-Sensor Surface-Module-WH       | 94059200   | 330x220x255                | 0.15              | 6941497703972 | 1      |
| 821006001800 | LEDSmart-BLE2-Rc-MW-Sensor              | 85365005   | 100x100x130                | 0.19              | 6941497778277 | 1      |
| 821006002000 | LEDSmart-BLE2-Rc-PIR-Sensor             | 85365005   | 100x100x70                 | 0.19              | 6941497778260 | 1      |
| 821009000200 | LEDSmart-BLE2-Switch                    | 85365005   | 89x21x101                  | 0.10              | 6941497778253 | 1      |
| 821011002600 | LEDSmart-BLE2-DALI-Connect-Box          | 85176200   | 100x60x105                 | 0.30              | 6941497778291 | 1      |
| 821017003400 | LEDSmart-BLE2-Multi-Switch-Module       | 94059200   | 46x46x30                   | 0.07              | 6931783007600 | 1      |
| 821017003800 | LEDSmart-BLE2-Relay-1000W               | 85364900   | 110x57x37                  | 0.10              | 6941497778284 | 1      |

### Technical Specifications

|                           |                       |
|---------------------------|-----------------------|
| Lifetime (L70)            | 70,000 h              |
| Lifetime (L80)            | 50,000 h              |
| On-/Off-cycles            | 100,000               |
| Colour consistency (SDCM) | 3                     |
| Dimmability               | BLE2                  |
| Beam angle                | 70°                   |
| Finishing                 | White RAL9003         |
| IP front side             | IP44                  |
| IP recessed part          | IP20                  |
| Impact strength           | IK02                  |
| Protection class          | II                    |
| Risk group (EN 62471)     | RG0 / RG1 (23W & 33W) |
| With control gear         | Yes                   |
| Glow wire test            | 650°C                 |
| Power factor              | ≥ 0.9                 |

### Electrical Supply

|                   |                           |
|-------------------|---------------------------|
| Frequency         | 50/60 Hz                  |
| Nominal voltage   | 220-240 V                 |
| DC input voltage  | See catalogue appendix    |
|                   | Connection Specifications |
| 230V Cable length | 0.3 m                     |

### Mechanical Properties

|                  |                     |
|------------------|---------------------|
| Housing material | Die-casted Aluminum |
| Optical material | Polycarbonate       |

### Ambient Conditions

|                         |           |
|-------------------------|-----------|
| Operating temperature   | -10-+40°C |
| Application temperature | +25°C     |
| Storage environment     | -25-+50°C |



OPPLE Lighting  
540001334700

|   |   |
|---|---|
| A | → |
| B | → |
| C | → |
| D | → |
| E | ← |
| F | → |
| G | → |

**23**  
kWh/1000h

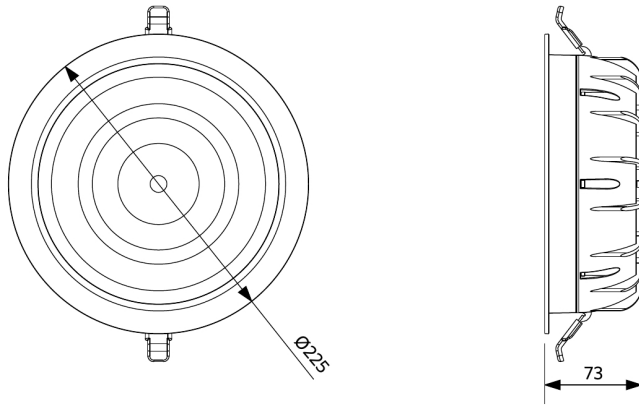
2019/2015

## Dimensional Drawing (mm)

LEDDownlight Driver



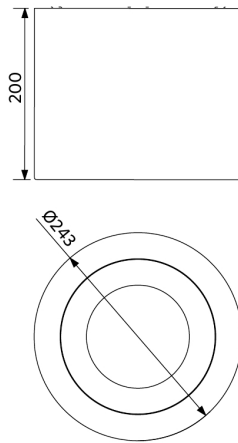
LEDDownlightRc-P-HG R200



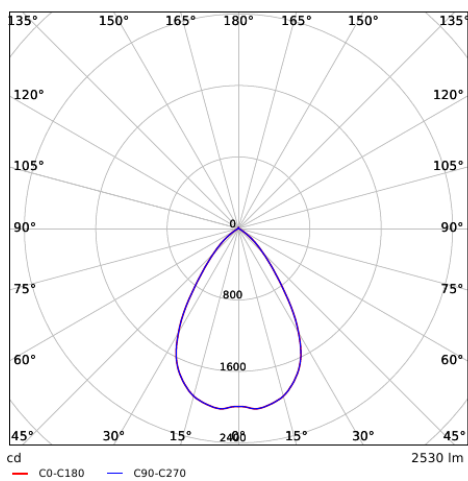
LEDDownlight Driver Tunable White



LEDDownlightRc-P-HG R200  
LEDDownlightRc-P-R200-Surface-Module



## Photometric Data



## Installation Opening Drawing (mm)

LEDDownlightRc-P-HG R200  
Ø200

