

Slim Panel Performer UGR19 G6

- High quality LED Slim Panel, suitable for offices (UGR19)
- Standard IP54 (front side)
- Recessed, suspended and surface mounting possible










Specifications

| Item Code | Item Description | Equivalent to (W) | Power (W) | Lumen | Efficacy (lm/W) | CCT (K) | Colour rendering index (CRI) | Net Weight (pc/kg) |
|--------------|-------------------------------------|-------------------|-----------|-------|-----------------|---------|------------------------------|--------------------|
| DALI2 | | | | | | | | |
| 542003109300 | LEDPanelS-P6 Sq595-30W-DALI-840-U19 | TL 4x18W | 30 | 4200 | 140 | 4000 | > 80 | 2 |

Available on request with Wieland GST18 or WAGO WINSTA connector, or Euro/Schuko plug. DALI2 versions are compatible with central emergency lighting according to EN 50172. BLE versions in surface mounting frames might lead to limited BLE signal strength.

Accessories

| Surface Mounting Frame | | Recessed Mounting Frame | |
|---|---|---|--|
|  |  |  | |
| 140055484 LEDPanelRc-SI Sq600-Surface-Module-WH-CT | 542098017600 LEDPanelRc2 Sq600-Surface-Kit-WH | 542098009600 LEDPanelRc Sq600-Frame-WH | |
|  |  |  |  |
| 140060852 LEDFixture-Ceiling-Cable-Kit-0.5m | 542003021800 LEDPanelRc-S-B2 Mounting-Springs | 542098000800 LEDPanelRC-SI U19 EM-kit 1h | 542098030700 Junction-Box-WH |

Packaging information

| Item | | | Box | | | |
|--------------|--|------------|-------------------------|----------------------|---------------|--------|
| Item Code | Item Description | EU HS Code | Dimensions (mm) (LxWxH) | Gross Weight (pc/kg) | EAN | pc/box |
| 542003109300 | LEDPanelS-P6 Sq595-30W-DALI-840-U19 | 94051190 | 631x41x673 | 2.56 | 6941497774361 | 1 |
| 140055484 | LEDPanelRc-SI Sq600-Surface-Module-WH-CT | 94059900 | 690x690x118 | 4.26 | 6956321879808 | 1 |
| 140057770 | LEDPanelRc-SI-Mounting-Springs-595 | 73209090 | 80x80x53 | 0.50 | 6956321888121 | 1 |
| 140060852 | LEDFixture-Ceiling-Cable-Kit-0.5m | 73121020 | 510x100x10 | 0.40 | 6956321895266 | 1 |
| 542003021800 | LEDPanelRc-S-B2 Mounting-Springs | 73209090 | 280x200x170 | 0.10 | 6941408821672 | 1 |
| 542098000800 | LEDPanelRC-SI U19 EM-kit 1h | 85044083 | 490x390x150 | 0.98 | 6941497702340 | 1 |
| 542098000900 | LEDPanelRC-SI U19 EM-kit 3h | 85044083 | 490x390x150 | 1.08 | 6941497702333 | 1 |
| 542098001000 | LEDTrunking DALI Power Supply | 85044083 | 198x54x39 | 0.24 | 6945730496614 | 1 |
| 542098009600 | LEDPanelRc Sq600-Frame-WH | 94059900 | 688x88x694 | 1.79 | 6941497704061 | 1 |
| 542098017600 | LEDPanelRc2 Sq600-Surface-Kit-WH | 94059900 | 685x77x68 | 1.53 | 6941497720696 | 1 |
| 542098030700 | Junction-Box-WH | 85369010 | 43x103x36 | 0.06 | 6941408868684 | 1 |
| 542098045500 | LEDPanelS-P Suspension-Kit-G6 | 73121020 | 130x130x30 | 0.22 | 6941497784773 | 1 |

Technical Specifications

| | |
|---------------------------------------|---------------|
| Lifetime (L70) | 100,000 h |
| Lifetime (L80) | 70,000 h |
| Lifetime (L90) | 50,000 h |
| On-/Off-cycles | 100,000 |
| Colour consistency (SDCM) | 3 |
| Dimmability | DALI2 |
| Beam angle | 90 ° |
| Finishing | White RAL9003 |
| RAL-Number | 9003 |
| UGR | 19 |
| Ingress protection front side (IP) | IP54 |
| Ingress protection recessed part (IP) | IP20 |
| Impact strength (IK) | IK03 |
| Protection class | II |
| Risk group (EN 62471) | RG0 |
| With control gear | True |
| Glow wire test | 650 °C |
| Driver failure rate (at 5,000 hrs) | ≤ 1 % |
| Power factor | ≥ 0.9 |

Electrical Supply

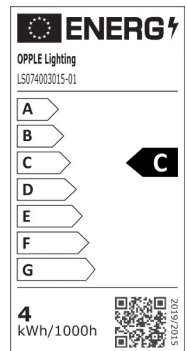
| | |
|-------------------|--|
| Frequency | 50 - 60 Hz |
| Nominal voltage | 220 - 240 V |
| DC input voltage | See catalogue appendix Connection Specifications |
| 230V Cable length | 1 m |

Mechanical Properties

| | |
|------------------|---------------|
| Housing material | Aluminium |
| Optical material | PMMA |
| Cover material | Polycarbonate |

Ambient Conditions

| | |
|-------------------------|-------------|
| Operating temperature | -10 - 45 °C |
| Application temperature | 25 °C |
| Storage environment | -20 - 50 °C |



Dimensional Drawing (mm)



Photometric Data

