

## Slim Panel Performer UGR19 G6

- High quality LED Slim Panel, suitable for offices (UGR19)
- Standard IP54 (front side)
- Recessed, suspended and surface mounting possible










## Specifications

Item Code	Item Description	Equivalent to (W)	Power (W)	Lumen	Efficacy (lm/W)	CCT (K)	Colour rendering index (CRI)	Net Weight (pc/kg)
<b>On-Off</b>								
542003111300	LEDPanelS-P6 Sq595-34W-830-U19	TL 4x18W	34	4420	130	3000	> 80	1.9

Available on request with Wieland GST18 or WAGO WINSTA connector, or Euro/Schuko plug. DALI2 versions are compatible with central emergency lighting according to EN 50172. BLE versions in surface mounting frames might lead to limited BLE signal strength.

## Accessories

Surface Mounting Frame		Recessed Mounting Frame	
			
14005484 LEDPanelRc-SI Sq600-Surface-Module-WH-CT	542098017600 LEDPanelRc2 Sq600-Surface-Kit-WH	542098009600 LEDPanelRc Sq600-Frame-WH	
			
140060852 LEDFixture-Ceiling-Cable-Kit-0.5m	542003021800 LEDPanelRc-S-B2 Mounting-Springs	542098000800 LEDPanelRC-SI U19 EM-kit 1h	542098030700 Junction-Box-WH

# Packaging information

Item			Box			
Item Code	Item Description	EU HS Code	Dimensions (mm) (LxWxH)	Gross Weight (pc/kg)	EAN	pc/box
542003111300	LEDPanelS-P6 Sq595-34W-830-U19	94051190	631x41x673	2.48	6941497774569	1
140055484	LEDPanelRc-SI Sq600-Surface-Module-WH-CT	94059900	690x690x118	4.26	6956321879808	1
140057770	LEDPanelRc-SI-Mounting-Springs-595	73209090	80x80x53	0.50	6956321888121	1
140060852	LEDFixture-Ceiling-Cable-Kit-0.5m	73121020	510x100x10	0.40	6956321895266	1
542003021800	LEDPanelRc-S-B2 Mounting-Springs	73209090	280x200x170	0.10	6941408821672	1
542098000800	LEDPanelRC-SI U19 EM-kit 1h	85044083	490x390x150	0.98	6941497702340	1
542098000900	LEDPanelRC-SI U19 EM-kit 3h	85044083	490x390x150	1.08	6941497702333	1
542098009600	LEDPanelRc Sq600-Frame-WH	94059900	688x88x694	1.79	6941497704061	1
542098017600	LEDPanelRc2 Sq600-Surface-Kit-WH	94059900	685x77x68	1.53	6941497720696	1
542098030700	Junction-Box-WH	85369010	43x103x36	0.06	6941408868684	1
542098045500	LEDPanelS-P Suspension-Kit-G6	73121020	130x130x30	0.22	6941497784773	1

## Technical Specifications

Lifetime (L70)	100,000 h
Lifetime (L80)	70,000 h
Lifetime (L90)	50,000 h
On-/Off-cycles	100,000
Colour consistency (SDCM)	3
Dimmability	On-Off
Beam angle	90 °
Finishing	White RAL9003
RAL-Number	9003
UGR	19
Ingress protection front side (IP)	IP54
Ingress protection recessed part (IP)	IP20
Impact strength (IK)	IK03
Protection class	II
Risk group (EN 62471)	RG0
With control gear	True
Glow wire test	650 °C
Driver failure rate (at 5,000 hrs)	≤ 1 %
Power factor	≥ 0.9

## Electrical Supply

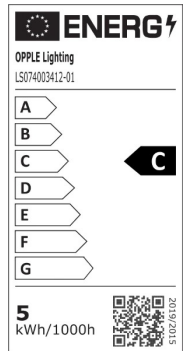
Frequency	50 - 60 Hz
Nominal voltage	220 - 240 V
DC input voltage	See catalogue appendix Connection Specifications
230V Cable length	1 m

## Mechanical Properties

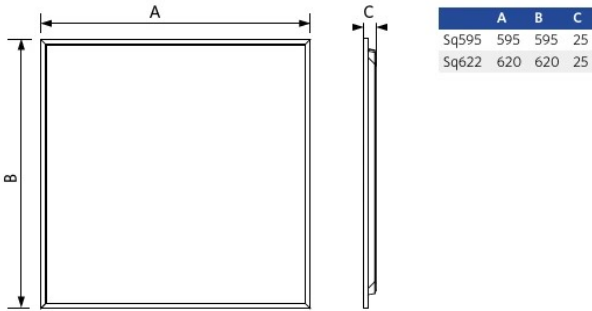
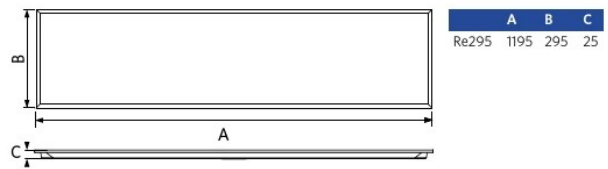
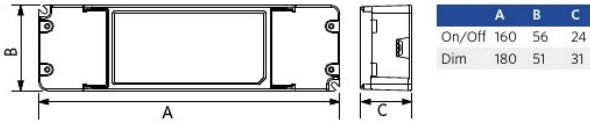
Housing material	Aluminium
Optical material	PMMA
Cover material	Polycarbonate

## Ambient Conditions

Operating temperature	-10 ~ 45 °C
Application temperature	25 °C
Storage environment	-20 ~ 50 °C



## Dimensional Drawing (mm)



## Photometric Data

