

## Slim Panel Performer UGR19 G6

- High quality LED Slim Panel, suitable for offices (UGR19)
- Standard IP54 (front side)
- Recessed, suspended and surface mounting possible










## Specifications

| Item Code   | Item Description                       | Equivalent to (W) | Power (W) | Lumen | Efficacy (lm/W) | CCT (K) | Colour rendering index (CRI) | Net Weight (pc/kg) |
|---|--|-------------------|-----------|-------|-----------------|---------|------------------------------|--------------------|
| <b>Wieland GST18i2 cable (2x0.75mm² 0.3m)/Smart</b> |  |                   |           |       |                 |         |                              |                    |
| 542003116100  | LEDPanelS-P6 Sq595-34W-BLE2-940-U19-WL | TL 4x18W          | 34        | 4080  | 120             | 4000    | > 90                         | 2                  |

Available on request with Wieland GST18 or WAGO WINSTA connector, or Euro/Schuko plug. DALI2 versions are compatible with central emergency lighting according to EN 50172. BLE versions in surface mounting frames might lead to limited BLE signal strength.

## Accessories

| Surface Mounting Frame  |   | Recessed Mounting Frame   |  |
|---|---|---|--|
|  |  |  |  |
| 140055484<br>LEDPanelRc-SI Sq600-Surface-Module-WH-CT                               | 542098017600<br>LEDPanelRc2 Sq600-Surface-Kit-WH                                    | 542098009600<br>LEDPanelRc Sq600-Frame-WH   |  |
|  |  |  |  |
| 140060852<br>LEDFixture-Ceiling-Cable-Kit-0.5m                                      | 542003021800<br>LEDPanelRc-S-B2 Mounting-Springs                                    | 542098000800<br>LEDPanelRC-SI U19 EM-kit 1h   | 542098030700<br>Junction-Box-WH  |

## Packaging information

| Item         |  |            | Box                     |                      |               |        |
|--------------|--|------------|-------------------------|----------------------|---------------|--------|
| Item Code    | Item Description                         | EU HS Code | Dimensions (mm) (LxWxH) | Gross Weight (pc/kg) | EAN           | pc/box |
| 542003116100 | LEDPanelS-P6 Sq595-34W-BLE2-940-U19-WL   | 94051190   | 631x41x673              | 2.56                 | 6931783000144 | 1      |
| 140055484    | LEDPanelRc-SI Sq600-Surface-Module-WH-CT | 94059900   | 690x690x118             | 4.26                 | 6956321879808 | 1      |
| 140057770    | LEDPanelRc-SI-Mounting-Springs-595       | 73209090   | 80x80x53                | 0.50                 | 6956321888121 | 1      |
| 140060852    | LEDFixture-Ceiling-Cable-Kit-0.5m        | 73121020   | 510x100x10              | 0.40                 | 6956321895266 | 1      |
| 542003021800 | LEDPanelRc-S-B2 Mounting-Springs         | 73209090   | 280x200x170             | 0.10                 | 6941408821672 | 1      |
| 542098000800 | LEDPanelRC-SI U19 EM-kit 1h              | 85044083   | 490x390x150             | 0.98                 | 6941497702340 | 1      |
| 542098000900 | LEDPanelRC-SI U19 EM-kit 3h              | 85044083   | 490x390x150             | 1.08                 | 6941497702333 | 1      |
| 542098009600 | LEDPanelRc Sq600-Frame-WH                | 94059900   | 688x88x694              | 1.79                 | 6941497704061 | 1      |
| 542098017600 | LEDPanelRc2 Sq600-Surface-Kit-WH         | 94059900   | 685x77x68               | 1.53                 | 6941497720696 | 1      |
| 542098030700 | Junction-Box-WH                          | 85369010   | 43x103x36               | 0.06                 | 6941408868684 | 1      |
| 542098045500 | LEDPanelS-P Suspension-Kit-G6            | 73121020   | 130x130x30              | 0.22                 | 6941497784773 | 1      |
| 560098000600 | LEDSmart-Sensor Surface-Module-WH        | 94059200   | 330x220x255             | 0.15                 | 6941497703972 | 1      |
| 821006001800 | LEDSmart-BLE2-Rc-MW-Sensor               | 85365005   | 100x100x130             | 0.19                 | 6941497778277 | 1      |
| 821006002000 | LEDSmart-BLE2-Rc-PIR-Sensor              | 85365005   | 100x100x70              | 0.19                 | 6941497778260 | 1      |
| 821009000200 | LEDSmart-BLE2-Switch                     | 85365005   | 89x21x101               | 0.10                 | 6941497778253 | 1      |
| 821011002600 | LEDSmart-BLE2-DALI-Connect-Box           | 85176200   | 100x60x105              | 0.30                 | 6941497778291 | 1      |
| 821017003400 | LEDSmart-BLE2-Multi-Switch-Module        | 94059200   | 46x46x50                | 0.07                 | 6931783007600 | 1      |
| 821017003800 | LEDSmart-BLE2-Relay-1000W                | 85364900   | 110x57x37               | 0.10                 | 6941497778284 | 1      |

### Technical Specifications

|                                       |               |
|---------------------------------------|---------------|
| Lifetime (L70)                        | 100,000 h     |
| Lifetime (L80)                        | 70,000 h      |
| Lifetime (L90)                        | 50,000 h      |
| On-/Off-cycles                        | 100,000       |
| Colour consistency (SDCM)             | 3             |
| Dimmability                           | BLE2          |
| Beam angle                            | 90 °          |
| Finishing                             | White RAL9003 |
| RAL-Number                            | 9003          |
| UGR                                   | 19            |
| Ingress protection front side (IP)    | IP54          |
| Ingress protection recessed part (IP) | IP20          |
| Impact strength (IK)                  | IK03          |
| Protection class                      | II            |
| Risk group (EN 62471)                 | RGO           |
| With control gear                     | True          |
| Glow wire test                        | 650 °C        |
| Driver failure rate (at 5,000 hrs)    | ≤ 1 %         |
| Power factor                          | ≥ 0.9         |

### Electrical Supply

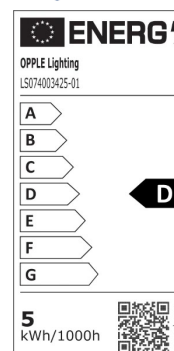
|                  |  |
|------------------|--|
| Frequency        | 50 - 60 Hz                                       |
| Nominal voltage  | 220 - 240 V                                      |
| DC input voltage | See catalogue appendix Connection Specifications |

### Mechanical Properties

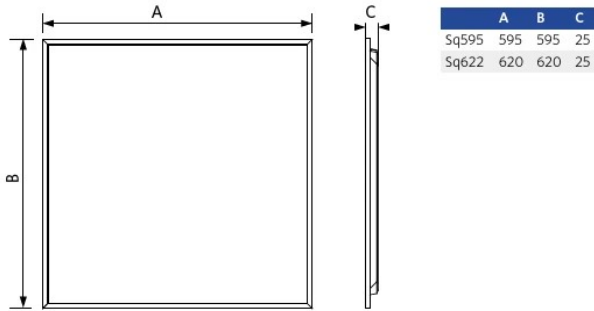
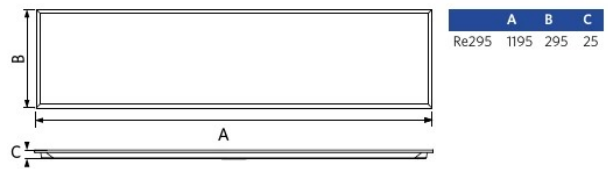
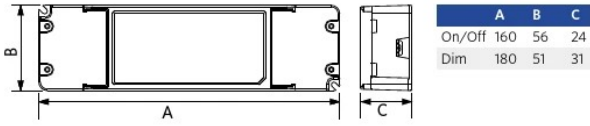
|                  |               |
|------------------|---------------|
| Housing material | Aluminium     |
| Optical material | PMMA          |
| Cover material   | Polycarbonate |

### Ambient Conditions

|                         |             |
|-------------------------|-------------|
| Operating temperature   | -10 ~ 45 °C |
| Application temperature | 25 °C       |
| Storage environment     | -20 ~ 50 °C |



## Dimensional Drawing (mm)



## Photometric Data

