



## Flood HO

- Professional luminaire with special optics for area lighting
- Including IP68 connector for easy connection
- Different optics to illuminate sport pitches (Class II/III EN 12193:2018) and open areas
- Robust design: full IP66 and IK08 protection
- Anodized aluminium heatsink, ideal for coastal environments



## Specifications

| Item Code    | Item Description          | Equivalent to (W) | Power (W) | Lumen | Efficacy (lm/W) | CCT (K) | Beam angle | Effective wind area  | Weight (kg/pc) |
|--------------|---------------------------|-------------------|-----------|-------|-----------------|---------|------------|----------------------|----------------|
| 1-10V        |                           |                   |           |       |                 |         |            |                      |                |
| 543017012500 | LEDfloodHO-P-620W-5700-XN | HID 1000W         | 620       | 80000 | 130             | 5700    | 25°        | 2331 cm <sup>2</sup> | 17.64          |

## Accessories



543098006000  
LEDFloodHO-P-MountingKit-2Mod



543098005800  
LEDFloodHO-P-MountingKit-4Mod



543098005900  
LEDFloodHO-P-SafetyCable

## Packaging Information

| Item         |                               |            | Box                     |                   |               |        |
|--------------|-------------------------------|------------|-------------------------|-------------------|---------------|--------|
| Item Code    | Item Description              | EU HS Code | Dimensions (mm) (LxWxH) | Gross Weight (kg) | EAN           | pc/box |
| 543017012500 | LEDfloodHO-P-620W-5700-XN     | 94054239   | 740x490x190             | 19.72             | 6956321825263 | 1      |
| 543098005800 | LEDFloodHO-P-MountingKit-4Mod | 94059900   | 920x565x155             | 11.49             | 6956321826154 | 1      |
| 543098005900 | LEDFloodHO-P-SafetyCable      | 73121020   | 80x80x65                | 0.72              | 6956321826147 | 1      |
| 543098006000 | LEDFloodHO-P-MountingKit-2Mod | 94059900   | 520x460x100             | 5.70              | 6956321825638 | 1      |

| Technical Specifications     |           |
|------------------------------|-----------|
| Lifetime (L70)               | 100,000 h |
| Lifetime (L80)               | 70,000 h  |
| On-/Off-cycles               | 100,000   |
| Colour consistency (SDCM)    | 6         |
| Dimmability                  | 1-10V     |
| Finishing                    | Black     |
| Colour rendering index (CRI) | ≥ 70      |
| Degree of protection (IP)    | IP66      |
| Impact strength              | IK08      |
| Protection class             | I         |
| Risk group (EN 62471)        | RG0       |
| With control gear            | Yes       |
| Glow wire test               | 850°C     |
| Power factor                 | ≥ 0.9     |
| Surge protection             | 6 kV      |

| Electrical Supply |  |
|-------------------|--|
| Frequency         | 50/60 Hz   |
| Nominal voltage   | 220-240 V  |
| DC input voltage  | See catalogue appendix Connection Specifications |
| 230V Cable length | 1 m  |

| Mechanical Properties |               |
|-----------------------|---------------|
| Housing material      | Aluminium     |
| Optical material      | Polycarbonate |
| Cover material        | Polycarbonate |
| Coastal proof         | Yes           |

| Ambient Conditions      |           |
|-------------------------|-----------|
| Operating temperature   | -30-+50°C |
| Application temperature | +25°C     |
| Storage environment     | -30-+60°C |

**5 YEARS WARRANTY**



**ENERGY**

OPPLE Lighting  
543017012500

A  
B  
C  
D  
E  
F  
G

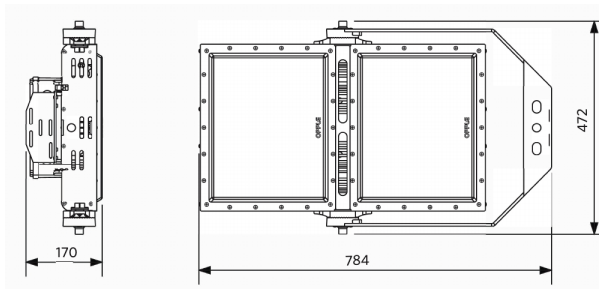
**D**

**620**  
kWh/1000h

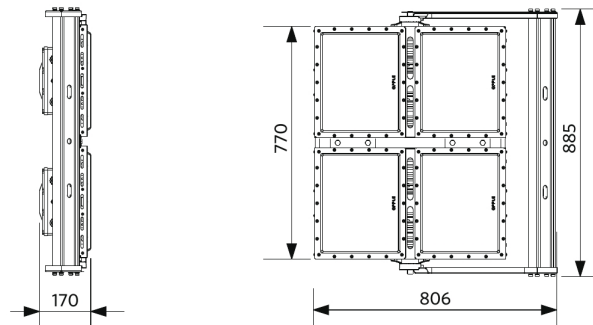
2019/2015

## Dimensional Drawing (mm)

LEDfloodHO-P-620W  
(+MountingKit-2Mod)



LEDfloodHO-P-620W  
(x2 +MountingKit-4Mod)



## Photometric Data

