



Flood HO

- Professional luminaire with special optics for area lighting
- Including IP68 connector for easy connection
- Different optics to illuminate sport pitches (Class II/III EN 12193:2018) and open areas
- Robust design: full IP66 and IK08 protection
- Anodized aluminium heatsink, ideal for coastal environments



Specifications

Item Code	Item Description	Equivalent to (W)	Power (W)	Lumen	Efficacy (lm/W)	CCT (K)	Beam angle	Effective wind area	Weight (kg/pc)
1-10V									
543017013100	LEDfloodHO-P-310W-5700-XN	HID 500W	310	40000	130	5700	25°	1110 cm ²	13.47

Accessories



543098005900
LEDfloodHO-P-SafetyCable

Packaging Information

Item			Box			
Item Code	Item Description	EU HS Code	Dimensions (mm) (LxWxH)	Gross Weight (kg)	EAN	pc/box
543017013100	LEDfloodHO-P-310W-5700-XN	94054239	540x530x205	15.31	6956321824709	1
543098005900	LEDfloodHO-P-SafetyCable	73121020	80x80x65	0.72	6956321826147	1

Technical Specifications	
Lifetime (L70)	100,000 h
Lifetime (L80)	70,000 h
On-/Off-cycles	100,000
Colour consistency (SDCM)	6
Dimmability	1-10V
Finishing	Black
Colour rendering index (CRI)	≥ 70
Degree of protection (IP)	IP66
Impact strength	IK08
Protection class	I
Risk group (EN 62471)	RGO
With control gear	Yes
Glow wire test	850°C
Power factor	≥ 0.9
Surge protection	6 kV

Electrical Supply	
Frequency	50/60 Hz
Nominal voltage	220-240 V
DC input voltage	See catalogue appendix Connection Specifications
230V Cable length	1 m

Mechanical Properties	
Housing material	Aluminium
Optical material	Polycarbonate
Cover material	Polycarbonate
Coastal proof	Yes

Ambient Conditions	
Operating temperature	-30-+50°C
Application temperature	+25°C
Storage environment	-30-+60°C

5 YEARS WARRANTY



ENERGY

OPPLE Lighting
543017013100

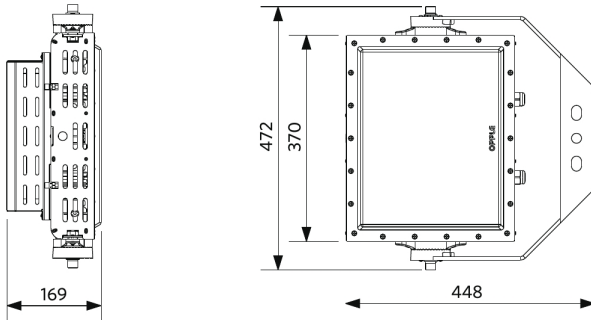
A
B
C
D
E
F
G

310
kWh/1000h

2019/2015

Dimensional Drawing (mm)

LEDfloodHO-P-310W



Photometric Data

