



## Waterproof Performer G3

- Powerful range of waterproof luminaires in specific "sealed for life" design
- Quick installation thanks to its screwless endcap
- Supplied with vandal-proof stainless steel ceiling and suspension clips



## Specifications

Item Code	Item Description	Equivalent to (W)	Power (W)	Lumen	Efficacy (lm/W)	CCT (K)	Internal wiring (mm <sup>2</sup> )	Max. input cable diameter (mm)	Weight (kg/pc)
543022022300	LEDWaterproof-P3 L1310-38W-4000-PLUS-EM3	TL 2x36W	38	5320	140	4000	5x2.5	8-14	1.60

## Packaging Information

Item			Box			
Item Code	Item Description	EU HS Code	Dimensions (mm) (LxWxH)	Gross Weight (kg)	EAN	pc/box
543022022300	LEDWaterproof-P3 L1310-38W-4000-PLUS-EM3	94051190	1352x84x81	1.98	6941408855950	1
506005002100	LEDWaterproof-P3-Mounting Kit	73269098	290x290x240	0.07	6941408831244	1

### Technical Specifications

Lifetime (L70)	70,000 h
Lifetime (L80)	60,000 h
Lifetime (L90)	50,000 h
On-/Off-cycles	100,000
Colour consistency (SDCM)	4
Dimmability	On-Off
Beam angle	110°
Finishing	Grey RAL 7035
Colour rendering index (CRI)	≥ 80
Degree of protection (IP)	IP66
Impact strength	IK08
Protection class	II
Risk group (EN 62471)	RG0
With control gear	Yes
Glow wire test	850°C
Power factor	≥ 0.9
Input wire diameter	1mm <sup>2</sup> - 2.5mm <sup>2</sup>

### Electrical Supply

Frequency	50/60 Hz
Nominal voltage	220-240 V
DC input voltage	See catalogue appendix Connection Specifications

### Mechanical Properties

Material housing	Polycarbonate
UV resistant	Yes
Optical material	Polycarbonate
Mounting clips	Stainless steel

### Ambient Conditions

Operating temperature	-25-+45°C
Application temperature	+25°C
Storage environment	-25-+50°C

**5 YEARS WARRANTY**



**ENERGY**

OPPLE Lighting  
543022022300

A	▶
B	▶
C	▶
D	▶
E	▶
F	▶
G	▶

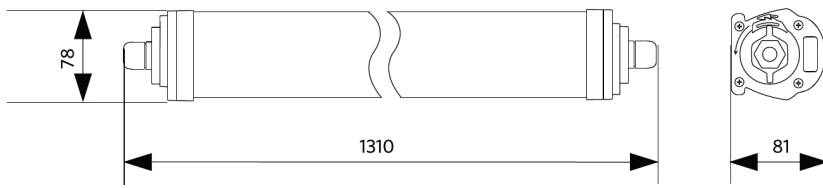
**D**

**38**  
kWh/1000h

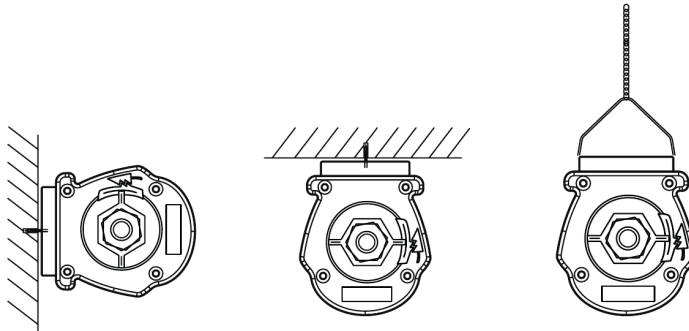
2019/2015

## Dimensional Drawing (mm)

LEDWaterproof-P3 L1310



## Installation Possibilities



## Photometric Data

