



Lowbay

- Stylish solution for medium high ceilings in retail and industry



## Specifications

Item Code	Item Description	Equivalent to (W)	Power (W)	Lumen	Efficacy (lm/W)	CCT (K)	Beam angle	Weight (kg/pc)
545002000600	LEDLowbay-E 30W-4000-60D	CFL 2x26W	30	3000	100	4000	60°	0.54

## Packaging Information

Item		Box			
Item Code	Item Description	Dimensions (mm) (LxWxH)	Gross Weight (kg)	EAN	pc/box
545002000600	LEDLowbay-E 30W-4000-60D	276x276x176	1.10	6956321806835	1

Technical Specifications	
Lifetime (L70)	60,000 h
Lifetime (L80)	40,000 h
On-/Off-cycles	100,000
Colour consistency (SDCM)	4
Dimmability	On-Off
Finishing	Silver
Colour rendering index CRI	≥ 80
Degree of protection (IP)	IP20
Impact strength	IK03
Protection class	I
Risk group (EN 62471)	RG1
With control gear	Yes
Glow wire test	650°C
Driver failure rate (at 5,000 hrs)	1 %
Power factor	≥ 0.9

Electrical Supply	
Frequency	50/60 Hz
Nominal voltage	220-240 V AC
DC input voltage	See catalogue Technical Data section
230V Cable length	2 m

Mechanical Properties	
Material housing	Aluminium
Optical material	Polycarbonate

Ambient Conditions	
Operating temperature	-20-+45°C
Application temperature	+25°C
Storage environment	-30-+50°C



**ENERGY**

OPPLE Lighting  
545002000600

A  
B  
C  
D  
E  
F  
G

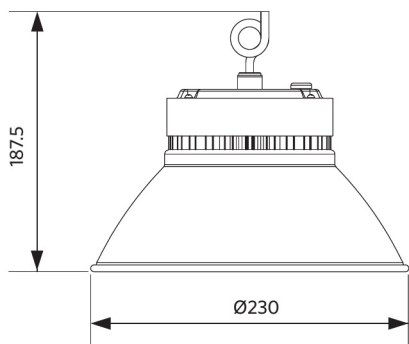
**F**

30 kWh/1000h

2019/2015

## Dimensional Drawing (mm)

LEDLowbay-E 30W-4000-60D



## Photometric Data

