



Roadlight Stratus

- Easy installation and maintenance via openable driver compartment
- Flexible and adjustable pole connector (60mm & 76mm) for both side entry and pole top mounting (order separately)



Specifications

| Item Code | Item Description | Equivalent to (W) | Power (W) | Lumen | Efficacy (lm/W) | CCT (K) | Beam angle | Weight (kg/pc) |
|-------------------|--------------------------------------|-------------------|-----------|-------|-----------------|---------|------------|----------------|
| DALI2, D4i, Zhaga | | | | | | | | |
| 705000067100 | LEDRoad-St-P2 Re587-150W-DALI-730-ZH | HID 250W | 150 | 22500 | 150 | 3000 | 143° x 70° | 6.70 |

Accessories



705098008300
Pole Adapter-Road-St-P2-60mm



705098008400
Pole Adapter-Road-St-P2-76mm



705098003600
LEDStreetlight Wall-Bracket-60



705098003700
LEDStreetlight Pole-Top-60-Adapter-60



705098003400
LEDStreetlight Pole-Top-76-Adapter-60



705098005500
LEDStreetlight Pole-Top-60-Adapter-2x60

Packaging Information

| Item | | | Box | | | |
|--------------|---|------------|-------------------------|-------------------|---------------|--------|
| Item Code | Item Description | EU HS Code | Dimensions (mm) (LxWxH) | Gross Weight (kg) | EAN | pc/box |
| 705000067100 | LEDRoad-St-P2 Re587-150W-DALI-730-ZH | 94054239 | 662x363x170 | 8.80 | 6941497769121 | 1 |
| 705098003400 | LEDStreetlight Pole-Top-76-Adapter-60 | 94059900 | 223x116x314 | 1.94 | 6941497755100 | 1 |
| 705098003600 | LEDStreetlight Wall-Bracket-60 | 94059900 | 201x78x239 | 1.14 | 6941497755124 | 1 |
| 705098003700 | LEDStreetlight Pole-Top-60-Adapter-60 | 94059900 | 215x97x301 | 1.62 | 6941497755117 | 1 |
| 705098005500 | LEDStreetlight Pole-Top-60-Adapter-2x60 | 94059900 | 505x97x230 | 1.51 | 6941491705491 | 1 |
| 705098008300 | Pole Adapter-Road-St-P2-60mm | 94059900 | 140x94x201 | 0.85 | 6941497769312 | 1 |
| 705098008400 | Pole Adapter-Road-St-P2-76mm | 94059900 | 140x114x213 | 0.90 | 6941497769329 | 1 |

| Technical Specifications | |
|------------------------------|-------------------|
| Lifetime (L80) | 100,000 h |
| On-/Off-cycles | 100,000 |
| Colour consistency (SDCM) | 5 |
| Dimmability | DALI2 |
| Maximum tilt angle | -15-+15° |
| Finishing | Grey RAL 870-3 |
| Colour rendering index (CRI) | > 70 |
| Degree of protection (IP) | IP66 |
| Impact strength | IK08 |
| Protection class | II (I on request) |
| Risk group (EN 62471) | RG0 |
| With control gear | Yes |
| Glow wire test | 850°C |
| Power factor | ≥ 0.9 |
| Surge protection | 10 kV |

| Electrical Supply | |
|-------------------|-----------|
| Frequency | 50/60 Hz |
| Nominal voltage | 220-240 V |
| DC input voltage | No |

| Mechanical Properties | |
|-----------------------|----------------------|
| Housing material | Aluminum |
| Optical material | Polycarbonate |
| Compatible pole Ø | 48-76 mm |
| Effective wind area | 1800 cm ² |
| Coastal proof | Yes |

| Ambient Conditions | |
|-------------------------|-----------|
| Operating temperature | -25-+45°C |
| Application temperature | +25°C |
| Storage environment | -40-+60°C |



OPPLE Lighting
705000067100

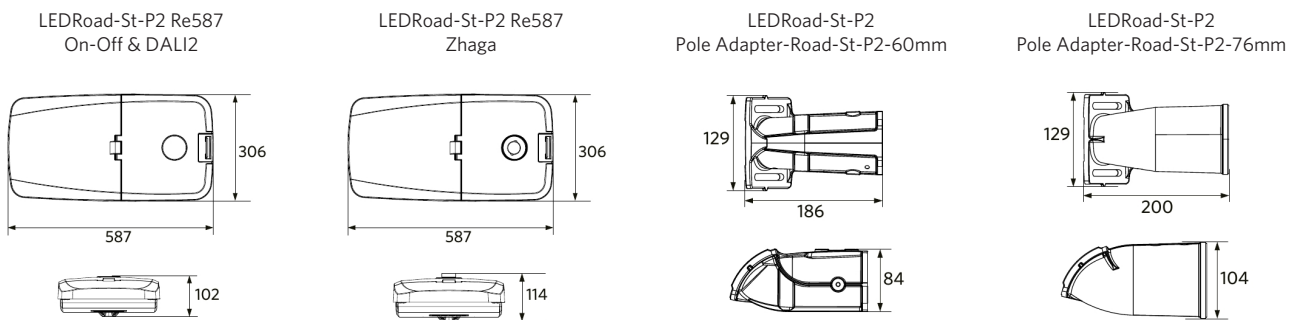
| | |
|---|---|
| A | → |
| B | → |
| C | → |
| D | → |
| E | → |
| F | → |
| G | → |

D

80
kWh/1000h

2019/2015

Dimensional Drawing (mm)



Photometric Data

