



## Roadlight Stratus

- Easy installation and maintenance via openable driver compartment
- Flexible and adjustable pole connector (60mm & 76mm) for both side entry and pole top mounting (order separately)



## Specifications

Item Code	Item Description	Equivalent to (W)	Power (W)	Lumen	Efficacy (lm/W)	CCT (K)	Beam angle	Weight (kg/pc)
<b>On-Off</b>								
705000067700	LEDRoad-St-P2 Re587-150W-730	HID 250W	150	22500	150	3000	143° x 70°	6.70

## Accessories



705098008300  
Pole Adapter-Road-St-P2-60mm



705098008400  
Pole Adapter-Road-St-P2-76mm



705098003600  
LEDStreetlight Wall-Bracket-60



705098003700  
LEDStreetlight Pole-Top-60-Adapter-60



705098003400  
LEDStreetlight Pole-Top-76-Adapter-60



705098005500  
LEDStreetlight Pole-Top-60-Adapter-2x60

## Packaging Information

Item			Box			
Item Code	Item Description	EU HS Code	Dimensions (mm) (LxWxH)	Gross Weight (kg)	EAN	pc/box
705000067700	LEDRoad-St-P2 Re587-150W-730	94054239	662x363x170	8.80	6941497768964	1
705098003400	LEDStreetlight Pole-Top-76-Adapter-60	94059900	223x116x314	1.94	6941497755100	1
705098003600	LEDStreetlight Wall-Bracket-60	94059900	201x78x239	1.14	6941497755124	1
705098003700	LEDStreetlight Pole-Top-60-Adapter-60	94059900	215x97x301	1.62	6941497755117	1
705098005500	LEDStreetlight Pole-Top-60-Adapter-2x60	94059900	505x97x230	1.51	6941491705491	1
705098008300	Pole Adapter-Road-St-P2-60mm	94059900	140x94x201	0.85	6941497769312	1
705098008400	Pole Adapter-Road-St-P2-76mm	94059900	140x114x213	0.90	6941497769329	1

Technical Specifications	
Lifetime (L80)	100,000 h
On-/Off-cycles	100,000
Colour consistency (SDCM)	5
Dimmability	On-Off
Maximum tilt angle	-15-+15°
Finishing	Grey RAL 870-3
Colour rendering index (CRI)	> 70
Degree of protection (IP)	IP66
Impact strength	IK08
Protection class	II (I on request)
Risk group (EN 62471)	RG0
With control gear	Yes
Glow wire test	850°C
Power factor	≥ 0.9
Surge protection	10 kV

Electrical Supply	
Frequency	50/60 Hz
Nominal voltage	220-240 V
DC input voltage	See catalogue appendix Connection Specifications

Mechanical Properties	
Housing material	Aluminum
Optical material	Polycarbonate
Compatible pole Ø	48-76 mm
Effective wind area	1800 cm <sup>2</sup>
Coastal proof	Yes

Ambient Conditions	
Operating temperature	-25-+45°C
Application temperature	+25°C
Storage environment	-40-+60°C

**5 YEARS WARRANTY**



**ENERGY**

OPPLE Lighting  
705000067700

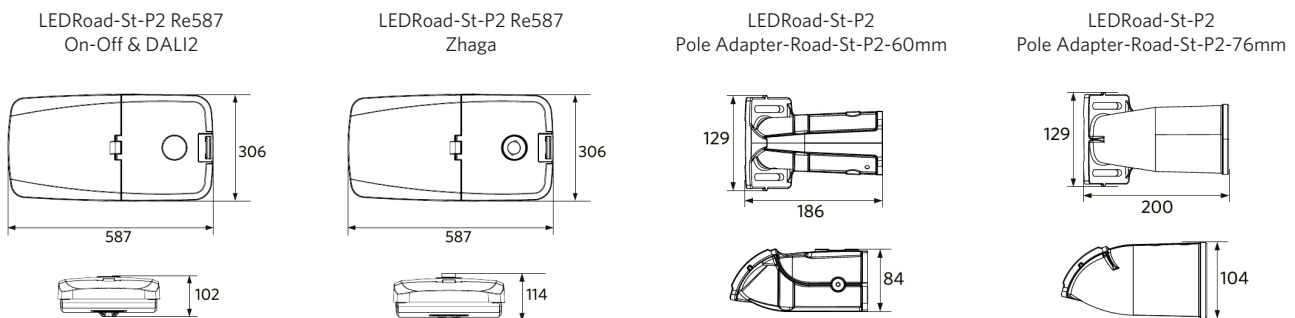
A  
B  
C  
D  
E  
F  
G

**D**

**120**  
kWh/1000h

2019/2015

## Dimensional Drawing (mm)



## Photometric Data

