



## Roadlight Stratus

- Easy installation and maintenance via openable driver compartment
- Flexible and adjustable pole connector (60mm & 76mm) for both side entry and pole top mounting (order separately)



## Specifications

| Item Code     | Item Description            | Equivalent to (W) | Power (W) | Lumen | Efficacy (lm/W) | CCT (K) | Beam angle | Weight (kg/pc) |
|---------------|-----------------------------|-------------------|-----------|-------|-----------------|---------|------------|----------------|
| <b>On-Off</b> |                             |                   |           |       |                 |         |            |                |
| 705000096500  | LEDRoad-St-P2 Re488-40W-740 | HID 70W           | 40        | 6000  | 150             | 4000    | 143° x 70° | 4.10           |

## Accessories



705098008300  
Pole Adapter-Road-St-P2-60mm



705098008400  
Pole Adapter-Road-St-P2-76mm



705098003600  
LEDStreetlight Wall-Bracket-60



705098003700  
LEDStreetlight Pole-Top-60-Adapter-60



705098003400  
LEDStreetlight Pole-Top-76-Adapter-60



705098005500  
LEDStreetlight Pole-Top-60-Adapter-2x60

## Packaging Information

| Item         |   |            | Box                     |                   |               |        |
|--------------|---|------------|-------------------------|-------------------|---------------|--------|
| Item Code    | Item Description                        | EU HS Code | Dimensions (mm) (LxWxH) | Gross Weight (kg) | EAN           | pc/box |
| 705000096500 | LEDRoad-St-P2 Re488-40W-740             | 94054239   | 545x285x145             | 5.00              | 6941497780751 | 1      |
| 705098003400 | LEDStreetlight Pole-Top-76-Adapter-60   | 94059900   | 223x116x314             | 1.94              | 6941497755100 | 1      |
| 705098003600 | LEDStreetlight Wall-Bracket-60          | 94059900   | 201x78x239              | 1.14              | 6941497755124 | 1      |
| 705098003700 | LEDStreetlight Pole-Top-60-Adapter-60   | 94059900   | 215x97x301              | 1.62              | 6941497755117 | 1      |
| 705098005500 | LEDStreetlight Pole-Top-60-Adapter-2x60 | 94059900   | 505x97x230              | 1.51              | 6941491705491 | 1      |
| 705098008300 | Pole Adapter-Road-St-P2-60mm            | 94059900   | 140x94x201              | 0.85              | 6941497769312 | 1      |
| 705098008400 | Pole Adapter-Road-St-P2-76mm            | 94059900   | 140x114x213             | 0.90              | 6941497769329 | 1      |

| Technical Specifications     |                   |
|------------------------------|-------------------|
| Lifetime (L80)               | 100,000 h         |
| On-/Off-cycles               | 100,000           |
| Colour consistency (SDCM)    | 5                 |
| Dimmability                  | On-Off            |
| Maximum tilt angle           | -15-+15°          |
| Finishing                    | Grey RAL 870-3    |
| Colour rendering index (CRI) | > 70              |
| Degree of protection (IP)    | IP66              |
| Impact strength              | IK08              |
| Protection class             | II (I on request) |
| Risk group (EN 62471)        | RG0               |
| With control gear            | Yes               |
| Glow wire test               | 850°C             |
| Power factor                 | ≥ 0.9             |
| Surge protection             | 10 kV             |

| Electrical Supply |           |
|-------------------|-----------|
| Frequency         | 50/60 Hz  |
| Nominal voltage   | 220-240 V |
| DC input voltage  | No        |

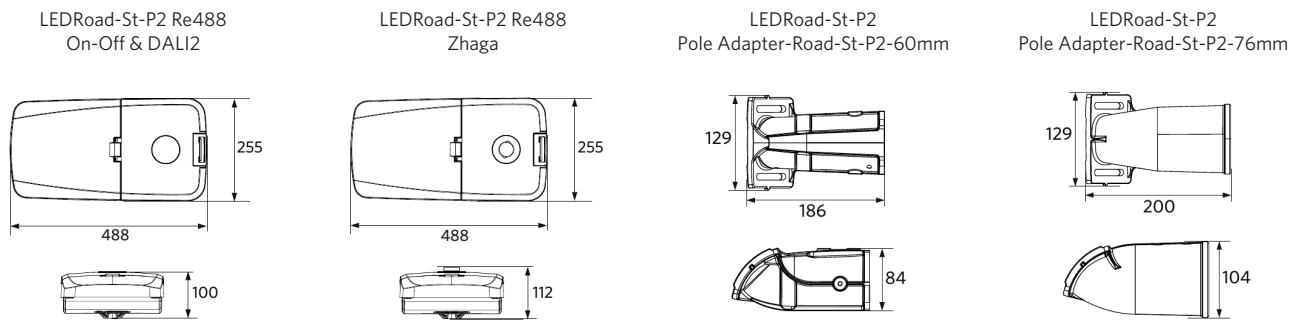
| Mechanical Properties |                      |
|-----------------------|----------------------|
| Housing material      | Aluminum             |
| Optical material      | Polycarbonate        |
| Compatible pole Ø     | 48-76 mm             |
| Effective wind area   | 1300 cm <sup>2</sup> |
| Coastal proof         | Yes                  |

| Ambient Conditions      |           |
|-------------------------|-----------|
| Operating temperature   | -25-+45°C |
| Application temperature | +25°C     |
| Storage environment     | -40-+60°C |



## Dimensional Drawing (mm)



## Photometric Data

