



## Floodlight Modulo Performer

- Precise modular optical design for area, object and facade lighting
- Super slim aluminium body with integrated heatsink
- Robust design with high protection against water and dust
- IP66 and suitable for use on coastal applications
- Equipped with breather to prevent condensation



### Specifications

| Item Code     | Item Description              | Equivalent to (W) | Power (W) | Lumen | Efficacy (lm/W) | CCT (K) | Beam angle | Surge protection | Weight (kg/pc) |
|---------------|-------------------------------|-------------------|-----------|-------|-----------------|---------|------------|------------------|----------------|
| <b>On-Off</b> |                               |                   |           |       |                 |         |            |                  |                |
| 709000058500  | LEDFloodMo-P Re450-200W-840-N | HID 400W          | 200       | 28000 | 140             | 4000    | 45°        | 6 kV             | 5.70           |

### Accessories



543098021900  
LEDFixture-IP68-Connector-Kit-3



599000004600  
LEDStreet-SE-ExtensionCable-6m

### Packaging Information

| Item         |                                 | Box        |                         |                   |               |        |
|--------------|---------------------------------|------------|-------------------------|-------------------|---------------|--------|
| Item Code    | Item Description                | EU HS Code | Dimensions (mm) (LxWxH) | Gross Weight (kg) | EAN           | pc/box |
| 709000058500 | LEDFloodMo-P Re450-200W-840-N   | 94054239   | 465x485x62              | 6.23              | 6941497766311 | 1      |
| 543098021900 | LEDFixture-IP68-Connector-Kit-3 | 39174000   | 265x245x205             | 0.08              | 6941497708991 | 1      |
| 599000004600 | LEDStreet-SE-ExtensionCable-6m  | 85444290   | 100x60x350              | 0.68              | 6956321815370 | 1      |

| Technical Specifications     |                |
|------------------------------|----------------|
| Lifetime (L70)               | 100,000 h      |
| Lifetime (L80)               | 70,000 h       |
| Lifetime (L90)               | 50,000 h       |
| On-/Off-cycles               | 100,000        |
| Colour consistency (SDCM)    | 4              |
| Dimmability                  | On-Off         |
| Finishing                    | Grey RAL 870-3 |
| Colour rendering index (CRI) | > 80           |
| Degree of protection (IP)    | IP66           |
| Impact strength              | IK08           |
| Protection class             | I              |
| Risk group (EN 62471)        | RG1            |
| With control gear            | Yes            |
| Glow wire test               | 850°C          |
| Power factor                 | ≥ 0.9          |

| Electrical Supply |           |
|-------------------|-----------|
| Frequency         | 50/60 Hz  |
| Nominal voltage   | 220-240 V |
| DC input voltage  | No        |
| 230V Cable length | 1 m       |

| Mechanical Properties |                     |
|-----------------------|---------------------|
| Housing material      | Die-casted Aluminum |
| Optical material      | Polycarbonate       |
| Cover material        | Polycarbonate       |
| Coastal proof         | Yes                 |

| Ambient Conditions      |           |
|-------------------------|-----------|
| Operating temperature   | -40-+50°C |
| Application temperature | +25°C     |
| Storage environment     | -40-+50°C |

**5 YEARS WARRANTY**



**ENERGY**

OPPLE Lighting  
709000058500

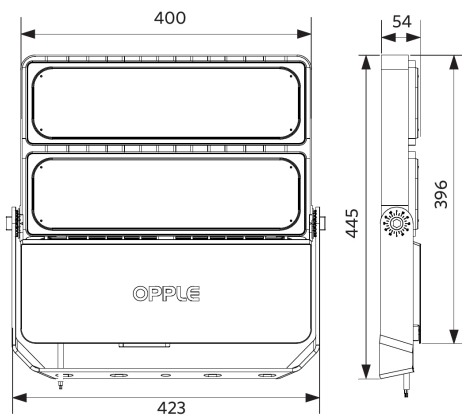
A  
B  
C  
**D**  
E  
F  
G

**200**  
kWh/1000h

2019/2015

## Dimensional Drawing (mm)

LEDfloodMo-P Re450



# Photometric Data

