



Floodlight Modulo Performer

- Precise modular optical design for area, object and facade lighting
- Super slim aluminium body with integrated heatsink
- Robust design with high protection against water and dust
- IP66 and suitable for use on coastal applications
- Equipped with breather to prevent condensation



Specifications

Item Code	Item Description	Equivalent to (W)	Power (W)	Lumen	Efficacy (lm/W)	CCT (K)	Beam angle	Surge protection	Weight (kg/pc)
On-Off									
709000059000	LED Flood Mo-P Re450-200W-857-AS	HID 400W	200	28000	140	5700	40° x 100°	6 kV	5.70

Accessories



543098021900
LED Fixture-IP68-Connector-Kit-3



599000004600
LED Street-SE-Extension Cable-6m

Packaging Information

Item		Box				
Item Code	Item Description	EU HS Code	Dimensions (mm) (LxWxH)	Gross Weight (kg)	EAN	pc/box
709000059000	LED Flood Mo-P Re450-200W-857-AS	94054239	465x485x62	6.23	6941497766366	1
543098021900	LED Fixture-IP68-Connector-Kit-3	39174000	265x245x205	0.08	6941497708991	1
599000004600	LED Street-SE-Extension Cable-6m	85444290	100x60x350	0.68	6956321815370	1

Technical Specifications	
Lifetime (L70)	100,000 h
Lifetime (L80)	70,000 h
Lifetime (L90)	50,000 h
On-/Off-cycles	100,000
Colour consistency (SDCM)	4
Dimmability	On-Off
Finishing	Grey RAL 870-3
Colour rendering index (CRI)	> 80
Degree of protection (IP)	IP66
Impact strength	IK08
Protection class	I
Risk group (EN 62471)	RG1
With control gear	Yes
Glow wire test	850°C
Power factor	≥ 0.9

Electrical Supply	
Frequency	50/60 Hz
Nominal voltage	220-240 V
DC input voltage	No
230V Cable length	1 m

Mechanical Properties	
Housing material	Die-casted Aluminum
Optical material	Polycarbonate
Cover material	Polycarbonate
Coastal proof	Yes

Ambient Conditions	
Operating temperature	-40-+50°C
Application temperature	+25°C
Storage environment	-40-+50°C



ENERGY

OPPLE Lighting
709000059000

A
B
C
D
E
F
G

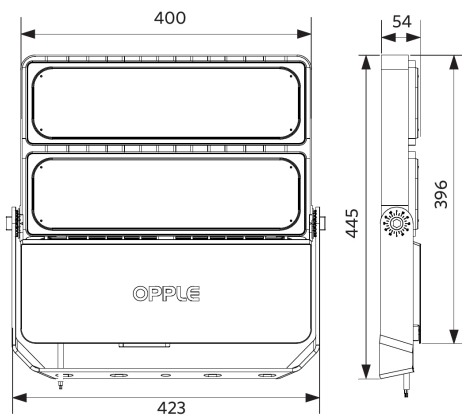
D

200 kWh/1000h

2019/2015

Dimensional Drawing (mm)

LEDfloodMo-P Re450



Photometric Data

