



## Floodlight EcoMax G3

- Equipped with breather to prevent condensation



## Specifications

Item Code	Item Description	Equivalent to (W)	Power (W)	Lumen	Efficacy (lm/W)	CCT (K)	With sensor	Degree of protection (IP)	Surge protection	Weight (kg/pc)
709000072300	LED Flood-E3 Re144-10W-830-BL-MD Motion Detection, Daylight Detection	Halogen 50W	10	1100	110	3000	Yes	IP65	2 kV	0.78

## Accessories



543098021900  
LED Fixture-IP68-Connector-Kit-3

599000004600  
LED Street-SE-Extension Cable-6m

## Packaging Information

Item			Box			
Item Code	Item Description	EU HS Code	Dimensions (mm) (LxWxH)	Gross Weight (kg)	EAN	pc/box
709000072300	LED Flood-E3 Re144-10W-830-BL-MD	94054239	370x265x200	0.83	6941497776594	1
543098021900	LED Fixture-IP68-Connector-Kit-3	39174000	265x245x205	0.08	6941497708991	1
599000004600	LED Street-SE-Extension Cable-6m	85444290	100x60x350	0.68	6956321815370	1

**5 YEARS WARRANTY**



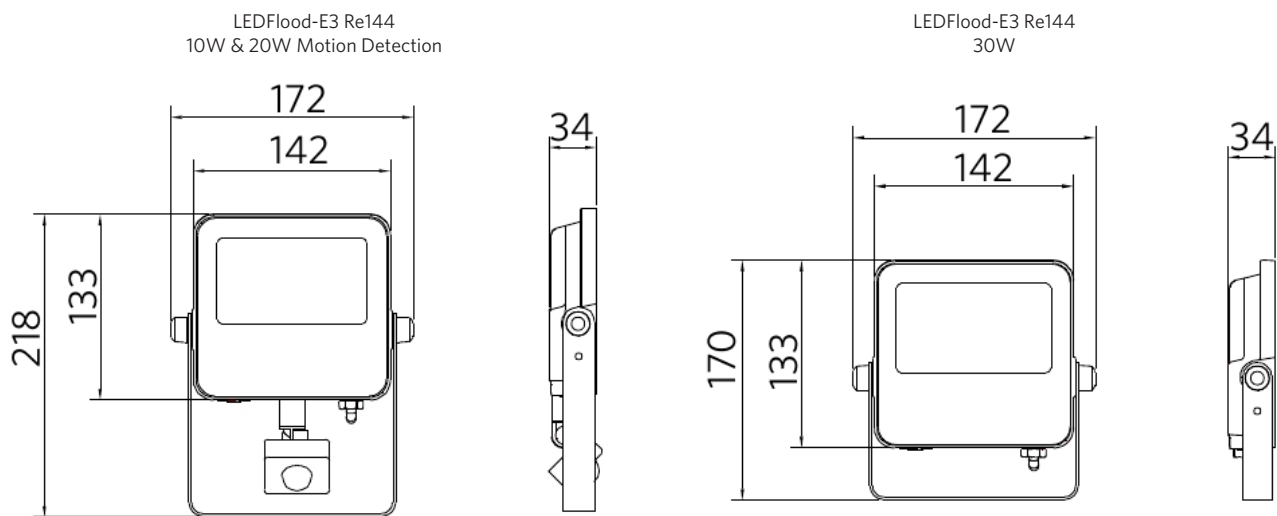
Technical Specifications	
Lifetime (L70)	50,000 h
Lifetime (L80)	30,000 h
On-/Off-cycles	100,000
Colour consistency (SDCM)	4
Dimmability	Sensor controlled (MD)
Sensor type	Motion + Daylight detection (MD)
Sensor technology	Microwave (MW)
Beam angle	100°
Finishing	Black
Colour rendering index (CRI)	> 80
Impact strength	IK07
Protection class	I
Risk group (EN 62471)	RG1
With control gear	Yes
Glow wire test	850°C
Power factor	≥ 0.9

Electrical Supply	
Frequency	50/60 Hz
Nominal voltage	220-240 V
DC input voltage	No
230V Cable length	1 m

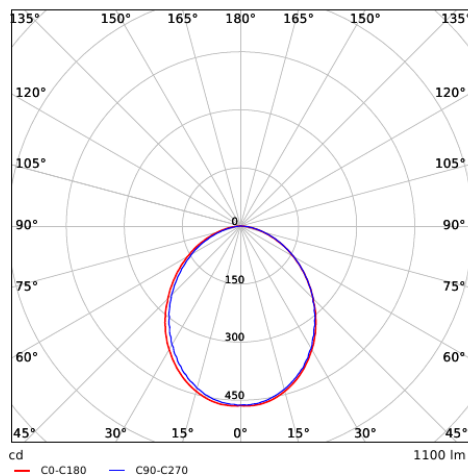
Mechanical Properties	
Housing material	Die-casted Aluminum
Optical material	Polycarbonate
Cover material	Tempered glass
Coastal proof	Yes

Ambient Conditions	
Operating temperature	-20-+40°C
Operating temperature MD	-20-+40°C
Application temperature	+25°C
Storage environment	-40-+60°C

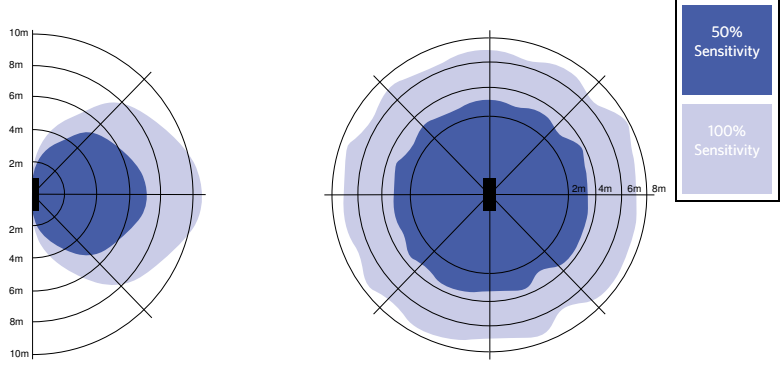
### Dimensional Drawing (mm)



### Photometric Data



## Motion sensors - Detection range



Installation - Wall mounted  
Suggested installation height 1.5-3m

Installation - Ceiling mounted  
Suggested installation height 1.5-3m