



## Floodlight Olympus

- Professional luminaire with die-cast aluminium body for sports and area lighting
- Separate driver with flexible mounting methods
- Robust design: full IP66 and IK08 protection, including safety cable
- Equipped with DALI dimming for further energy saving
- Equipped with breather to prevent condensation
- Aiming device for perfect alignment available as accessory
- Equipped with IP68 connector



The driver is mandatory and must be ordered separately.

## Specifications

Item Code	Item Description	Equivalent to (W)	Power (W)	Lumen	Efficacy (lm/W)	CCT (K)	Beam angle	Weight (kg/pc)
Luminaire (excluding driver)								
709000085300	LEDFloodOly-P Re700-1000W-740-XN-LUM	HID 2000W	1000	160000	160	4000	30°	19.90

## Accessories



709098001800  
FloodOly-P Aiming-Device



709098001600  
FloodOly-P Mounting-Kit-Out-Pole



709098003300  
FloodOly-P Visor-Fixed-XN/N/W-1Mod

## Packaging Information

Item		Box					
Item Code	Item Description	EU HS Code	Dimensions (mm) (LxWxH)	Gross Weight (kg)	EAN	pc/box	
709000085300	LEDFloodOly-P Re700-1000W-740-XN-LUM	94051190	910x630x295	23.60	6931783016084	1	
542098001000	LEDTrunking DALI Power Supply	85044083	198x54x39	0.24	6945730496614	1	
709098000800	FloodOly-P Driver-Box-Out-1000W-DALI	85369010	560x345x270	14.60	6931783016374	1	
709098001400	FloodOly-P Driver-Box-In-1000W-DALI	85369010	580x225x190	9.80	6931783016459	1	
709098001600	FloodOly-P Mounting-Kit-Out-Pole	94059900	420x240x290	5.50	6931783016480	1	
709098001800	FloodOly-P Aiming-Device	94051190	390x355x305	10.70	6931783016497	1	
709098003300	FloodOly-P Visor-Fixed-XN/N/W-1Mod	94059900	490x145x110	0.35	6931783026342	1	

Technical Specifications	
Lifetime (L70)	100,000 h
Lifetime (L80)	100,000 h
On-/Off-cycles	100,000
Colour consistency (SDCM)	6
Dimmability	DALI2
Finishing	Black
Colour rendering index (CRI)	> 70
Degree of protection (IP)	IP66
Impact strength	IK08
Protection class	I
Risk group (EN 62471)	RG1
With control gear	No
Glow wire test	850°C
Power factor	≥ 0.9
Surge protection	20 kV

Electrical Supply	
Frequency	50/60 Hz
Nominal voltage	220-240 V
DC input voltage	See catalogue appendix Connection Specifications

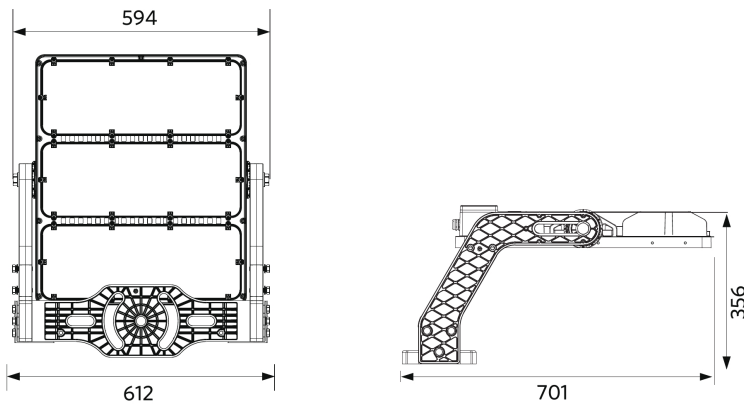
Mechanical Properties	
Housing material	Aluminum
Optical material	Polycarbonate
Cover material	Polycarbonate
Coastal proof	Yes

Ambient Conditions	
Operating temperature	-30-+45°C
Application temperature	+25°C
Storage environment	-30-+50°C



## Dimensional Drawing (mm)

LEDfloodOly-P Re700  
1000W & 1200W



## Photometric Data

