

Floodlight Olympus

- Professional luminaire with die-cast aluminium body for sports and area lighting
- Flexible driver mounting methods
- Robust design: full IP66 and IK08 protection, including safety cable
- Equipped with DALI dimming for further energy saving
- Equipped with breather to prevent condensation
- Aiming device for perfect alignment available as accessory



The driver is mandatory and must be ordered separately.

Specifications

| Item Code | Item Description | Equivalent to (W) | Power (W) | Lumen | Efficacy (lm/W) | CCT (K) | Beam angle | Weight (kg/pc) |
|-------------------------------------|---------------------------------------|-------------------|-----------|--------|-----------------|---------|------------|----------------|
| Luminaire (excluding driver) | | | | | | | | |
| 709000086100 | LED FloodOly-P Re700-1200W-730-AS-LUM | HID 2000W | 1200 | 168000 | 140 | 3000 | 38° x 108° | 19.90 |

Accessories



709098001800
FloodOly-P Aiming-Device



709098001600
FloodOly-P Mounting-Kit-Out-Pole



709098003200
FloodOly-P Visor-Fixed-AS-Side-1Mod

Packaging Information

| Item | | | Box | | | |
|--------------|---------------------------------------|------------|-------------------------|-------------------|---------------|--------|
| Item Code | Item Description | EU HS Code | Dimensions (mm) (LxWxH) | Gross Weight (kg) | EAN | pc/box |
| 709000086100 | LED FloodOly-P Re700-1200W-730-AS-LUM | 94051190 | 910x630x295 | 23.60 | 6931783016169 | 1 |
| 542098001000 | LED Trunking DALI Power Supply | 85044083 | 198x54x39 | 0.24 | 6945730496614 | 1 |
| 709098000900 | FloodOly-P Driver-Box-Out-1200W-DALI | 85369010 | 560x345x270 | 17.15 | 6931783016381 | 1 |
| 709098001500 | FloodOly-P Driver-Box-In-1200W-DALI | 85369010 | 580x225x190 | 12.48 | 6931783016466 | 1 |
| 709098001600 | FloodOly-P Mounting-Kit-Out-Pole | 94059900 | 420x240x290 | 5.50 | 6931783016480 | 1 |
| 709098001800 | FloodOly-P Aiming-Device | 94051190 | 390x355x305 | 10.70 | 6931783016497 | 1 |
| 709098003200 | FloodOly-P Visor-Fixed-AS-Side-1Mod | 94059900 | 490x185x100 | 0.29 | 6931783026335 | 1 |

Technical Specifications

| | |
|------------------------------|-----------|
| Lifetime (L70) | 100,000 h |
| Lifetime (L80) | 100,000 h |
| On-/Off-cycles | 100,000 |
| Colour consistency (SDCM) | 6 |
| Dimmability | DALI2 |
| Finishing | Black |
| Colour rendering index (CRI) | > 70 |
| Degree of protection (IP) | IP66 |
| Impact strength | IK08 |
| Protection class | I |
| Risk group (EN 62471) | RG1 |
| With control gear | No |
| Glow wire test | 850°C |
| Power factor | ≥ 0.9 |
| Surge protection | 20 kV |

Electrical Supply

| | |
|------------------|--|
| Frequency | 50/60 Hz |
| Nominal voltage | 220-240 V |
| DC input voltage | See catalogue appendix Connection Specifications |

Mechanical Properties

| | |
|------------------|---------------|
| Housing material | Aluminum |
| Optical material | Polycarbonate |
| Cover material | Polycarbonate |
| Coastal proof | Yes |

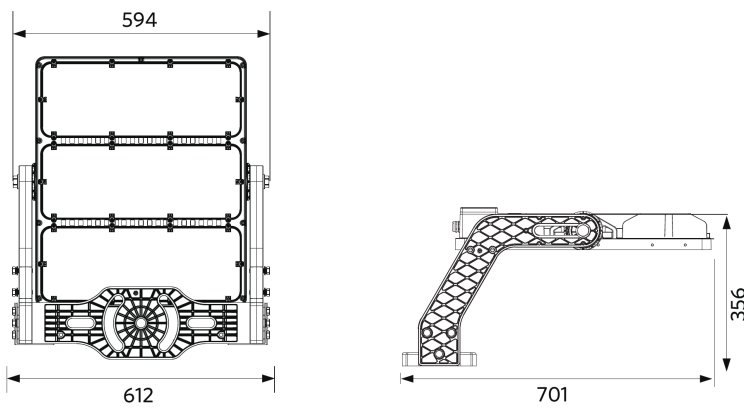
Ambient Conditions

| | |
|-------------------------|-----------|
| Operating temperature | -30-+45°C |
| Application temperature | +25°C |
| Storage environment | -30-+50°C |



Dimensional Drawing (mm)

LEDfloodOly-P Re700
1000W & 1200W



Photometric Data

