



- NEW: Wireless communication based on future-proof, standardized Bluetooth SIG Mesh protocol
- Completely wireless operating switch for use in OPPLE Smart Lighting System
- Simple on/off switching and dimming of the Smart Lighting luminaires
- Equipped with 4 extra button activate created light scenes
- Compatible with OPPLE BLE2 Smart Sensors
- Very easy to set up with the OPPLE Smart Lighting App, Smart Connect Box or Smart Web Interface
- Complete wireless communication via standardized Bluetooth® Low Energy (BLE) SIG Mesh protocol



## Specifications

Item Code	Item Description
821009000200	LEDSmart-BLE2-Switch

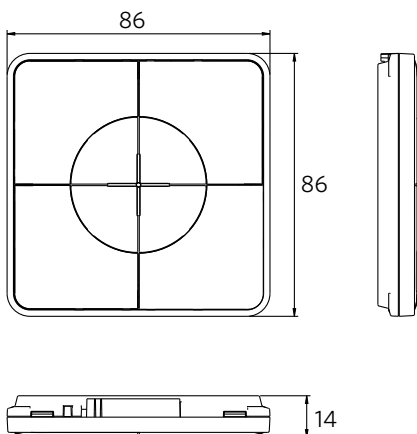
Technical Specifications	
IP-class	IP20
IK-class	IK02
Finishing	White RAL9003
Communication	Oppl Bluetooth® Low Energy Mesh (BLE2)

Electrical Supply	
Nominal voltage	3
Type of battery (incl.)	CR2430
Min. lifespan battery	2 years



Mechanical Properties	
Material housing	PC

## Dimensional drawing (mm)



821009000200 - LEDSmart-BLE2-Switch

Can be installed using the supplied screws or affixing strips, or directly to the wall socket.

