

Ceiling Light Apollo Basic

- Cost effective wall/ceiling luminaire with comfortable diffused light
- IP44, suitable for bathrooms and comparable spaces
- Available in 3 lumen packages and 2 colors



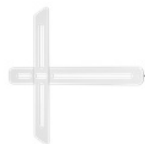
Specifications

Item Code	Item Description	Equivalent to (W)	Power (W)	Lumen	Efficacy (lm/W)	CCT (K)	Weight (kg/pc)
On-Off							
520028005600	LED HC260 11W 2700K Apollo B	GLS 75W	11	950	86	2700	0.27
520028005700	LED HC260 11W 4000K Apollo B	GLS 75W	11	1050	95	4000	0.27
520021004400	LED HC350 17W 2700K Apollo B	GLS 100W	17	1500	88	2700	0.56
520021004500	LED HC350 17W 4000K Apollo B	GLS 100W	17	1600	94	4000	0.56
520021004600	LED HC350 23W 2700K Apollo B	GLS 100W	23	2100	91	2700	0.56
520021004700	LED HC350 23W 4000K Apollo B	GLS 100W	23	2200	96	4000	0.56

Accessories



140060553
LED Module sensor CT



520098001800
LED Apollo HC350 bracket

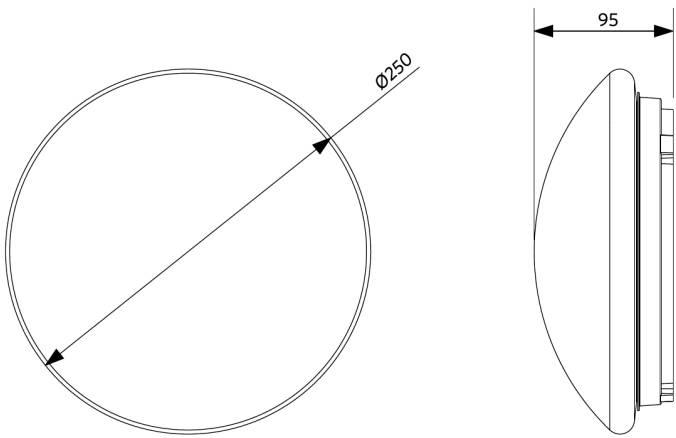
Sensor only for 17W and 23W versions. Sensor range 12m.
HC350 Bracket sold per 3.

Technical Specifications		Electrical Supply	
Lifetime (L70)	30,000 h	Frequency	50/60 Hz
Lifetime (L80)	20,000 h	Nominal voltage	220-240 V
On-/Off-cycles	100,000	DC input voltage	No
Dimmability	On-Off	Mechanical Properties	
Beam angle	120°	Housing material	Steel
Finishing	White RAL9003	Optical material	Polycarbonate
Colour rendering index (CRI)	> 80	Ambient Conditions	
Degree of protection (IP)	IP44	Operating temperature	-20-+45°C
Impact strength	IK03	Application temperature	+25°C
Protection class	II	Storage environment	-25-+50°C
Risk group (EN 62471)	RG0		
With control gear	Yes		

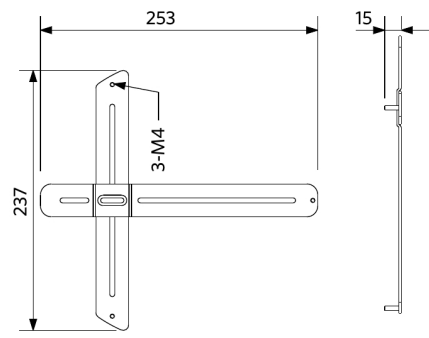


Dimensional Drawing (mm)

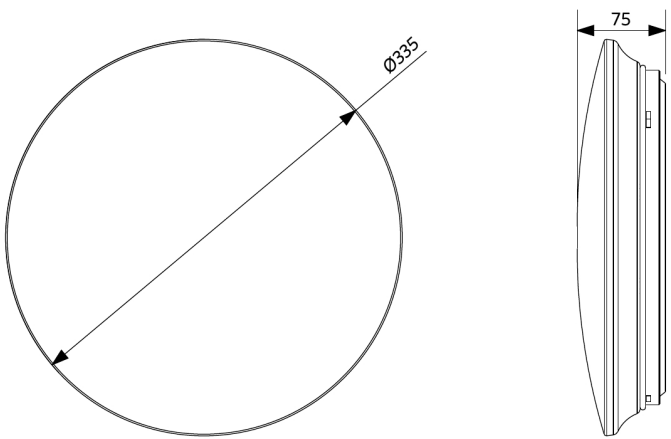
LED HC260
11W



LED HC350
Bracket



LED HC350
17W & 23W



LED
Module sensor CT

