



Downlight Performer HG

- NEW for BLE2 versions: improved wireless communication based on future-proof, standardized Bluetooth SIG Mesh protocol
- Advanced high quality LED downlight
- Unique optical lens concept with high gloss (HG) reflector and low glare
- Low luminaire height (max 73mm)
- Tunable white Smart version available (2700-6500K)
- Direct replacement for compact fluorescent downlights
- IP44 on light emitting side
- Provided with protective foil in order to protect the optics against dust and dirt during the installation
- DALI2 driver compatible with 230V push dimming



Specifications

Item Code	Item Description	Equivalent to (W)	Power (W)	Lumen	Efficacy (lm/W)	UGR	CCT (K)	Colour rendering index (CRI)	Weight (kg/pc)
On-Off									
140057154	LEDDownlightRc-P-HG R150-11.5W-3000	CFL 1x18W	11.5	1240	108	≤ 19	3000	> 80	0.45
140057155	LEDDownlightRc-P-HG R150-11.5W-4000	CFL 1x18W	11.5	1265	110	≤ 19	4000	> 80	0.45
140057152	LEDDownlightRc-P-HG R200-15W-3000	CFL 1x26W	15	1620	108	≤ 19	3000	> 80	0.76
140057153	LEDDownlightRc-P-HG R200-15W-4000	CFL 1x26W	15	1650	110	≤ 19	4000	> 80	0.76
140057156	LEDDownlightRc-P-HG R200-23W-3000	CFL 2x26W	23	2480	108	≤ 19	3000	> 80	0.76
140057157	LEDDownlightRc-P-HG R200-23W-4000	CFL 2x26W	23	2530	110	≤ 19	4000	> 80	0.76
540001084000	LEDDownlightRc-P-HG R200-23W-940	CFL 2x26W	23	2530	110	≤ 19	4000	> 90	0.76
140057158	LEDDownlightRc-P-HG R200-33W-3000	CFL 2x32W	33	3560	108	≤ 22	3000	> 80	0.76
140057159	LEDDownlightRc-P-HG R200-33W-4000	CFL 2x32W	33	3630	110	≤ 22	4000	> 80	0.76
DALI2									
140057162	LEDDownlightRc-P-HG R150-11.5W-DALI-3000	CFL 1x18W	11.5	1240	108	≤ 19	3000	> 80	0.45
140057163	LEDDownlightRc-P-HG R150-11.5W-DALI-4000	CFL 1x18W	11.5	1265	110	≤ 19	4000	> 80	0.45
140057160	LEDDownlightRc-P-HG R200-15W-DALI-3000	CFL 1x26W	15	1620	108	≤ 19	3000	> 80	0.76
140057161	LEDDownlightRc-P-HG R200-15W-DALI-4000	CFL 1x26W	15	1650	110	≤ 19	4000	> 80	0.76
140057164	LEDDownlightRc-P-HG R200-23W-DALI-3000	CFL 2x26W	23	2480	108	≤ 19	3000	> 80	0.76
140057165	LEDDownlightRc-P-HG R200-23W-DALI-4000	CFL 2x26W	23	2530	110	≤ 19	4000	> 80	0.76
540001084800	LEDDownlightRc-P-HG R200-23W-DALI-940	CFL 2x26W	23	2530	110	≤ 19	4000	> 90	0.76
140057166	LEDDownlightRc-P-HG R200-33W-DALI-3000	CFL 2x32W	33	3560	108	≤ 22	3000	> 80	0.76
140057167	LEDDownlightRc-P-HG R200-33W-DALI-4000	CFL 2x32W	33	3630	110	≤ 22	4000	> 80	0.76

Item Code	Item Description	Equivalent to (W)	Power (W)	Lumen	Efficacy (lm/W)	UGR	CCT (K)	Colour rendering index (CRI)	Weight (kg/pc)
Smart									
540001334800	LEDDownlightRc-P-HG R150-11.5W-BLE2-3000	CFL 1x18W	11.5	1240	108	≤19	3000	> 80	0.53
540001334900	LEDDownlightRc-P-HG R150-11.5W-BLE2-4000	CFL 1x18W	11.5	1265	110	≤19	4000	> 80	0.53
540001335000	LEDDownlightRc-P-HG R200-15W-BLE2-3000	CFL 1x26W	15	1620	108	≤19	3000	> 80	0.84
540001335100	LEDDownlightRc-P-HG R200-15W-BLE2-4000	CFL 1x26W	15	1650	110	≤19	4000	> 80	0.84
540001334300	LEDDownlightRc-P-HG R200-23W-BLE2-3000	CFL 2x26W	23	2480	108	≤19	3000	> 80	0.84
540001334400	LEDDownlightRc-P-HG R200-23W-BLE2-4000	CFL 2x26W	23	2530	110	≤19	4000	> 80	0.84
540001334700	LEDDownlightRc-P-HG R200-23W-BLE2-940	CFL 2x26W	23	2530	110	≤19	4000	> 90	0.84
540001334500	LEDDownlightRc-P-HG R200-33W-BLE2-3000	CFL 2x32W	33	3560	108	≤22	3000	> 80	0.84
540001334600	LEDDownlightRc-P-HG R200-33W-BLE2-4000	CFL 2x32W	33	3630	110	≤22	4000	> 80	0.84
Smart Tunable White									
540001335200	LEDDownlightRc-P-HG R200-25W-BLE2-TW	CFL 2x26W	25	2650	106	≤19	2700-6500	> 80	0.92

Available on request with Wieland GST18 or WAGO WINSTA connector, or Euro/Schuko plug. DALI2 versions are compatible with central emergency lighting according to EN 50172.

Accessories



140060646
LEDDownlightRc-P-HZ-Adapter-150-175



140061242
LEDDownlightRc-P-R150-Surface-Module-WH



549098001300
LEDDownlightRc-P EM-kit 1h



542098000800
LEDPanelRC-SI U19 EM-kit 1h



542098030700
Junction-Box-WH

140060647
LEDDownlightRc-P-SI-E-Adapter-200-225

140061243
LEDDownlightRc-P-R200-Surface-Module-WH

549098001400
LEDDownlightRc-P EM-kit 3h

542098000900
LEDPanelRC-SI U19 EM-kit 3h

140060648
LEDDownlightRc-P-SI-E-Adapter-200-250

See appendix Adapter Rings Overview for adapter ring dimensional drawings.

Technical Specifications

Lifetime (L70)	70,000 h
Lifetime (L80)	50,000 h
On-/Off-cycles	100,000
Colour consistency (SDCM)	3
Dimmability	On-Off / DALI / BLE2
Beam angle	70°
Finishing	White RAL9003
IP front side	IP44
IP recessed part	IP20
Impact strength	IK02
Protection class	II
Risk group (EN 62471)	RG0 / RG1 (23W & 33W)
With control gear	Yes
Glow wire test	650°C
Power factor	≥ 0.9

Electrical Supply

Frequency	50/60 Hz
Nominal voltage	220-240 V
DC input voltage	See catalogue appendix Connection Specifications
230V Cable length	0.3 m

Mechanical Properties

Housing material	Die-casted Aluminum
Optical material	Polycarbonate

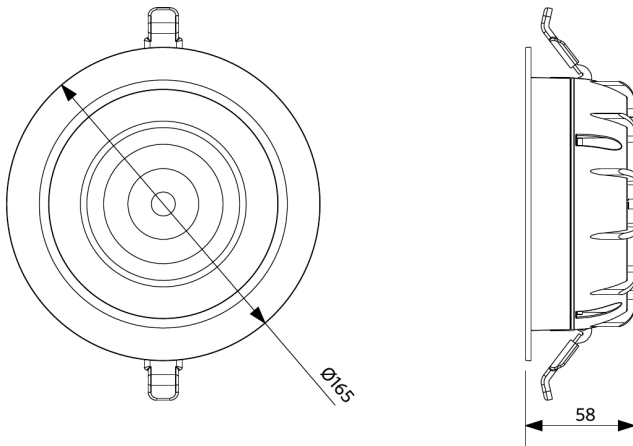
Ambient Conditions

Operating temperature	-10-+40°C
Application temperature	+25°C
Storage environment	-25-+50°C

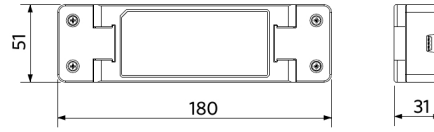


Dimensional Drawing (mm)

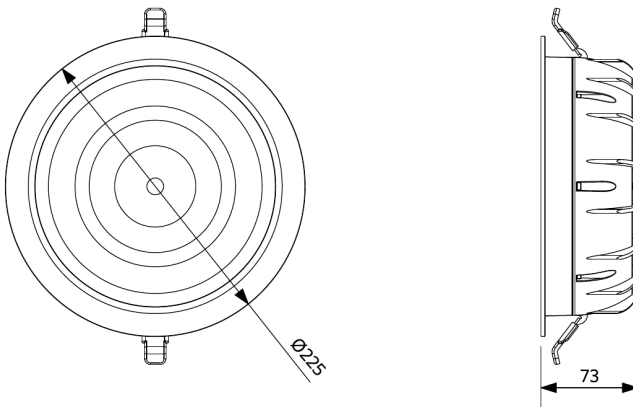
LEDDownlightRc-P-HG R150



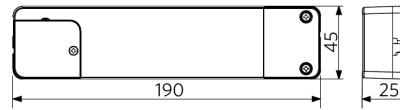
LEDDownlight Driver



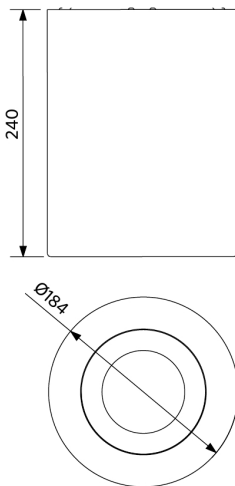
LEDDownlightRc-P-HG R200



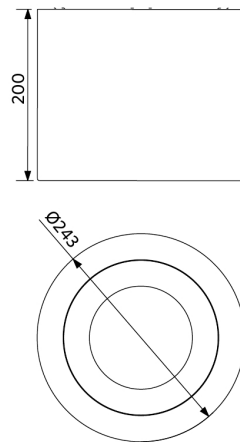
LEDDownlight Driver Tunable White



LEDDownlightRc-P-HG R150
LEDDownlightRc-P-R150-Surface-Module

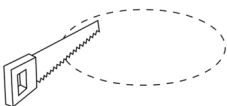


LEDDownlightRc-P-HG R200
LEDDownlightRc-P-R200-Surface-Module



Installation Opening Drawing (mm)

LEDDownlightRc-P-HG R150
Ø150



LEDDownlightRc-P-HG R200
Ø200

