



- NEW for BLE2 versions: improved wireless communication based on future-proof, standardized Bluetooth SIG Mesh protocol
- Advanced high quality LED downlight
- Unique optical lens concept with matte white (MW) reflector and low glare
- Low luminaire height (max 73mm)
- Tunable white Smart version available (2700-6500K)
- Direct replacement for compact fluorescent downlights
- IP44 on light emitting side
- Provided with protective foil in order to protect the optics against dust and dirt during the installation
- DALI2 driver compatible with 230V push dimming

Specifications

Item Code	Item Description	Equivalent to (W)	Power (W)	Lumen	Efficacy (lm/W)	UGR	CCT (K)	Colour rendering index (CRI)	Weight (kg/pc)
On-Off									
140057170	LEDDownlightRc-P-MW R150-11.5W-3000	CFL 1x18W	11.5	1240	108	≤22	3000	> 80	0.45
140057171	LEDDownlightRc-P-MW R150-11.5W-4000	CFL 1x18W	11.5	1265	110	≤22	4000	> 80	0.45
140057168	LEDDownlightRc-P-MW R200-15W-3000	CFL 1x26W	15	1620	108	≤19	3000	> 80	0.76
140057169	LEDDownlightRc-P-MW R200-15W-4000	CFL 1x26W	15	1650	110	≤19	4000	> 80	0.76
140057172	LEDDownlightRc-P-MW R200-23W-3000	CFL 2x26W	23	2480	108	≤22	3000	> 80	0.76
140057173	LEDDownlightRc-P-MW R200-23W-4000	CFL 2x26W	23	2530	110	≤22	4000	> 80	0.76
540001086400	LEDDownlightRc-P-MW R200-23W-940	CFL 2x26W	23	2530	110	≤22	4000	> 90	0.76
140057174	LEDDownlightRc-P-MW R200-33W-3000	CFL 2x32W	33	3560	108	≤22	3000	> 80	0.76
140057175	LEDDownlightRc-P-MW R200-33W-4000	CFL 2x32W	33	3630	110	≤22	4000	> 80	0.76
540001031800	LEDDownlightRc-P-MW R200-44W-4000	HID 70W	44	5500	106	≤22	4000	> 80	0.82
DALI2									
140057178	LEDDownlightRc-P-MW R150-11.5W-DALI-3000	CFL 1x18W	11.5	1240	108	≤22	3000	> 80	0.45
140057179	LEDDownlightRc-P-MW R150-11.5W-DALI-4000	CFL 1x18W	11.5	1265	110	≤22	4000	> 80	0.45
140057176	LEDDownlightRc-P-MW R200-15W-DALI-3000	CFL 1x26W	15	1620	108	≤19	3000	> 80	0.76
140057177	LEDDownlightRc-P-MW R200-15W-DALI-4000	CFL 1x26W	15	1650	110	≤19	4000	> 80	0.76
140057180	LEDDownlightRc-P-MW R200-23W-DALI-3000	CFL 2x26W	23	2480	108	≤22	3000	> 80	0.76
140057181	LEDDownlightRc-P-MW R200-23W-DALI-4000	CFL 2x26W	23	2530	110	≤22	4000	> 80	0.76
540001087200	LEDDownlightRc-P-MW R200-23W-DALI-940	CFL 2x26W	23	2530	110	≤22	4000	> 90	0.76
140057182	LEDDownlightRc-P-MW R200-33W-DALI-3000	CFL 2x32W	33	3560	108	≤22	3000	> 80	0.76
140057183	LEDDownlightRc-P-MW R200-33W-DALI-4000	CFL 2x32W	33	3630	110	≤22	4000	> 80	0.76

Item Code	Item Description	Equivalent to (W)	Power (W)	Lumen	Efficacy (lm/W)	UGR	CCT (K)	Colour rendering index (CRI)	Weight (kg/pc)
Smart									
540001333800	LEDDownlightRc-P-MW R150-11.5W-BLE2-3000	CFL 1x18W	11.5	1240	108	≤22	3000	> 80	0.53
540001333900	LEDDownlightRc-P-MW R150-11.5W-BLE2-4000	CFL 1x18W	11.5	1265	110	≤22	4000	> 80	0.53
540001334000	LEDDownlightRc-P-MW R200-15W-BLE2-3000	CFL 1x26W	15	1620	108	≤19	3000	> 80	0.84
540001334100	LEDDownlightRc-P-MW R200-15W-BLE2-4000	CFL 1x26W	15	1650	110	≤19	4000	> 80	0.84
540001333300	LEDDownlightRc-P-MW R200-23W-BLE2-3000	CFL 2x26W	23	2480	108	≤22	3000	> 80	0.84
540001333400	LEDDownlightRc-P-MW R200-23W-BLE2-4000	CFL 2x26W	23	2530	110	≤22	4000	> 80	0.84
540001333700	LEDDownlightRc-P-MW R200-23W-BLE2-940	CFL 2x26W	23	2530	110	≤22	4000	> 90	0.84
540001333500	LEDDownlightRc-P-MW R200-33W-BLE2-3000	CFL 2x32W	33	3560	108	≤22	3000	> 80	0.84
540001333600	LEDDownlightRc-P-MW R200-33W-BLE2-4000	CFL 2x32W	33	3630	110	≤22	4000	> 80	0.84
Smart Tunable White									
540001334200	LEDDownlightRc-P-MW R200-25W-BLE2-TW	CFL 2x26W	25	2650	106	≤22	2700-6500	> 80	0.92

Available on request with Wieland GST18 or WAGO WINSTA connector, or Euro/Schuko plug. DALI2 versions are compatible with central emergency lighting according to EN 50172.

Accessories



140060646
LEDDownlightRc-P-HZ-Adapter-150-175



140061242
LEDDownlightRc-P-R150-Surface-Module-WH



549098001300
LEDDownlightRc-P EM-kit 1h



542098000800
LEDPanelRC-SI U19 EM-kit 1h



542098030700
Junction-Box-WH

140060647
LEDDownlightRc-P-SI-E-Adapter-200-225

140061243
LEDDownlightRc-P-R200-Surface-Module-WH

549098001400
LEDDownlightRc-P EM-kit 3h

542098000900
LEDPanelRC-SI U19 EM-kit 3h

140060648
LEDDownlightRc-P-SI-E-Adapter-200-250

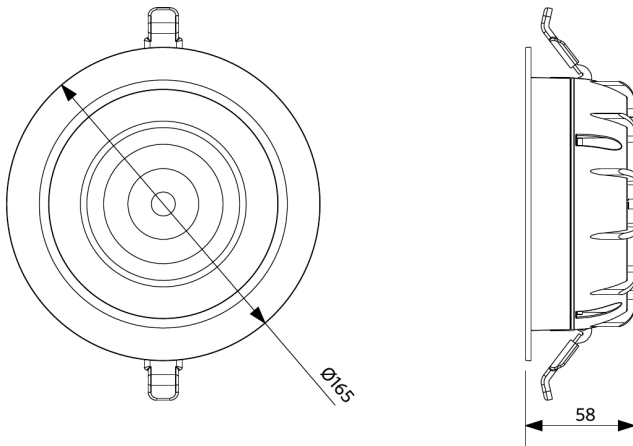
See appendix Adapter Rings Overview for adapter ring dimensional drawings.

Technical Specifications		Electrical Supply	
Lifetime (L70)	70,000 h	Frequency	50/60 Hz
Lifetime (L80)	50,000 h	Nominal voltage	220-240 V
On-/Off-cycles	100,000	DC input voltage	See catalogue appendix Connection Specifications
Colour consistency (SDCM)	3	230V Cable length	0.3 m
Dimmability	On-Off / DALI / BLE2	Mechanical Properties	
Beam angle	70°	Housing material	Die-casted Aluminum
Finishing	White RAL9003	Optical material	Polycarbonate
IP front side	IP44	Ambient Conditions	
IP recessed part	IP20	Operating temperature	-10-+40°C
Impact strength	IK02	Application temperature	+25°C
Protection class	II	Storage environment	-25-+50°C
Risk group (EN 62471)	RG0 / RG1 (23W, 33W & 44W)		
With control gear	Yes		
Glow wire test	650°C		
Power factor	≥ 0.9		

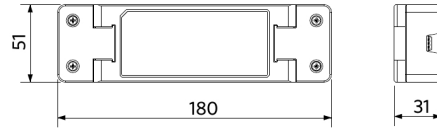


Dimensional Drawing (mm)

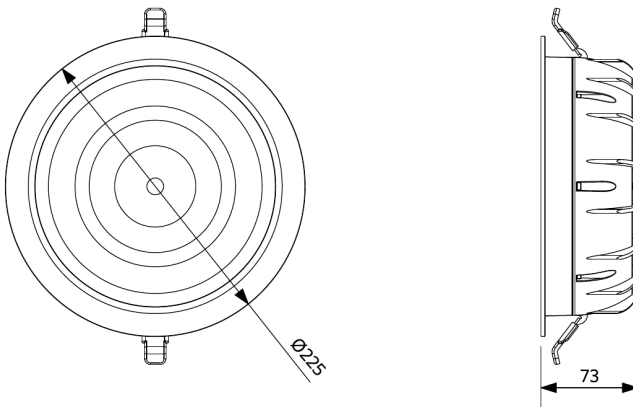
LEDDownlightRc-P-MW R150



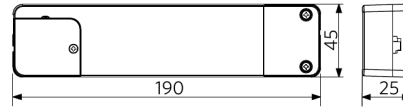
LEDDownlight Driver



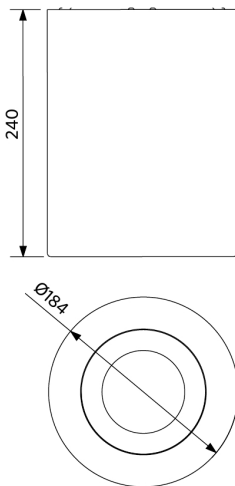
LEDDownlightRc-P-MW R200



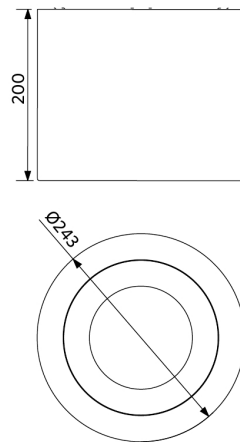
LEDDownlight Driver Tunable White



LEDDownlightRc-P-MW R150
LEDDownlightRc-P-R150-Surface-Module

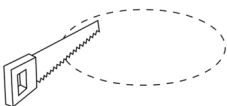


LEDDownlightRc-P-MW R200
LEDDownlightRc-P-R200-Surface-Module



Installation Opening Drawing (mm)

LEDDownlightRc-P-MW R150
Ø150



LEDDownlightRc-P-MW R200
Ø200

