



Floodlight Modulo Performer

- NEW: 380W versions available
- Precise modular optical design for area, object and facade lighting
- Super slim aluminium body with integrated heatsink
- Very high efficacy of up to 140 lm/W
- Standard asymmetric (AS) and narrow (N) beam angles available
- Robust design with high protection against water and dust
- Available in wide range from 9,800 up to 53,200 lumen
- IP66 and suitable for use on coastal applications
- Equipped with breather to prevent condensation



Specifications

| Item Code | Item Description | Equivalent to (W) | Power (W) | Lumen | Efficacy (lm/W) | CCT (K) | Beam angle | Surge protection | Weight (kg/pc) |
|---------------|--------------------------------|-------------------|-----------|-------|-----------------|---------|------------|------------------|----------------|
| On-Off | | | | | | | | | |
| 709000056900 | LEDfloodMo-P Re340-70W-840-AS | HID 150W | 70 | 9800 | 140 | 4000 | 40° x 100° | 10 kV | 4.40 |
| 709000057500 | LEDfloodMo-P Re340-100W-840-AS | HID 250W | 100 | 14000 | 140 | 4000 | 40° x 100° | 10 kV | 4.40 |
| 709000058100 | LEDfloodMo-P Re450-150W-840-AS | HID 400W | 150 | 21000 | 140 | 4000 | 40° x 100° | 6 kV | 5.70 |
| 709000058500 | LEDfloodMo-P Re450-200W-840-N | HID 400W | 200 | 28000 | 140 | 4000 | 45° | 6 kV | 5.70 |
| 709000058700 | LEDfloodMo-P Re450-200W-840-AS | HID 400W | 200 | 28000 | 140 | 4000 | 40° x 100° | 6 kV | 5.70 |
| 709000058800 | LEDfloodMo-P Re450-200W-857-N | HID 400W | 200 | 28000 | 140 | 5700 | 45° | 6 kV | 5.70 |
| 709000059000 | LEDfloodMo-P Re450-200W-857-AS | HID 400W | 200 | 28000 | 140 | 5700 | 40° x 100° | 6 kV | 5.70 |
| 709000059100 | LEDfloodMo-P Re570-250W-840-N | HID 2x250W | 250 | 35000 | 140 | 4000 | 45° | 10 kV | 7.67 |
| 709000059300 | LEDfloodMo-P Re570-250W-840-AS | HID 2x250W | 250 | 35000 | 140 | 4000 | 40° x 100° | 10 kV | 7.67 |
| 709000059400 | LEDfloodMo-P Re570-250W-857-N | HID 2x250W | 250 | 35000 | 140 | 5700 | 45° | 10 kV | 7.67 |
| 709000059600 | LEDfloodMo-P Re570-250W-857-AS | HID 2x250W | 250 | 35000 | 140 | 5700 | 40° x 100° | 10 kV | 7.67 |
| 709000059700 | LEDfloodMo-P Re570-300W-840-N | HID 2x400W | 300 | 42000 | 140 | 4000 | 45° | 10 kV | 7.67 |
| 709000059900 | LEDfloodMo-P Re570-300W-840-AS | HID 2x400W | 300 | 42000 | 140 | 4000 | 40° x 100° | 10 kV | 7.67 |
| 709000060000 | LEDfloodMo-P Re570-300W-857-N | HID 2x400W | 300 | 42000 | 140 | 5700 | 45° | 10 kV | 7.67 |
| 709000060200 | LEDfloodMo-P Re570-300W-857-AS | HID 2x400W | 300 | 42000 | 140 | 5700 | 40° x 100° | 10 kV | 7.67 |
| 709000078300 | LEDfloodMo-P Re570-380W-840-N | HID 500W | 380 | 53200 | 140 | 4000 | 45° | 10 kV | 7.67 |
| 709000078500 | LEDfloodMo-P Re570-380W-840-AS | HID 500W | 380 | 53200 | 140 | 4000 | 40° x 100° | 10 kV | 7.67 |
| 709000078600 | LEDfloodMo-P Re570-380W-857-N | HID 500W | 380 | 53200 | 140 | 5700 | 45° | 10 kV | 7.67 |
| 709000078800 | LEDfloodMo-P Re570-380W-857-AS | HID 500W | 380 | 53200 | 140 | 5700 | 40° x 100° | 10 kV | 7.67 |

Accessories



543098021900
LEDFixture-IP68-Connector-Kit-3



599000004600
LEDStreet-SE-ExtensionCable-6m

| Technical Specifications | |
|------------------------------|----------------|
| Lifetime (L70) | 100,000 h |
| Lifetime (L80) | 70,000 h |
| Lifetime (L90) | 50,000 h |
| On-/Off-cycles | 100,000 |
| Colour consistency (SDCM) | 4 |
| Dimmability | On-Off |
| Finishing | Grey RAL 870-3 |
| Colour rendering index (CRI) | > 80 |
| Degree of protection (IP) | IP66 |
| Impact strength | IK08 |
| Protection class | I |
| Risk group (EN 62471) | RG1 |
| With control gear | Yes |
| Glow wire test | 850°C |
| Power factor | ≥ 0.9 |

| Electrical Supply | |
|-------------------|-----------|
| Frequency | 50/60 Hz |
| Nominal voltage | 220-240 V |
| DC input voltage | No |
| 230V Cable length | 1 m |

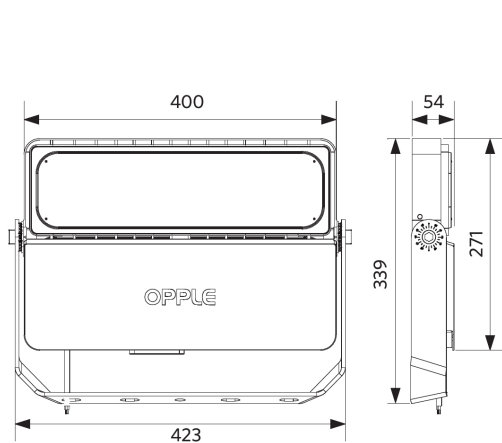
| Mechanical Properties | |
|-----------------------|---------------------|
| Housing material | Die-casted Aluminum |
| Optical material | Polycarbonate |
| Cover material | Polycarbonate |
| Coastal proof | Yes |

| Ambient Conditions | |
|-------------------------|-----------|
| Operating temperature | -40-+50°C |
| Application temperature | +25°C |
| Storage environment | -40-+50°C |

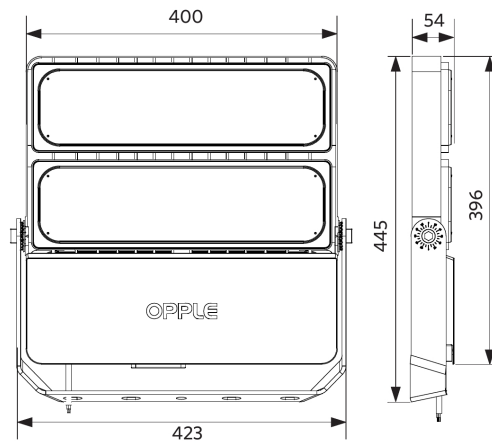


Dimensional Drawing (mm)

LED Flood Mo-P Re340



LED Flood Mo-P Re450



LED Flood Mo-P Re570

