



Ceiling Light Luna

- Stylish and compact ceiling luminaire
- Clean “twist-and-lock” mounting system
- High quality full metal body
- Low height of only 46mm
- High efficacy up to 95 lm/W
- Full range: 4 powers and 3 sizes
- Suitable for ceiling and wall mounting
- Available in black (BL) and white (WH)



Specifications

Item Code	Item Description	Equivalent to (W)	Power (W)	Lumen	Efficacy (lm/W)	CCT (K)	Weight (kg/pc)
On-Off							
540001295100	LEDceilingLu-E Rd87-9W-830-WH	CFL 1x18W	9	810	90	3000	0.10
540001295500	LEDceilingLu-E Rd87-9W-830-BL	CFL 1x18W	9	810	90	3000	0.10
540001296300	LEDceilingLu-E Rd87-9W-840-WH	CFL 1x18W	9	855	95	4000	0.10
540001295600	LEDceilingLu-E Rd87-9W-840-BL	CFL 1x18W	9	855	95	4000	0.10
540001295200	LEDceilingLu-E Rd112-14W-830-WH	CFL 1x26W	14	1190	85	3000	0.17
540001295700	LEDceilingLu-E Rd112-14W-830-BL	CFL 1x26W	14	1190	85	3000	0.17
540001296400	LEDceilingLu-E Rd112-14W-840-WH	CFL 1x26W	14	1260	90	4000	0.17
540001295800	LEDceilingLu-E Rd112-14W-840-BL	CFL 1x26W	14	1260	90	4000	0.17
540001295300	LEDceilingLu-E Rd142-18W-830-WH	CFL 2x18W	18	1620	90	3000	0.27
540001295900	LEDceilingLu-E Rd142-18W-830-BL	CFL 2x18W	18	1620	90	3000	0.27
540001296500	LEDceilingLu-E Rd142-18W-840-WH	CFL 2x18W	18	1710	95	4000	0.27
540001296000	LEDceilingLu-E Rd142-18W-840-BL	CFL 2x18W	18	1710	95	4000	0.27
540001295400	LEDceilingLu-E Rd142-24W-830-WH	CFL 2x26W	24	2040	85	3000	0.27
540001296100	LEDceilingLu-E Rd142-24W-830-BL	CFL 2x26W	24	2040	85	3000	0.27
540001296600	LEDceilingLu-E Rd142-24W-840-WH	CFL 2x26W	24	2160	90	4000	0.27
540001296200	LEDceilingLu-E Rd142-24W-840-BL	CFL 2x26W	24	2160	90	4000	0.27

5 YEARS WARRANTY



Technical Specifications	
Lifetime (L70)	50,000 h
Lifetime (L80)	30,000 h
On-/Off-cycles	100,000
Dimmability	On-Off
Beam angle	100°
Finishing	White RAL9003 / Black
Colour rendering index (CRI)	> 80
Degree of protection (IP)	IP20
Impact strength	IK02
Protection class	II
Risk group (EN 62471)	RG0
With control gear	Yes
Displacement factor (DF)	≥ 0.9

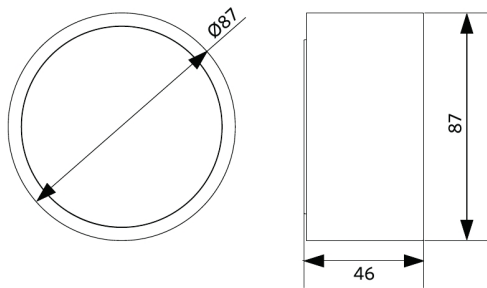
Electrical Supply	
Frequency	50/60 Hz
Nominal voltage	220-240 V
DC input voltage	No

Mechanical Properties	
Housing material	Aluminum
Optical material	Polycarbonate

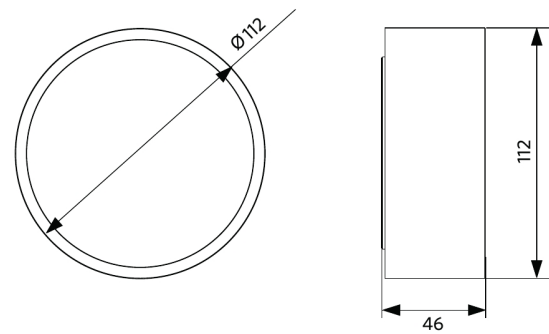
Ambient Conditions	
Operating temperature	-10-+45°C
Application temperature	+25°C
Storage environment	-25-+50°C

Dimensional Drawing (mm)

LEDCeilingLu-E Rd87



LEDCeilingLu-E Rd112



LEDCeilingLu-E Rd142

