



Post Top

- NEW: DALI2 versions available for 33W and 50W
- Professional post-top solution with optimal light performance
- Integrates well into existing landscape
- Different optics to suit the application and reduce glare
- Die casted aluminium body for optimal heat dissipation
- Available in two pole sizes for more application flexibility
- IP66 and suitable for use on coastal applications



Specifications

Item Code	Item Description	Equivalent to (W)	Power (W)	Lumen	Efficacy (lm/W)	CCT (K)	Beam angle	Compatible pole Ø (mm)	Weight (kg/pc)
On-Off									
543016006000	LEDPostTop-P 33W-3000-W	HID 50W	33	4300	130	3000	160°	60 mm	7.68
708000000400	LEDPostTop-P 33W-3000-W-D76	HID 50W	33	4300	130	3000	160°	76 mm	7.68
543016005700	LEDPostTop-P 33W-3000-AS	HID 50W	33	4000	120	3000	45° x 150°	60 mm	7.68
708000000100	LEDPostTop-P 33W-3000-AS-D76	HID 50W	33	4000	120	3000	45° x 150°	76 mm	7.68
543016006600	LEDPostTop-P 33W-4000-W	HID 50W	33	4500	135	4000	160°	60 mm	7.68
708000001000	LEDPostTop-P 33W-4000-W-D76	HID 50W	33	4500	135	4000	160°	76 mm	7.68
543016006300	LEDPostTop-P 33W-4000-AS	HID 50W	33	4100	125	4000	50° x 150°	60 mm	7.68
708000000700	LEDPostTop-P 33W-4000-AS-D76	HID 50W	33	4100	125	4000	50° x 150°	76 mm	7.68
543016006100	LEDPostTop-P 50W-3000-W	HID 70W	50	6500	130	3000	155°	60 mm	7.72
708000000500	LEDPostTop-P 50W-3000-W-D76	HID 70W	50	6500	130	3000	155°	76 mm	7.72
543016005800	LEDPostTop-P 50W-3000-AS	HID 70W	50	6000	120	3000	40° x 150°	60 mm	7.72
708000000200	LEDPostTop-P 50W-3000-AS-D76	HID 70W	50	6000	120	3000	40° x 150°	76 mm	7.72
543016006700	LEDPostTop-P 50W-4000-W	HID 70W	50	6800	135	4000	155°	60 mm	7.72
708000001100	LEDPostTop-P 50W-4000-W-D76	HID 70W	50	6800	135	4000	155°	76 mm	7.72
543016006400	LEDPostTop-P 50W-4000-AS	HID 70W	50	6300	125	4000	40° x 150°	60 mm	7.72
708000000800	LEDPostTop-P 50W-4000-AS-D76	HID 70W	50	6300	125	4000	40° x 150°	76 mm	7.72
DALI2									
708000003900	LEDPostTop-P 33W-DALI-730-W	HID 50W	33	4300	130	3000	160°	60 mm	7.68
708000004000	LEDPostTop-P 33W-DALI-730-W-D76	HID 50W	33	4300	130	3000	160°	76 mm	7.68
708000005300	LEDPostTop-P 33W-DALI-730-AS	HID 50W	33	4000	120	3000	50° x 150°	60 mm	7.68
708000003800	LEDPostTop-P 33W-DALI-730-AS-D76	HID 50W	33	4000	120	3000	50° x 150°	76 mm	7.68
708000004200	LEDPostTop-P 33W-DALI-740-W	HID 50W	33	4500	135	4000	160°	60 mm	7.68
708000004300	LEDPostTop-P 33W-DALI-740-W-D76	HID 50W	33	4500	135	4000	160°	76 mm	7.68
708000005200	LEDPostTop-P 33W-DALI-740-AS	HID 50W	33	4100	125	4000	50° x 150°	60 mm	7.68
708000004100	LEDPostTop-P 33W-DALI-740-AS-D76	HID 50W	33	4100	125	4000	50° x 150°	76 mm	7.68

Item Code	Item Description	Equivalent to (W)	Power (W)	Lumen	Efficacy (lm/W)	CCT (K)	Beam angle	Compatible pole Ø (mm)	Weight (kg/pc)
DALI2									
708000004600	LEDPostTop-P 50W-DALI-730-W	HID 70W	50	6500	130	3000	155°	60 mm	7.72
708000004700	LEDPostTop-P 50W-DALI-730-W-D76	HID 70W	50	6500	130	3000	155°	76 mm	7.72
708000004400	LEDPostTop-P 50W-DALI-730-AS	HID 70W	50	6000	120	3000	40° x 150°	60 mm	7.72
708000004500	LEDPostTop-P 50W-DALI-730-AS-D76	HID 70W	50	6000	120	3000	40° x 150°	76 mm	7.72
708000005000	LEDPostTop-P 50W-DALI-740-W	HID 70W	50	6800	135	4000	155°	60 mm	7.72
708000005100	LEDPostTop-P 50W-DALI-740-W-D76	HID 70W	50	6800	135	4000	155°	76 mm	7.72
708000004800	LEDPostTop-P 50W-DALI-740-AS	HID 70W	50	6300	125	4000	40° x 150°	60 mm	7.72
708000004900	LEDPostTop-P 50W-DALI-740-AS-D76	HID 70W	50	6300	125	4000	40° x 150°	76 mm	7.72

For more technical information, please go to the appendix.

Accessories



599000004600
LEDStreet-SE-ExtensionCable-6m

Technical Specifications

Lifetime (L70)	100,000 h
Lifetime (L80)	70,000 h
On-/Off-cycles	100,000
Colour consistency (SDCM)	5
Dimmability	On-Off / DALI2
Finishing	Grey RAL 870-3
Colour rendering index (CRI)	> 70
Degree of protection (IP)	IP66
Impact strength	IK08
Protection class	I
Risk group (EN 62471)	RG0
With control gear	Yes
Glow wire test	850°C
Power factor	≥ 0.9
Surge protection	10 kV

Electrical Supply

Frequency	50/60 Hz
Nominal voltage	220-240 V
DC input voltage	See catalogue appendix
Connection	Specifications

Mechanical Properties

Housing material	Aluminum
Optical material	Polycarbonate
Cover material	Tempered glass
Effective wind area	1590 cm ²
Coastal proof	Yes

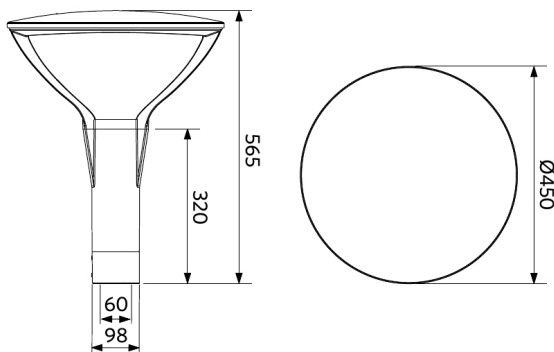
Ambient Conditions

Operating temperature	-30-+50°C
Application temperature	+25°C
Storage environment	-40-+60°C



Dimensional Drawing (mm)

LEDPostTop-P
D60



LEDPostTop-P
D76

