



- Attractive tiltable recessed spotlight with comfortable light beam
- Unique light mixing technique and optics design, UGR16
- Good beam orientation adjustment, providing great flexibility
- Full IP44 solution (8W), including IP44 LED-driver
- Available in white and aluminum with light colors 2700K, 3000K and 4000K



Specifications

Item Code	Item Description	Equivalent to (W)	Power (W)	Lumen	Efficacy (lm/W)	CCT (K)	Degree of protection (IP)	Weight (kg/pc)
Dimmable (Triac)								
140061278	LEDSpotRA HQ2 8W-Dim-2700-40D-AL-IP44	Halogen 50W	8	640	80	2700	IP44	0.40
140061279	LEDSpotRA HQ2 8W-Dim-3000-40D-AL-IP44	Halogen 50W	8	640	80	3000	IP44	0.40
140061280	LEDSpotRA HQ2 8W-Dim-4000-40D-AL-IP44	Halogen 50W	8	680	85	4000	IP44	0.40
140061281	LEDSpotRA HQ2 8W-Dim-2700-40D-WH-IP44	Halogen 50W	8	640	80	2700	IP44	0.40
140061282	LEDSpotRA HQ2 8W-Dim-3000-40D-WH-IP44	Halogen 50W	8	640	80	3000	IP44	0.40
140061283	LEDSpotRA HQ2 8W-Dim-4000-40D-WH-IP44	Halogen 50W	8	680	85	4000	IP44	0.40

Accessories



542098030700
Junction-Box-WH



821017003600
LEDsmart-BLE2-Relay-250W-DIM

Technical Specifications

Lifetime (L70)	50,000 h
Lifetime (L80)	30,000 h
On-/Off-cycles	100,000
Colour consistency (SDCM)	3.4
Dimmability	Triac
Beam angle	40°
Maximum tilt angle	23°
Finishing	White RAL9003 / Brushed Aluminum RAL 9022
Colour rendering index (CRI)	> 80
UGR	≤ 16
Impact strength	IK02
Protection class	II
Risk group (EN 62471)	RG0
With control gear	Yes
Glow wire test	850°C
Power factor	≥ 0.9

Electrical Supply

Frequency	50/60 Hz
Nominal voltage	220-240 V
DC input voltage	See catalogue appendix Connection Specifications
230V Cable length	0.3 m

Mechanical Properties

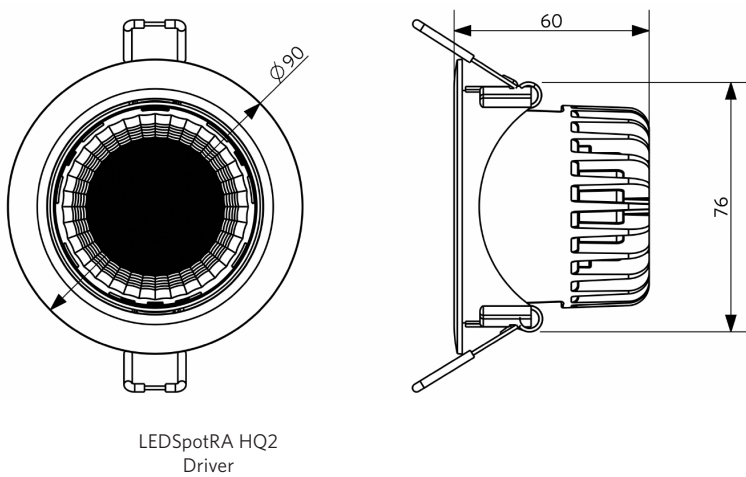
Housing material	Aluminum + Polycarbonate
Optical material	Dome shape

Ambient Conditions

Operating temperature	-10-+40°C
Application temperature	+25°C
Storage environment	-25-+50°C

**Dimensional Drawing (mm)**

LEDSpotRA HQ2

**Installation Opening Drawing (mm)**LEDSpotRA-HQ
LEDSpotRA HQ2
Ø80