



Waterproof Classic G2

- New more sleek classic waterproof solution with clip design
- Improved efficacy of 150 lm/W
- Optimized diffuser design for more uniform illumination patterns
- Power switch versions available
- Wiring from the back or side possible
- Supplied with vandal-proof stainless steel ceiling and suspension clips
- 3x2.5mm² wire through kit available as accessory



Specifications

Item Code	Item Description	Equivalent to (W)	Power (W)	Lumen	Efficacy (lm/W)	CCT (K)	Weight (kg/pc)
On-Off							
531000013000	LEDWP-CLA-P2 L600-10/18W-840	TL 1/2x18W	10/18	1500/2700	150	4000	0.81
531000013100	LEDWP-CLA-P2 L1200-18W-840	TL 1x36W	18	2700	150	4000	1.23
531000013200	LEDWP-CLA-P2 L1200-18/36W-840	TL 1/2x36W	18/36	2700/5400	150	4000	1.23
531000013300	LEDWP-CLA-P2 L1500-24W-840	TL 1x58W	24	3600	150	4000	1.55
531000013400	LEDWP-CLA-P2 L1500-24/44W-840	TL 1/2x58W	24/44	3600/6600	150	4000	1.55
531000013500	LEDWP-CLA-P2 L1500-44/56W-840	TL 2x58W	44/56	6600/8400	150	4000	1.55
Motion Detection, Daylight Detection							
531000014800	LEDWP-CLA-P2 L600-10/18W-840-MD	TL 1/2x18W	10/18	1500/2700	150	4000	0.76
531000015000	LEDWP-CLA-P2 L1200-18/36W-840-MD	TL 1/2x36W	18/36	2700/5400	150	4000	1.25
531000015200	LEDWP-CLA-P2 L1500-24/44W-840-MD	TL 1/2x58W	24/44	3600/6600	150	4000	1.57
531000015300	LEDWP-CLA-P2 L1500-44/56W-840-MD	TL 2x58W	44/56	6600/8400	150	4000	1.57
Emergency version 1 hour, On-Off							
531000015400	LEDWP-CLA-P2 L600-10/18W-840-EM1	TL 1/2x18W	10/18	1500/2700	150	4000	0.86
Emergency version 3 hours, On-Off							
531000015600	LEDWP-CLA-P2 L1200-18/36W-840-EM3	TL 1/2x36W	18/36	2700/5400	150	4000	1.54
531000015800	LEDWP-CLA-P2 L1500-24/44W-840-EM3	TL 1/2x58W	24/44	3600/6600	150	4000	1.86
531000015900	LEDWP-CLA-P2 L1500-44/56W-840-EM3	TL 2x58W	44/56	6600/8400	150	4000	1.86
Emergency version 1 hour, Motion Detection, Daylight Detection							
531000017200	LEDWP-CLA-P2 L600-10/18W-840-MD-EM1	TL 1/2x18W	10/18	1500/2700	150	4000	0.88
Emergency version 3 hours, Motion Detection, Daylight Detection							
531000017400	LEDWP-CLA-P2 L1200-18/36W-840-MD-EM3	TL 1/2x36W	18/36	2700/5400	150	4000	1.56
531000017600	LEDWP-CLA-P2 L1500-24/44W-840-MD-EM3	TL 1/2x58W	24/44	3600/6600	150	4000	1.88
531000017700	LEDWP-CLA-P2 L1500-44/56W-840-MD-EM3	TL 2x58W	44/56	6600/8400	150	4000	1.88

Accessories



531098002500
LEDWP-CLA-P2 Wirethrough-Kit



531098002700
LEDWP-CLA-P2 Sensor-Kit

Technical Specifications

Lifetime (L70)	70,000 h
Lifetime (L80)	50,000 h
On-/Off-cycles	100,000
Colour consistency (SDCM)	4
Dimmability	On-Off / Sensor controlled (MD)
Sensor type	Motion + Daylight detection (MD) / No sensor
Sensor technology	Microwave (MW) / No sensor
Beam angle	120°
Finishing	Grey RAL 7035
Colour rendering index (CRI)	> 80
Degree of protection (IP)	IP66
Impact strength	IK08
Protection class	I
Risk group (EN 62471)	RG1
With control gear	Yes
Glow wire test	850°C
Power factor	≥ 0.9
Input wire diameter	1mm ² - 2.5mm ²
Internal wiring (mm ²)	3x2.5
Max. input cable diameter (mm)	5-11 mm

Electrical Supply

Frequency	50/60 Hz
Nominal voltage	220-240 V
DC input voltage	See catalogue appendix
Connection	Specifications

Mechanical Properties

Material housing	Polycarbonate
UV resistant	Yes
Optical material	Polycarbonate
Mounting clips	Stainless steel

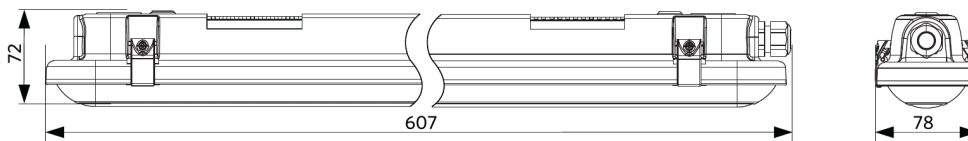
Ambient Conditions

Operating temperature	-20-+45°C
Application temperature	+25°C
Storage environment	-30-+60°C

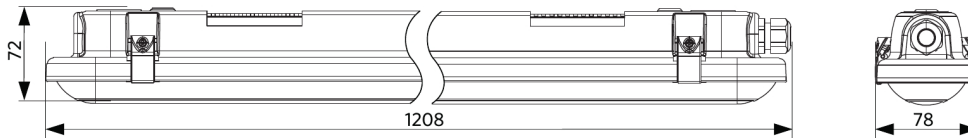


Dimensional Drawing (mm)

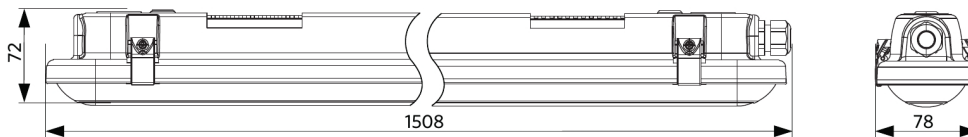
LEDWP-CLA-P2 L600



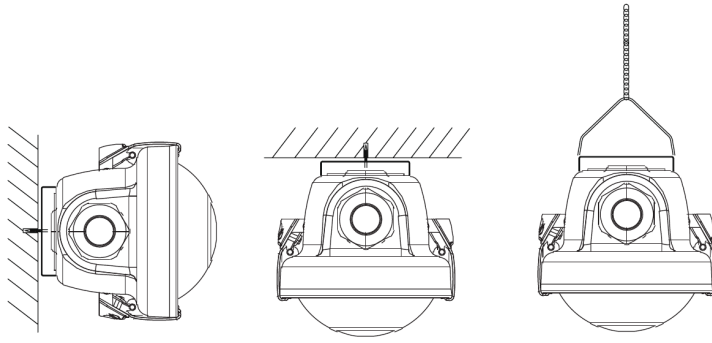
LEDWP-CLA-P2 L1200



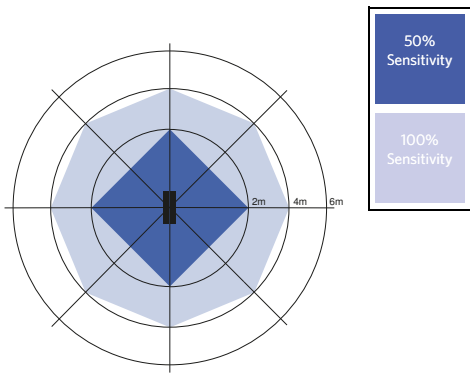
LEDWP-CLA-P2 L1500



Installation Possibilities



Motion sensors - Detection range



Installation - Ceiling mounted
Suggested installation height 3-4m