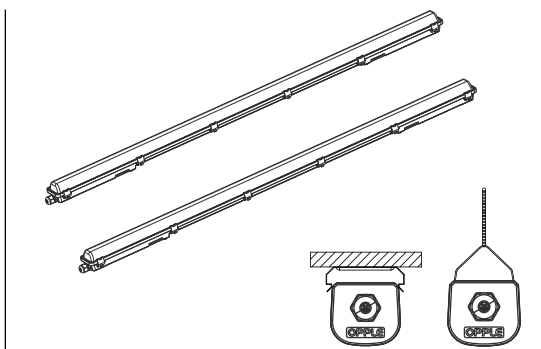
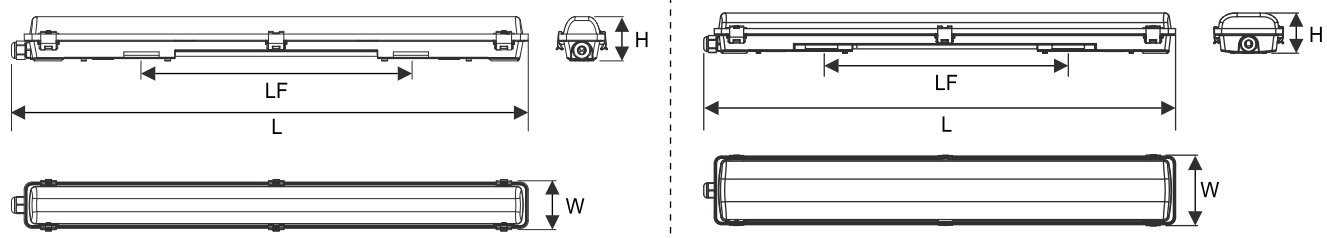


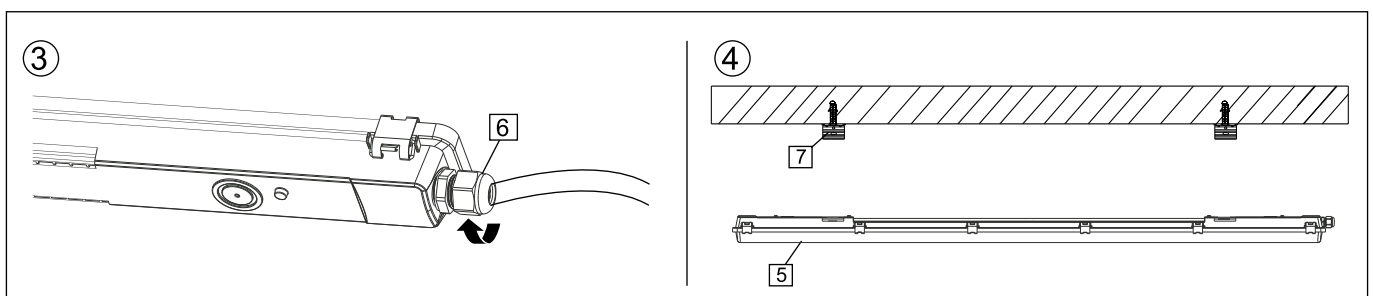
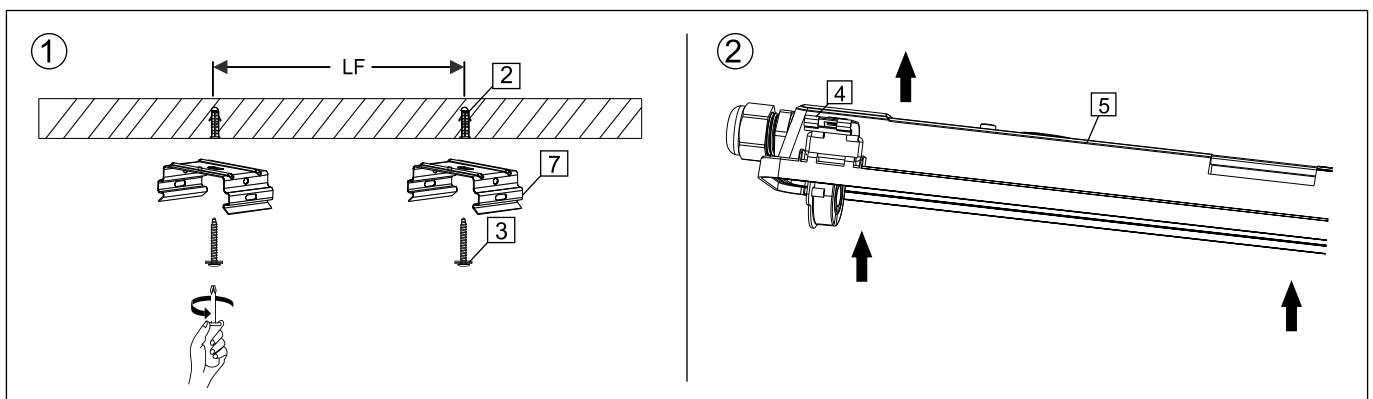
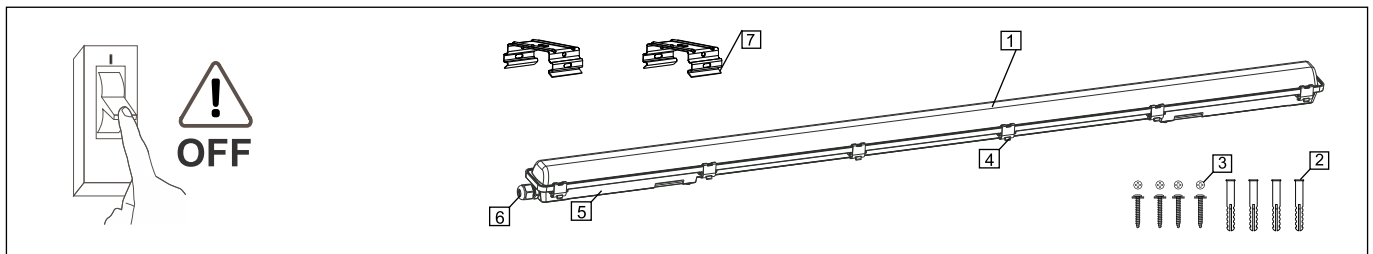
## LED Waterproof Housing

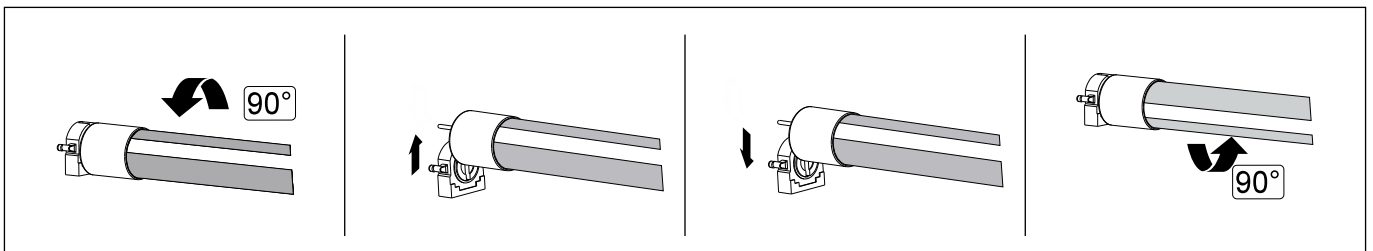
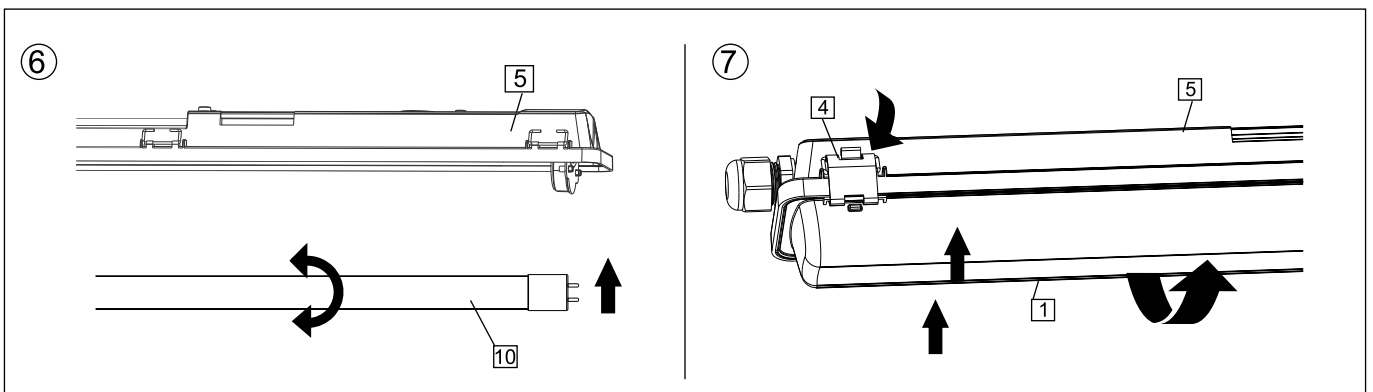
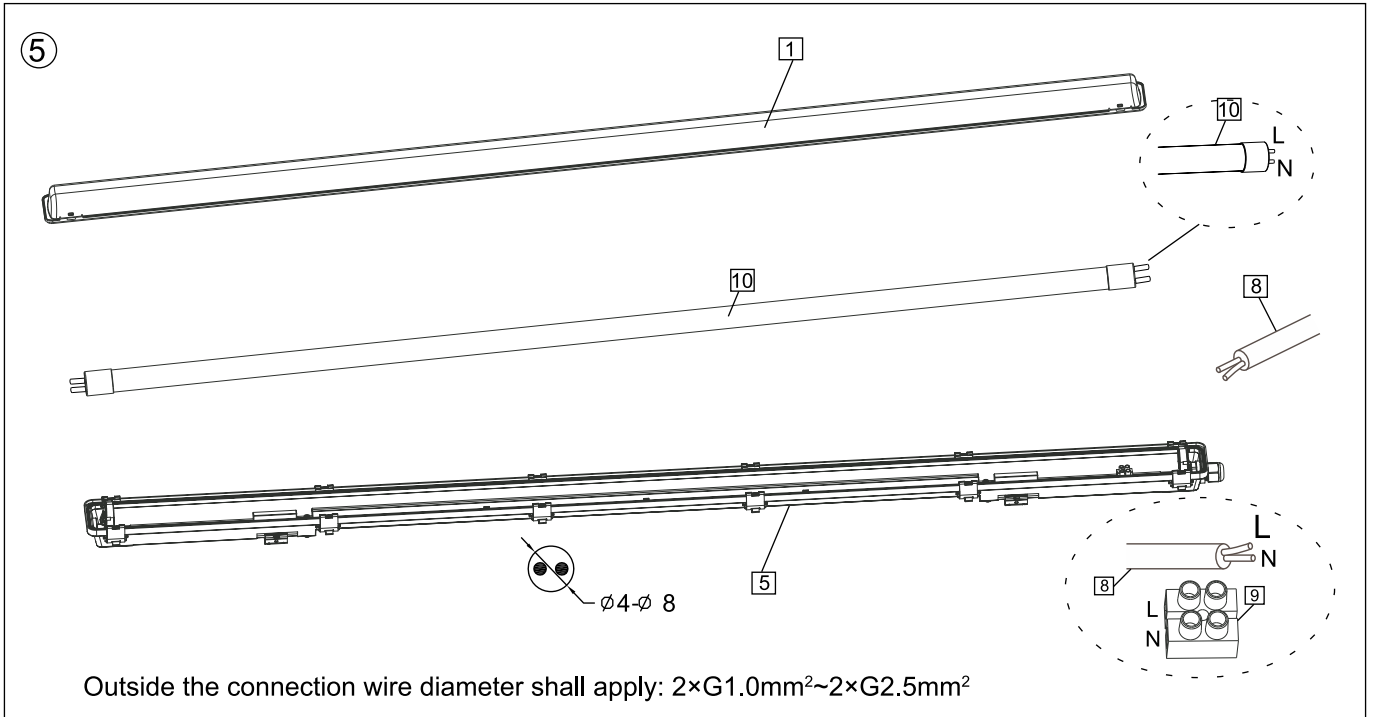
Item Code	Luminaire Description	kg
531001001900	LEDWaterproof-CLA Housing L600-T8-1x	0.38kg
531001002000	LEDWaterproof-CLA Housing L600-T8-2x	0.78kg
531001002100	LEDWaterproof-CLA Housing L1200-T8-1x	0.58kg
531001002200	LEDWaterproof-CLA Housing L1200-T8-2x	1.31kg
531001002300	LEDWaterproof-CLA Housing L1500-T8-1x	0.89kg
531001002400	LEDWaterproof-CLA Housing L1500-T8-2x	1.33kg

Model	L (mm)	W (mm)	H (mm)	LF (mm)	Rated Voltage	Frequency	Applicable lamps	Power
WP-CLA-H L600-T8-1x	666	60	58	350	220-240V~	50/60Hz	1pcs single-ended input LED T8 Tube(0.6m)	Max 9W
WP-CLA-H L600-T8-2x	666	99	58	350	220-240V~	50/60Hz	2pcs double-ended input LED T8 Tube(0.6m)	Max 18W
WP-CLA-H L1200-T8-1x	1276	60	58	836	220-240V~	50/60Hz	1pcs single-ended input LED T8 Tube(1.2m)	Max 18W
WP-CLA-H L1200-T8-2x	1276	99	58	836	220-240V~	50/60Hz	2pcs double-ended input LED T8 Tube(1.2m)	Max 36W
WP-CLA-H L1500-T8-1x	1576	60	58	1136	220-240V~	50/60Hz	1pcs single-ended input LED T8 Tube(1.5m)	Max 24W
WP-CLA-H L1500-T8-2x	1576	99	58	1136	220-240V~	50/60Hz	2pcs double-ended input LED T8 Tube(1.5m)	Max 48W

### Installation



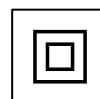
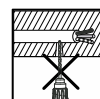
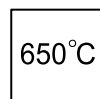
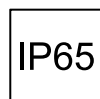
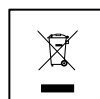
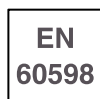
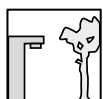


**Components**

Components included in the packaging inside the components box.



Caution: Any operation on LED module is forbidden while power-on.  
 Zur Vermeidung von Risiken müssen defekte Leitungen ausschließlich vom Hersteller, Inverkehrbringer oder Fachmann ausgetauscht werden. Achtung: In betrieb ist keine Arbeit am LED-Modul erlaubt.



Opplé Lighting Electronic (Zhongshan) Co.,Ltd.  
 Building A, No.275 Dongan Bei Road,  
 Haizhou District, Guzhen Town, Zhongshan City,  
 Guangdong Province, P.R.China

Opplé Lighting B.V.Meerenakkerweg 1-07  
 5652 AR Eindhoven The Netherlands  
 service@opple.com  
 www.opple.com