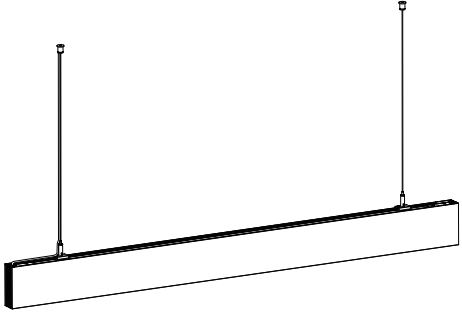


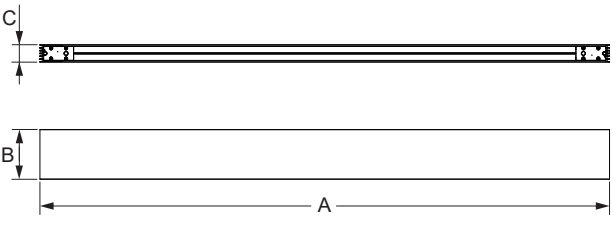
Linear Suspended Tallinn

Item Code	Luminaire Description	CCT	kg
529000105400	LED Tallinn-P L12-38W-DALI-TW-D/I-U10-WH	2700K-6500K	2.41kg
529000105500	LED Tallinn-P L12-38W-DALI-TW-D/I-U10-BL	2700K-6500K	2.41kg
529000105600	LED Tallinn-P L12-38W-BLE2-TW-D/I-U10-WH	2700K-6500K	2.32kg
529000105700	LED Tallinn-P L12-38W-BLE2-TW-D/I-U10-BL	2700K-6500K	2.32kg
529000105800	LED Tallinn-P L15-45W-DALI-TW-D/I-U10-WH	2700K-6500K	2.84kg
529000105900	LED Tallinn-P L15-45W-DALI-TW-D/I-U10-BL	2700K-6500K	2.84kg
529000106000	LED Tallinn-P L15-45W-BLE2-TW-D/I-U10-WH	2700K-6500K	2.75kg
529000106100	LED Tallinn-P L15-45W-BLE2-TW-D/I-U10-BL	2700K-6500K	2.75kg
529000107000	LED Tallinn-P L12-38W-DALI-TW-D/I-WH	2700K-6500K	2.41kg
529000107100	LED Tallinn-P L12-38W-DALI-TW-D/I-BL	2700K-6500K	2.41kg
529000107200	LED Tallinn-P L12-38W-BLE2-TW-D/I-WH	2700K-6500K	2.32kg
529000107300	LED Tallinn-P L12-38W-BLE2-TW-D/I-BL	2700K-6500K	2.32kg
529000107400	LED Tallinn-P L15-45W-DALI-TW-D/I-WH	2700K-6500K	2.84kg
529000107500	LED Tallinn-P L15-45W-DALI-TW-D/I-BL	2700K-6500K	2.84kg
529000107600	LED Tallinn-P L15-45W-BLE2-TW-D/I-WH	2700K-6500K	2.75kg
529000107700	LED Tallinn-P L15-45W-BLE2-TW-D/I-BL	2700K-6500K	2.75kg
529098030800*	LED Tallinn-P-Connection-Kit	/	/
529098031000*	LED Tallinn-P-Magnet-Hub	/	/
529098031100*	LED Tallinn-P-Magnet-Endcap	/	/

* Accessories should be purchased separately.















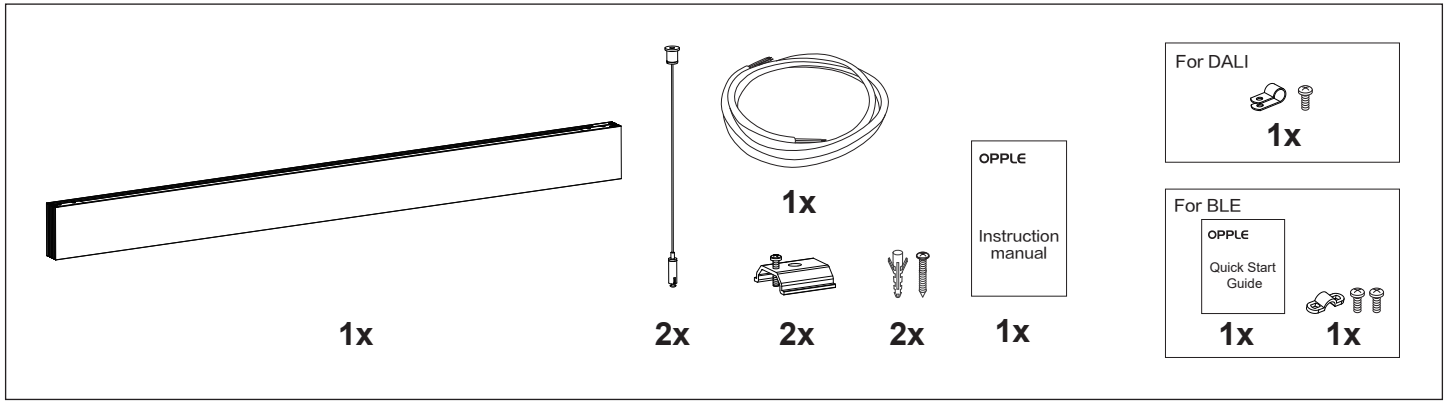
Model Name	A (mm)	B (mm)	C (mm)
LED LR-T-P L12-38W-DALI-TW-D/I-U10	1175	100	35
LED LR-T-P L12-38W-BLE2-TW-D/I-U10	1175	100	35
LED LR-T-P L12-38W-DALI-TW-D/I	1175	100	35
LED LR-T-P L12-38W-BLE2-TW-D/I	1175	100	35
LED LR-T-P L15-45W-DALI-TW-D/I-U10	1465	100	35
LED LR-T-P L15-45W-BLE2-TW-D/I-U10	1465	100	35
LED LR-T-P L15-45W-DALI-TW-D/I	1465	100	35
LED LR-T-P L15-45W-BLE2-TW-D/I	1465	100	35



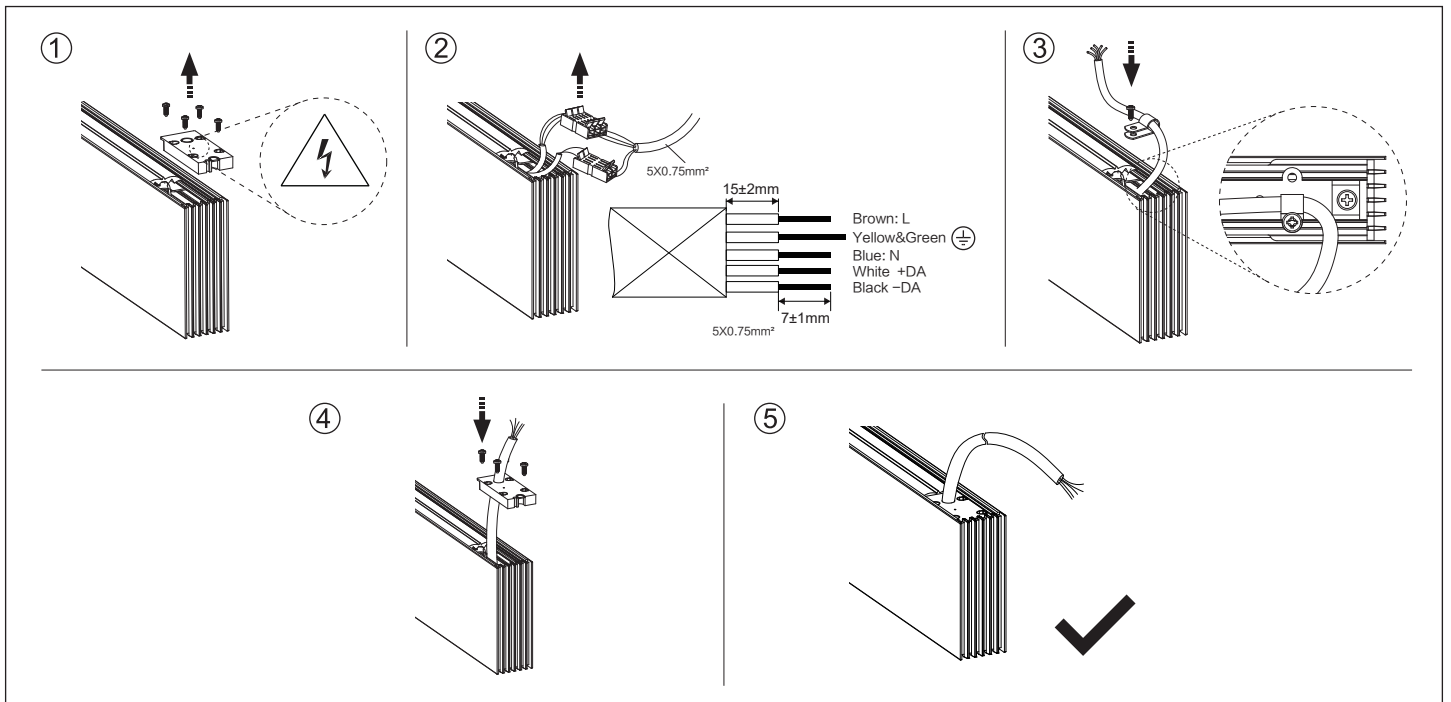
Light Source

Model	N	Light source code	Position
LED LR-T-P L12-38W-DALI-TW-D/I-U10	1	LS112001335	Up
	1	LS112002535-01	Down
LED LR-T-P L12-38W-BLE2-TW-D/I-U10	1	LS112001335	Up
	1	LS112002535-01	Down
LED LR-T-P L12-38W-DALI-TW-D/I	1	LS112001335	Up
	1	LS112002535-02	Down
LED LR-T-P L12-38W-BLE2-TW-D/I	1	LS112001335	Up
	1	LS112002535-02	Down
LED LR-T-P L15-45W-DALI-TW-D/I-U10	1	LS112001535	Up
	1	LS112001535-01	Down
LED LR-T-P L15-45W-BLE2-TW-D/I-U10	1	LS112001535	Up
	1	LS112001535-01	Down
LED LR-T-P L15-45W-DALI-TW-D/I	1	LS112001535	Up
	1	LS112001535-02	Down
LED LR-T-P L15-45W-BLE2-TW-D/I	1	LS112001535	Up
	1	LS112001535-02	Down

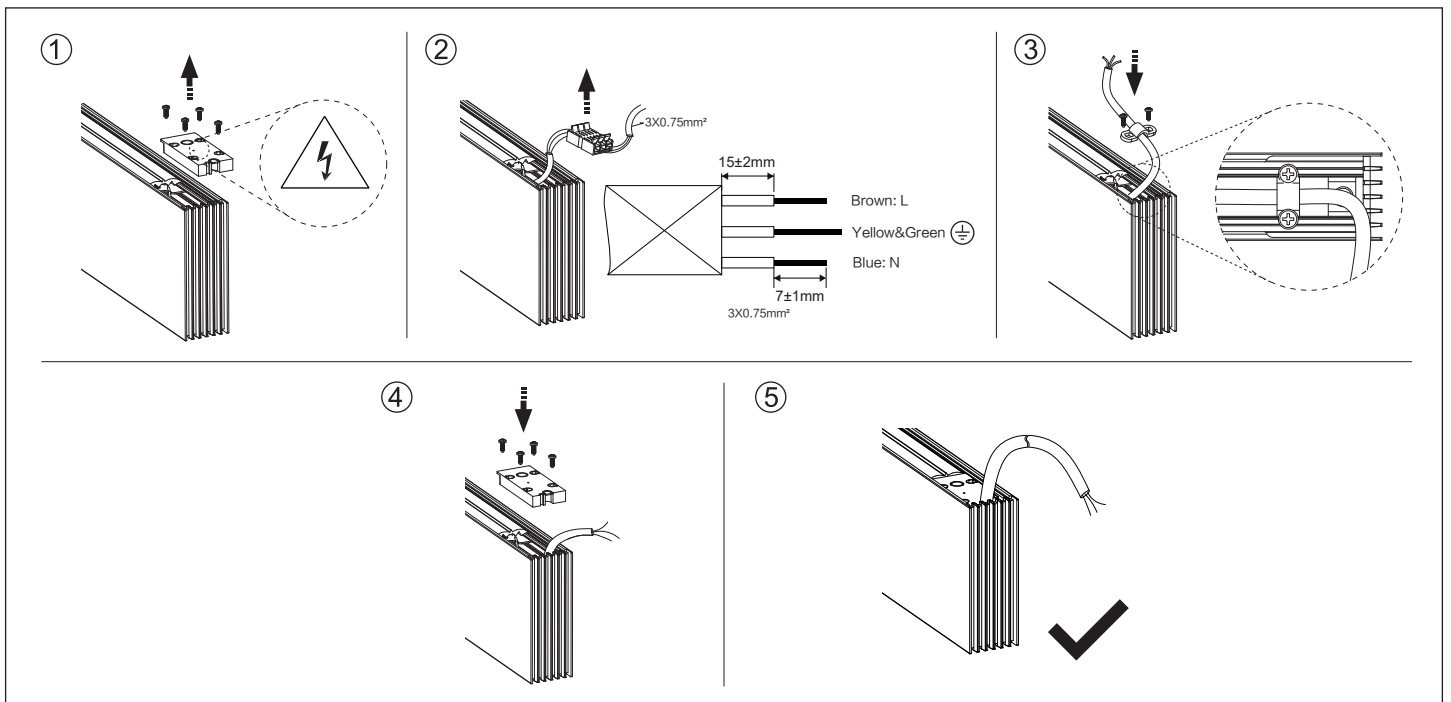
Light source code	QR Code	Energy Label
LS112001335		
LS112002535-01		
LS112002535-02		
LS112001535		
LS112001535-01		
LS112001535-02		



For DALI2 version:

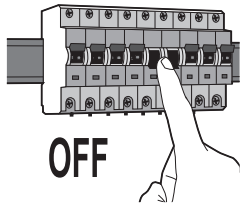


For BLE2 version:

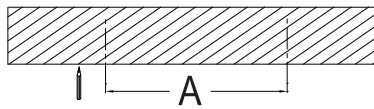


Suspended Mounting

①

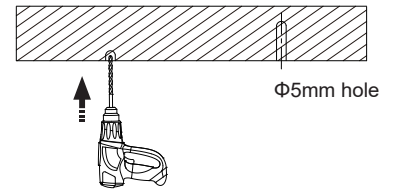


②

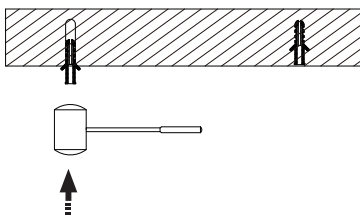


Model Name	A (mm)
LED LR-T-P L12-38W-DALI-TW-D/I-U10	1050
LED LR-T-P L12-38W-BLE2-TW-D/I-U10	1050
LED LR-T-P L12-38W-DALI-TW-D/I	1050
LED LR-T-P L12-38W-BLE2-TW-D/I	1050
LED LR-T-P L15-45W-DALI-TW-D/I-U10	900
LED LR-T-P L15-45W-BLE2-TW-D/I-U10	900
LED LR-T-P L15-45W-DALI-TW-D/I	900
LED LR-T-P L15-45W-BLE2-TW-D/I	900

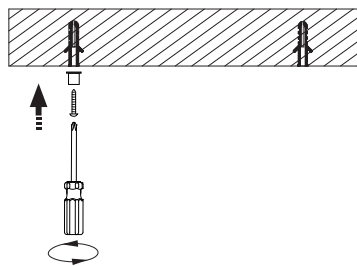
③



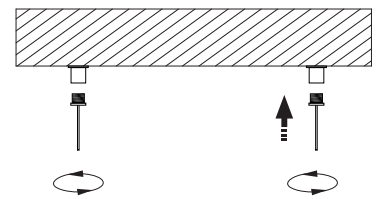
④



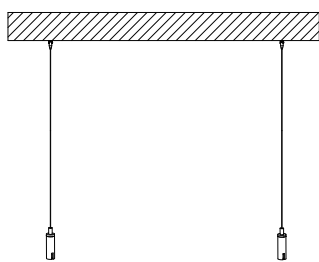
⑤



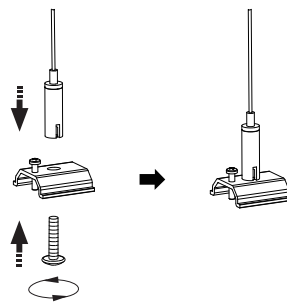
⑥



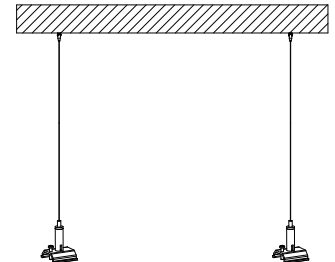
⑦



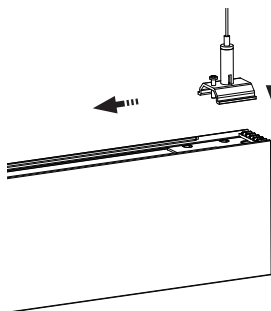
⑧



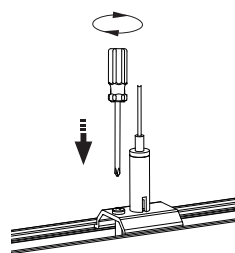
⑨



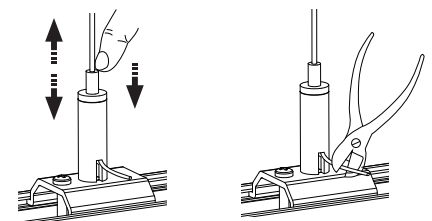
⑩



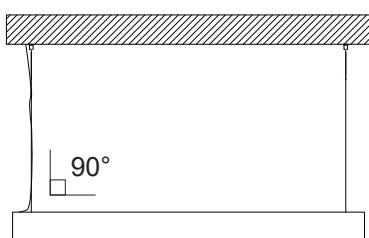
⑪



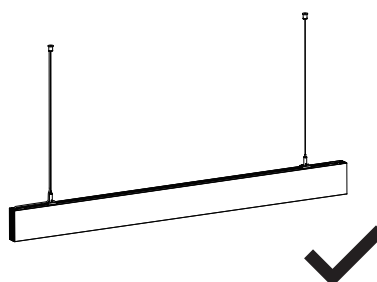
⑫



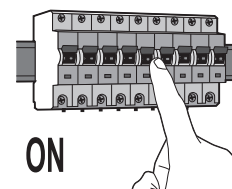
⑬



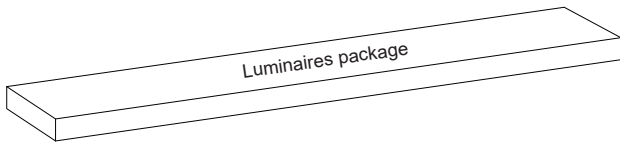
⑭



⑮

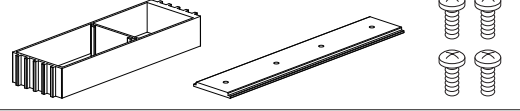


Direct Connection Mounting



nx

Connection-Kit

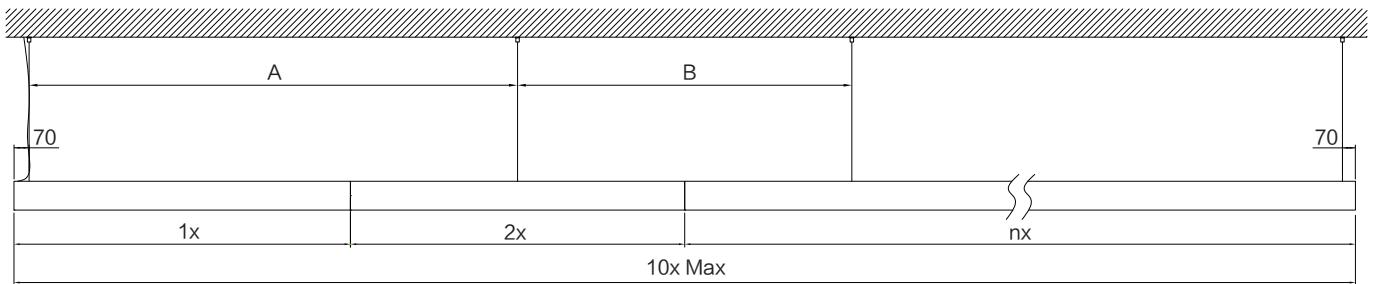


(N-1)X

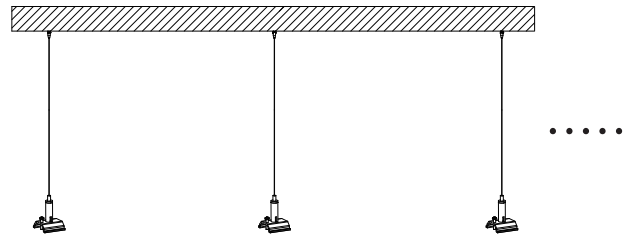
529098030800* LEDTallinn-P-Connection-Kit

* Accessories should be purchased separately.

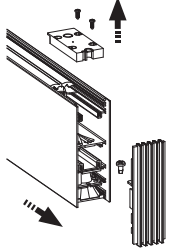
①



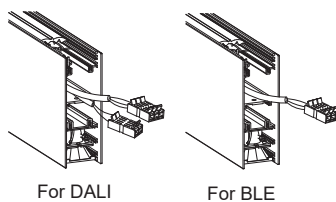
Model Name	A (mm)	B (mm)
LED LR-T-P L12-38W-DALI-TW-D/I-U10	1700	1175
LED LR-T-P L12-38W-BLE2-TW-D/I-U10	1700	1175
LED LR-T-P L15-45W-DALI-TW-D/I-U10	2000	1465
LED LR-T-P L15-45W-BLE2-TW-D/I-U10	2000	1465



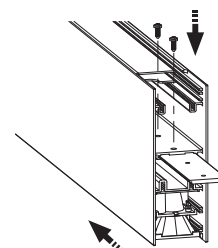
②



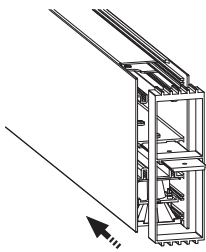
③



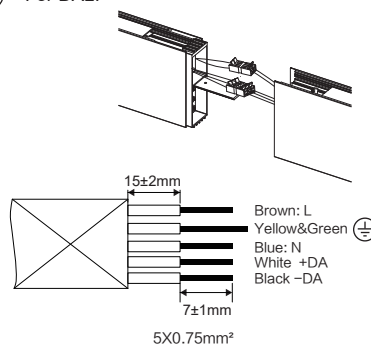
④



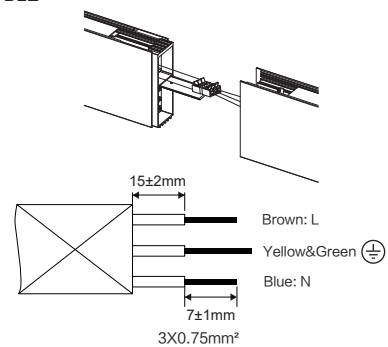
⑤



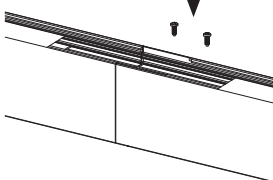
⑥ For DALI



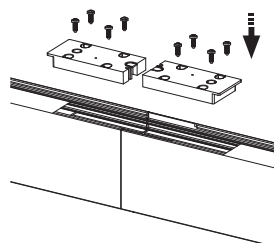
For BLE



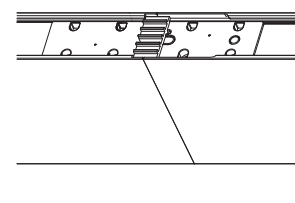
⑦



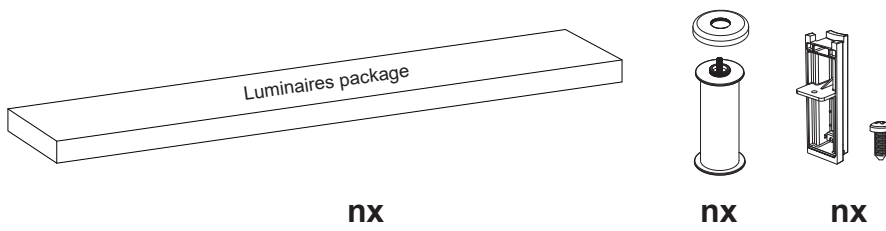
⑧



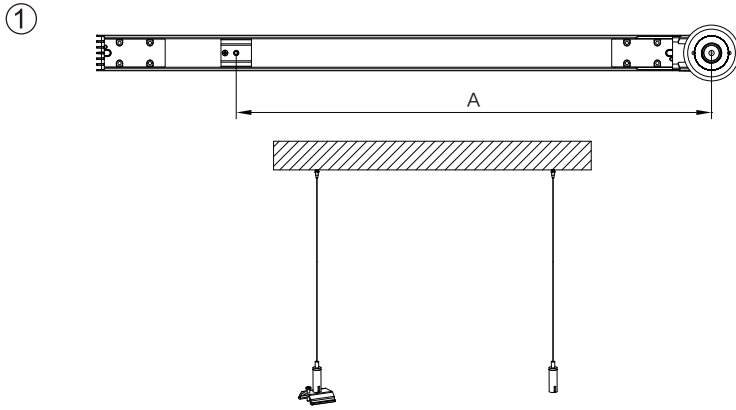
⑨



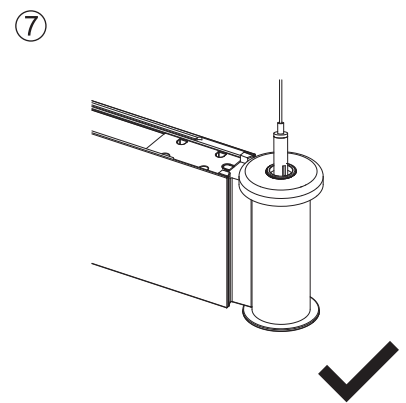
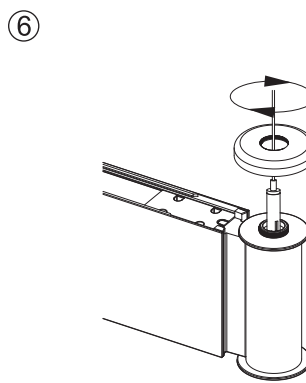
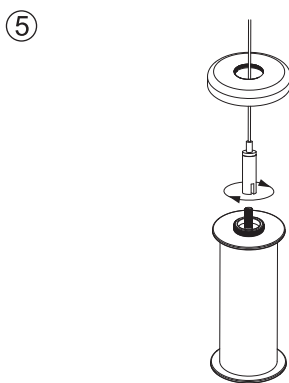
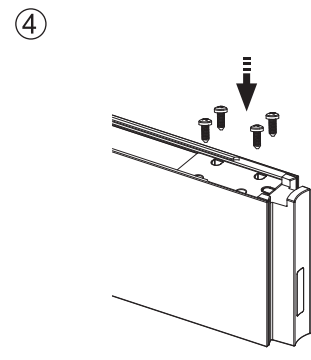
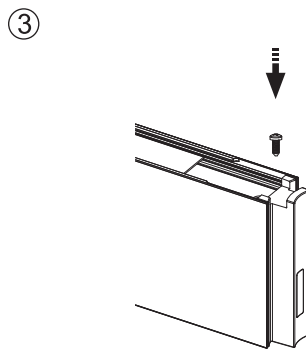
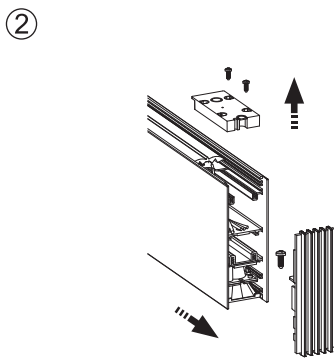
Magnet-Hub Connection Mounting



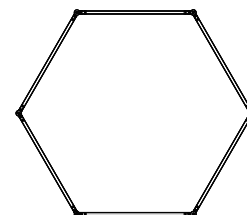
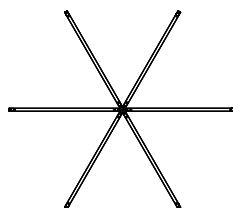
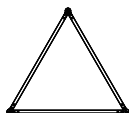
529098031000* LEDTallinn-P-Magnet-Hub
 529098031100* LEDTallinn-P-Magnet-Endcap
 * Accessories should be purchased separately.



Model Name	A(mm)
LED LR-T-P L12-38W-DALI-TW-D/I-U10	1050
LED LR-T-P L12-38W-BLE2-TW-D/I-U10	1050
LED LR-T-P L12-38W-DALI-TW-D/I	1050
LED LR-T-P L12-38W-BLE2-TW-D/I	1050
LED LR-T-P L15-45W-DALI-TW-D/I-U10	1350
LED LR-T-P L15-45W-BLE2-TW-D/I-U10	1350
LED LR-T-P L15-45W-DALI-TW-D/I	1350
LED LR-T-P L15-45W-BLE2-TW-D/I	1350



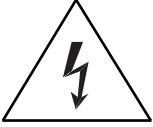
Recommendation:



Max. allowed Tallinn connected to one magnet hub is 6 pcs.

Bluetooth Operating Frequency: 2402-2480 MHz
Bluetooth Max Transmission Power: <20dBm

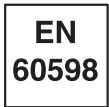
To reduce the risk of strangulation the flexible wiring connected to this luminaire shall be effectively fixed to the wall if the wiring is within arm's reach.



For non-user replaceable light sources.
The light source contained in this luminaire shall only be replaced by the manufacturer or his service agent or a similar qualified person.



Caution :Any operation is forbidden while power is on.
In case of damage to the wire,it must be replaced only by the manufacturer,distributor or by an expert,to avoid risks.
Zur Vermeidung von Risiken müssen defekte Leitungen ausschließlich vom Hersteller, Inverkehrbringer oder Fachmann ausgetauscht werden.



Data subject to change
Les données sont sujettes à modifications
Änderungen vorbehalten

OPPLE Lighting Co., Ltd.
Room 411, Building 1 No. 6111,
Longdong Avenue, Pudong New District,
Shanghai City 201201,P. R. China
www.opple.com

Opplé Lighting B.V.
Meerenakkerweg 1-07
5652 AR Eindhoven
The Netherlands
service@opple.com