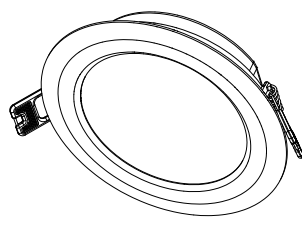
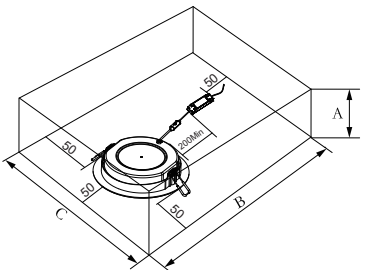
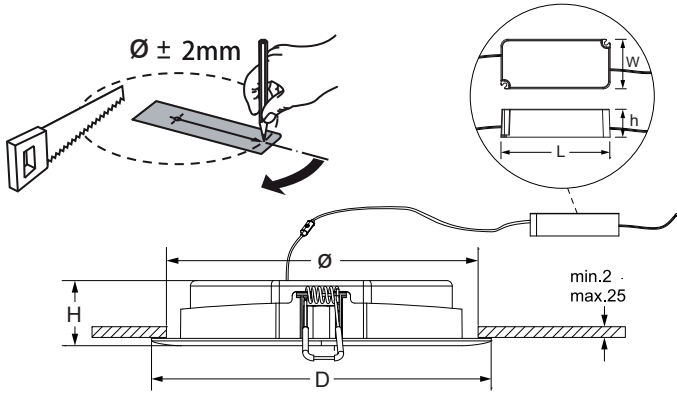


Slim Downlight Ecomax G2

Model	CCT	kg
LED DL-RC-E2 SL R100 6W	3000K/4000K	0.191
LED DL-RC-E2 SL R125 9W	3000K/4000K	0.244
LED DL-RC-E2 SL R150 12W	3000K/4000K	0.295
LED DL-RC-E2 SL R175 15W	3000K/4000K	0.406
LED DL-RC-E2 SL R200 18W	3000K/4000K	0.499

Model	A(mm)	B(mm)	C(mm)
LED DL-RC-E2 SL R100 6W	70	≥413	≥213
LED DL-RC-E2 SL R125 9W	70	≥443	≥243
LED DL-RC-E2 SL R150 12W	70	≥463	≥263
LED DL-RC-E2 SL R175 15W	70	≥493	≥293
LED DL-RC-E2 SL R200 18W	70	≥513	≥313

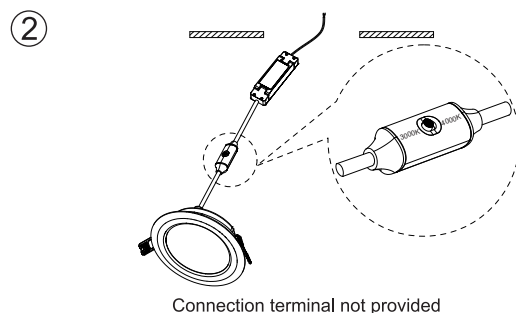
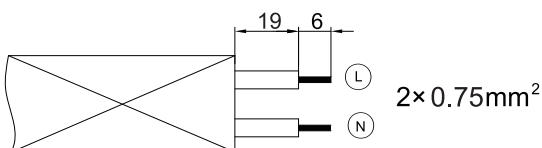


Driver Model	L(mm)	W(mm)	h(mm)
OP-IESCC0070220E1	95	40	25
OP-IESCC0140360E1	95	40	25
OP-IESCC0220600E1-02-EU	120	45	25

Luminaire Model	H(mm)	ø(mm)	D(mm)
LED DL-RC-E2 SL R100 6W	31	100	213
LED DL-RC-E2 SL R125 9W	31	125	243
LED DL-RC-E2 SL R150 12W	31	150	263
LED DL-RC-E2 SL R175 15W	31	175	293
LED DL-RC-E2 SL R200 18W	31	200	313

Product Code	Description	N	Light Source Code	QR	Energy Label
540001366000	LEDDownlightS-E2 Rd100-6W-830/840-WH	1	LS110000532		
540001366100	LEDDownlightS-E2 Rd125-9W-830/840-WH	1	LS110000732		
540001366300	LEDDownlightS-E2 Rd150-12W-830/840-WH	1	LS110000932		
540001366500	LEDDownlightS-E2 Rd175-15W-830/840-WH	1	LS110001332		
540001366800	LEDDownlightS-E2 Rd200-18W-830/840-WH	1	LS110001632		

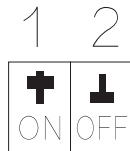
① A suitable size of outlet box with internal 2-way terminal blocks which conform to EN60998-2-1 or EN60998-2-2 must be used, more specification about terminal block as below:
Screw terminal block with box, 450V 5A, 0.75-2.5mm².



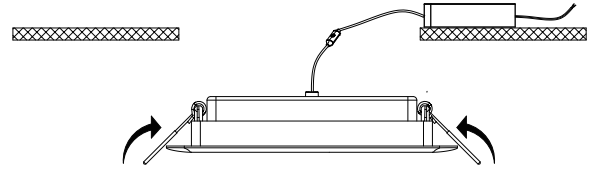
②

	↓↓	↑↓	↓↑	↑↑
LED DLRC E2 SL R100 6W		6W*	8W	9W
LED DLRC E2 SL R125 9W		6W	8W	9W*
LED DLRC E2 SL R150 12W		11W	12W*	14W
LED DLRC E2 SL R175 15W	15W*	18W	19W	23W
LED DLRC E2 SL R200 18W	15W	18W*	19W	23W

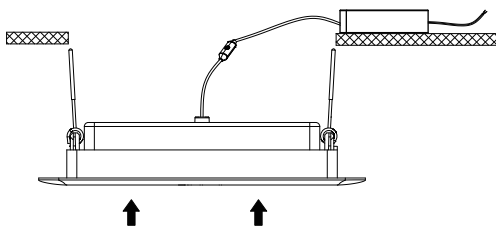
Note (*): Setting as default.



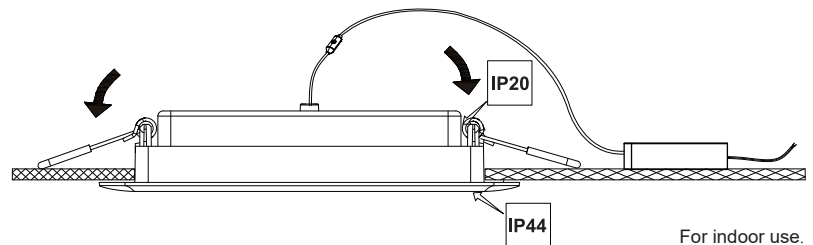
③



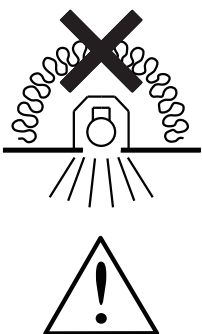
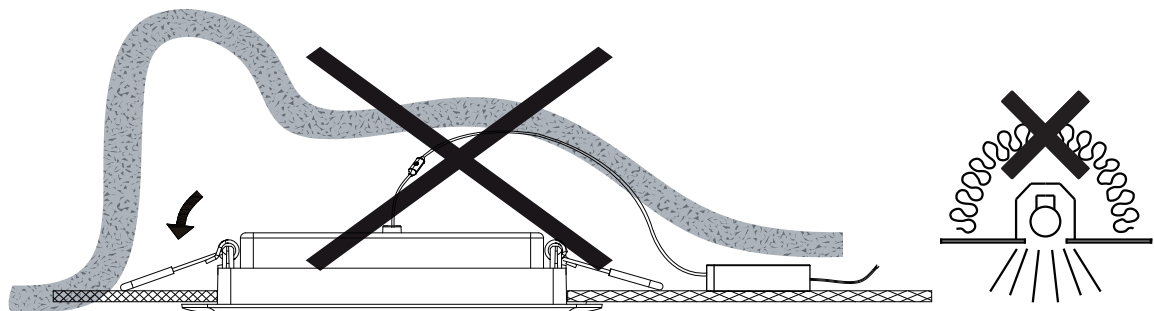
④



⑤



For indoor use.



Luminaires not suitable for covering with thermally insulating material.

Leuchten sind nicht mit thermisch isolierenden Materialien abzudecken.

The external flexible cable or cord of this luminaire cannot be replaced; if the cord is damaged, the luminaire shall be destroyed.

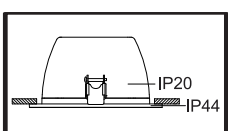
Caution: Any operation on LED module is forbidden while power-on.

Zur Vermeidung von Risiken müssen defekte Leitungen ausschließlich vom Hersteller, Inverkehrbringer oder Fachmann ausgetauscht werden.

Achtung: In Betrieb ist keine Arbeit am LED-Modul erlaubt.

The light source of this luminaire is not replaceable; when the light source reaches its end of life the whole luminaire shall be replaced.

Das Leuchtmittel dieser Leuchte ist nicht austauschbar. Wenn das Leuchtmittel das Ende seiner Lebensdauer erreicht hat, muss die gesamte Leuchte ersetzt werden.



OPPLE Lighting B.V.
Meerenakkerweg 1-07 | 5652 AR Eindhoven
The Netherlands
service@opple.com

OPPLE Lighting Co., Ltd.
Room 411, Building 1 No. 6111,
Longdong Avenue, Pudong New
District, Shanghai City 201201, P. R. China