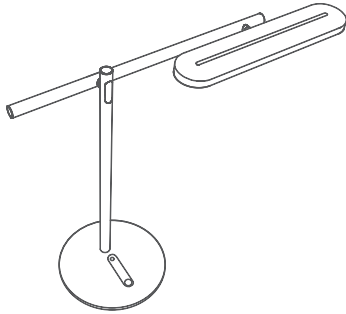


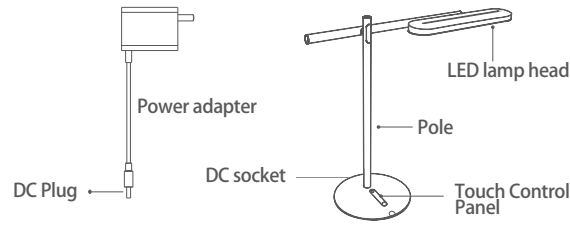
OPPLE

Desk Lamp Balance



Assemble

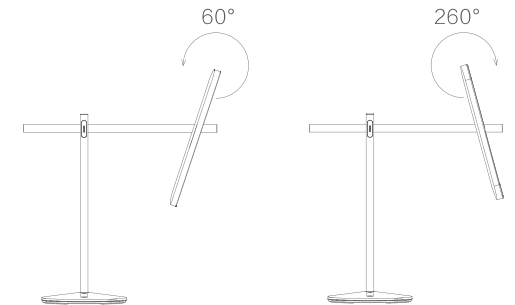
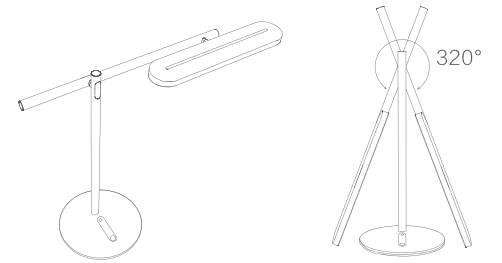
Product Accessories



Packing List: User' s manual 1PC, Power adapter 1PC, Lamp 1PC.

1

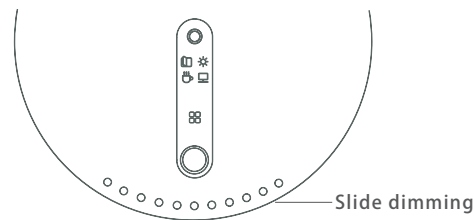
Rotation possibilities



2

OPPLE

Operating Manual



Function description:Touch control

Icon	Function	Remark
	Daylight sensor	Activate daylight control mode
	Reading mode	4000K
	Daylight control mode	NA
	Relaxing mode	3000K
	Working mode	5000K
	Switching mode button	Switching function
	ON/OFF	Short touch to turn on/off
	Slide dimming	Touch dimming

3

For luminaire

With Power Adapter:

Product code: 523003012900
 Product Description: LEDBalance- P 14W- DIM- 830/840/850
 Model name: LED HTL- 14W- Dim
 Rated Voltage: 220- 240V~ 50/60 Hz
 Rated Wattage: 14W
 Rated Current: 0.08A
 Power Factor: 0.7
 CCT: 3000K/ 4000K/ 5000K
 CRI: 80
 Safety Class: Class II
 Dimension: 440x570 x 196mm

Without Power Adapter:

Model name: LED HTL- 14W- Dim
 Rated Voltage: 12V DC
 Rated Wattage: 10W
 Safety Class: Class III

Light Source

Product Code	Product Description	N	Light source code	QR Code	Energy Label
523003012900	LEDBalance- P 14W - DIM- 830/840/850	1	LS096008015		

4



Oppl e Lighting B. V.
 Meerena kkerweg 1- 07
 5652 AR E indhoven
 The Netherlands
 service@opple .com
 www.opple.com



Oppl e Lighting E lectronic (Zhongshan) Co .,Ltd.
 BuildingA, No.275 Dongan Bei Road , Haizhou District,
 Guzhen Town, Zhongshan City, Guangdong Province,
 P.R.China