



Ceiling Light Apollo G4

- Elegant wall/ceiling luminaire with improved design
- Flexible due to CCT switch and Power switch
- IP44 waterproof, also suitable for bathrooms and comparable spaces
- Bracket accessory available for easy mounting on existing installations (no new screw holes needed)
- 3 different sizes: 250/350/450mm



Specifications

Item Code	Item Description	Equivalent to (W)	Power (W)	Lumen	Efficacy (lm/W)	CCT (K)	Ingress Protection (IP)	Weight (pc/kg)
Dimmable (Triac)								
520034068200	LEDApollo-E4 Rd450-11/22W-DIM-827/840	GLS100W	22	2200	100	2.7K/4K	IP44	1.3

Accessories



520098001800
LED Apollo HC350 bracket

Packaging information

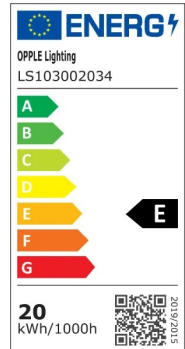
Item			Box			
Item Code	Item Description	EU HS Code	Dimensions (mm) (LxWxH)	Gross Weight (kg)	EAN	pc/box
520034068200	LEDApollo-E4 Rd450-11/22W-DIM-827/840	94051190	480x480x74	1.42	6931783046722	1
520098001800	LED Apollo HC350 bracket	94059900	260x53x271	0.32	6941497706614	1

Technical Specifications	
Lifetime (L70)	50,000 h
Lifetime (L80)	30,000 h
On-/Off-cycles	100,000
Dimmability	Triac
Sensor type	No sensor
Sensor technology	No sensor
CCT (K)	2,700 - 4,000 K
Beam angle	120 °
Finishing	White RAL9003
RAL-Number	9003
Colour rendering index (CRI)	> 80
Impact strength (IK)	IK02
Protection class	II
Risk group (EN 62471)	RG0
With control gear	True
Power factor	≥ 0.9

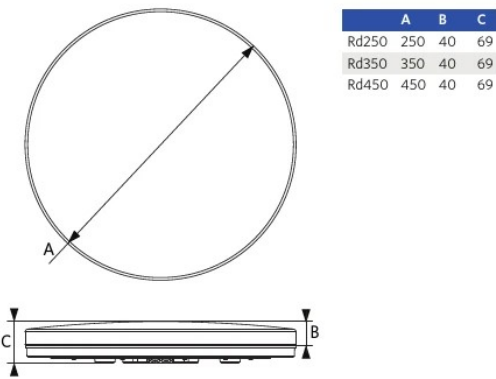
Electrical Supply	
Frequency	50 - 60 Hz
Nominal voltage	220 - 240 V
DC input voltage	See catalogue appendix Connection Specifications

Mechanical Properties	
Housing material	Plastic
Optical material	Polycarbonate

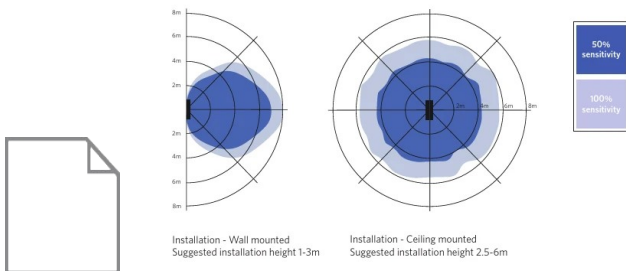
Ambient Conditions	
Operating temperature	-10 ~ 45 °C
Application temperature	25 °C
Storage environment	-25 ~ 50 °C



Dimensional Drawing (mm)



Motion Sensors



Photometric Data

