



## Desk Lamp Balance

- Stylish design desk lamp with 320-degree rotation
- Advanced optics with wider illumination area and higher uniformity
- Forward light design, no shadow in front of the hands
- Touch-button control for dimming and scene/CCT change
- Daylight control sensor, automatically optimizes the light



## Specifications

Item Code	Item Description	Equivalent to (W)	Power (W)	Lumen	Efficacy (lm/W)	CCT (K)	Weight (pc/kg)
<b>Dim</b>							
523003012900	LEDBalance-P 14W-DIM-830/840/850	Halogen 125W	14	840	60	3K/4K/5K	1.47

## Packaging information

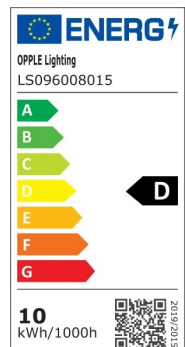
Item			Box			
Item Code	Item Description	EU HS Code	Dimensions (mm) (LxWxH)	Gross Weight (kg)	EAN	pc/box
523003012900	LEDBalance-P 14W-DIM-830/840/850	94051190	282x230x570	1.65	6941491737010	1

Technical Specifications	
Lifetime (L70)	50,000 h
Lifetime (L80)	30,000 h
On-/Off-cycles	100,000
Colour consistency (SDCM)	4
Dimmability	Touch Dim
Beam angle	120 °
Finishing	Pantone 8602C
Colour rendering index (CRI)	> 80
Protection class	II
With control gear	True
Glow wire test	650 °C
Driver failure rate (at 5,000 hrs)	≤ 1 %

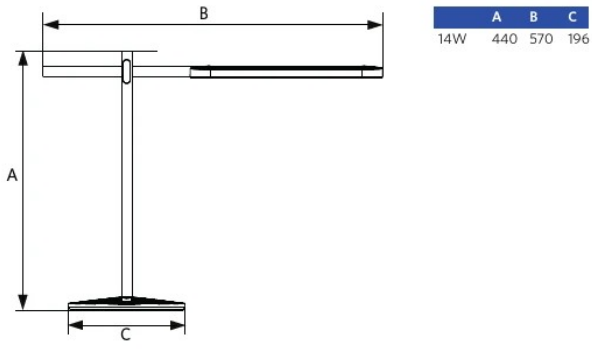
Electrical Supply	
Frequency	50 - 60 Hz
Nominal voltage	220 - 240 V
DC input voltage	No
230V Cable length	1.8 m

Mechanical Properties	
Housing material	Aluminium
Optical material	Polycarbonate

Ambient Conditions	
Operating temperature	-10 - 40 °C
Application temperature	25 °C
Storage environment	-25 - 50 °C



## Dimensional Drawing (mm)



## Motion Sensors



## Photometric Data

