



Porchlight EcoMax G2

- Easy solution for replacing and renovating existing solutions
- Flexibility due to 3000/4000K CCT switch and 3/5W power switch
- IP65 and high IK10 impact resistance for outdoor application



Specifications

Item Code	Item Description	Equivalent to (W)	Power (W)	Lumen	Efficacy (lm/W)	CCT (K)	Sensor	Weight (pc/kg)
-----------	------------------	-------------------	-----------	-------	-----------------	---------	--------	----------------

Packaging information

Item			Box			
Item Code	Item Description	EU HS Code	Dimensions (mm) (LxWxH)	Gross Weight (kg)	EAN	pc/box
531000019800	LEDPorch-E2-Re120-3/5W-830/840-MD-EM3	94054239	347x145x90	1.24	6931783049259	1

Technical Specifications

Lifetime (L70)	70,000 h
Lifetime (L80)	50,000 h
On-/Off-cycles	100,000
Colour consistency (SDCM)	4
Dimmability	Sensor controlled (MD)
Sensor type	Motion + Daylight detection (MD)
Sensor technology	Microwave (MW)
CCT (K)	3,000 - 4,000 K
RAL-Number	9003
Colour rendering index (CRI)	> 80
Ingress Protection (IP)	IP65
Impact strength (IK)	IK10
Protection class	II
Risk group (EN 62471)	RG0
With control gear	True
Glow wire test	650 °C
Driver failure rate (at 5,000 hrs)	≤ 1 %
Power factor	≥ 0.9

Electrical Supply

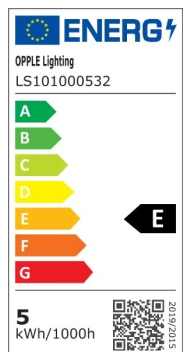
Frequency	50 - 60 Hz
Nominal voltage	220 - 240 V
DC input voltage	See catalogue appendix Connection Specifications

Mechanical Properties

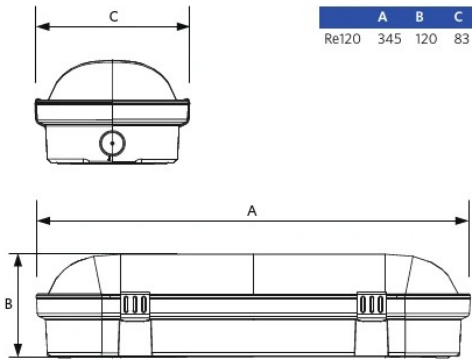
Housing material	Polycarbonate
Optical material	Polycarbonate

Ambient Conditions

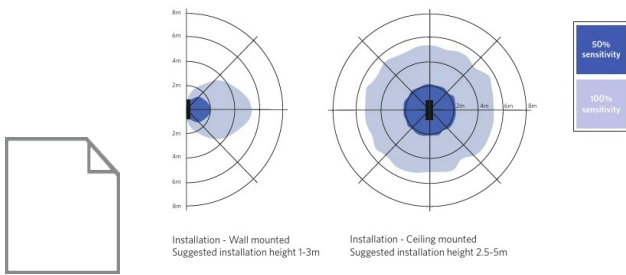
Operating temperature	-30 - 50 °C
Application temperature	25 °C
Storage environment	-30 - 60 °C



Dimensional Drawing (mm)



Motion Sensors



Photometric Data

