



Downlight Slim EcoMax G2

- Slim LED Downlight
- Flexible due to CCT switch and Power switch
- 5 lumen packages available in 5 cut-out diameters (100mm to 200mm)
- Very flat design, only 34mm height
- IP44 on light-emitting side



Specifications

| Item Code | Item Description | Equivalent to (W) | Power (W) | Lumen | Efficacy (lm/W) | CCT (K) | Net Weight (kg/pc) |
|---------------|---------------------------------------|-------------------|-----------|-------|-----------------|---------|--------------------|
| On-Off | | | | | | | |
| 540001365500 | LEDDownlightS-E2 Rd175-15W-830/840-WH | CFL 1x26W | 15 | 1725 | 115 | 3K/4K | 0.43 |

Available on request with Wieland GST18 or WAGO WINSTA connector, or Euro/Schuko plug.

Packaging information

| Item | | | Box | | | |
|--------------|---------------------------------------|------------|-------------------------|----------------------|---------------|--------|
| Item Code | Item Description | EU HS Code | Dimensions (mm) (LxWxH) | Gross Weight (kg/pc) | EAN | pc/box |
| 540001365500 | LEDDownlightS-E2 Rd175-15W-830/840-WH | 94051190 | 188x188x70 | 0.55 | 6941491723624 | 1 |
| 140060651 | LEDDownlightRc-HZdim-Adapter-175-200 | 94059900 | 230x230x20 | 0.20 | 6956321894177 | 1 |

| Technical Specifications | |
|---------------------------------------|---------------|
| Lifetime (L70) | 50,000 h |
| Lifetime (L80) | 30,000 h |
| On-/Off-cycles | 100,000 |
| Colour consistency (SDCM) | 4 |
| Dimmability | On-Off |
| Beam angle | 100 ° |
| Finishing | White RAL9003 |
| RAL-Number | 9003 |
| Colour rendering index (CRI) | > 80 |
| Ingress protection front side (IP) | IP44 |
| Ingress protection recessed part (IP) | IP20 |
| Impact strength (IK) | IK02 |
| Protection class | II |
| Risk group (EN 62471) | RG0 |
| With control gear | True |
| Glow wire test | 650 °C |
| Driver failure rate (at 5,000 hrs) | ≤ 1 % |
| Displacement factor (DF) | ≥ 0.9 |

| Electrical Supply | |
|-------------------|-------------|
| Frequency | 50 - 60 Hz |
| Nominal voltage | 220 - 240 V |
| DC input voltage | No |
| 230V Cable length | 0.3 m |

| Mechanical Properties | |
|-----------------------|---------------|
| Housing material | Steel |
| Optical material | Polycarbonate |

| Ambient Conditions | |
|-------------------------|-------------|
| Operating temperature | -10 - 45 °C |
| Application temperature | 25 °C |
| Storage environment | -25 - 50 °C |



ENERGY
 OPPLÉ Lighting
 LS110001332

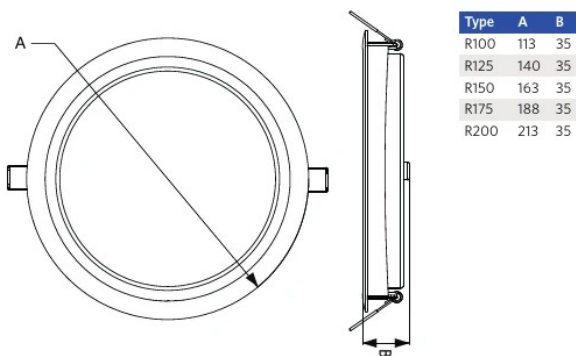
A
 B
 C
 D
 E
 F
 G

D

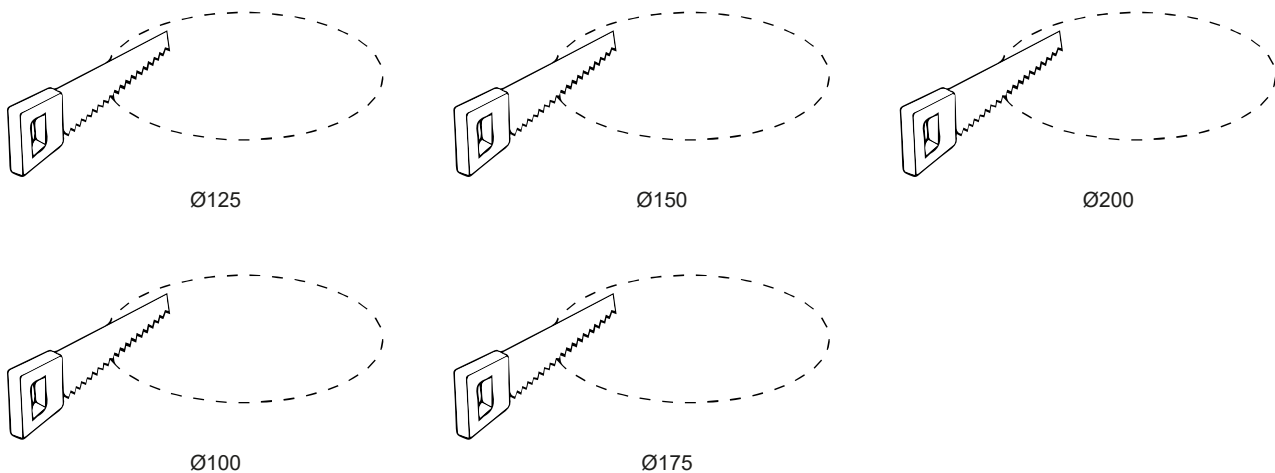
13
 kWh/1000h

2019/2015

Dimensional Drawing (mm)



Installation Opening Drawing (mm)



Photometric Data

