



Downlight Slim EcoMax G2

- Slim LED Downlight
- Flexible due to CCT switch and Power switch
- 5 lumen packages available in 5 cut-out diameters (100mm to 200mm)
- Very flat design, only 34mm height
- IP44 on light-emitting side



Specifications

Item Code	Item Description	Equivalent to (W)	Power (W)	Lumen	Efficacy (lm/W)	CCT (K)	Net Weight (kg/pc)
On-Off							
540001365800	LEDDownlightS-E2 Rd200-18W-830/840-WH	CFL 1x26W	18	2160	120	3K/4K	0.51

Available on request with Wieland GST18 or WAGO WINSTA connector, or Euro/Schuko plug.

Accessories



140060647
LEDDownlightRc-P-SI-E-
Adapter-200-225

Packaging information

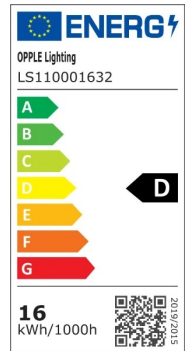
Item			Box			
Item Code	Item Description	EU HS Code	Dimensions (mm) (LxWxH)	Gross Weight (kg/pc)	EAN	pc/box
540001365800	LEDDownlightS-E2 Rd200-18W-830/840-WH	94051190	213x213x70	0.67	6941491723655	1
140060647	LEDDownlightRc-P-SI-E-Adapter-200-225	94059900	255x255x20	0.23	6956321894139	1
140060648	LEDDownlightRc-P-SI-E-Adapter-200-250	94059900	280x280x20	0.20	6956321894146	1

Technical Specifications	
Lifetime (L70)	50,000 h
Lifetime (L80)	30,000 h
On-/Off-cycles	100,000
Colour consistency (SDCM)	4
Dimmability	On-Off
Beam angle	100 °
Finishing	White RAL9003
RAL-Number	9003
Colour rendering index (CRI)	> 80
Ingress protection front side (IP)	IP44
Ingress protection recessed part (IP)	IP20
Impact strength (IK)	IK02
Protection class	II
Risk group (EN 62471)	RG0
With control gear	True
Glow wire test	650 °C
Driver failure rate (at 5,000 hrs)	≤ 1 %
Displacement factor (DF)	≥ 0.9

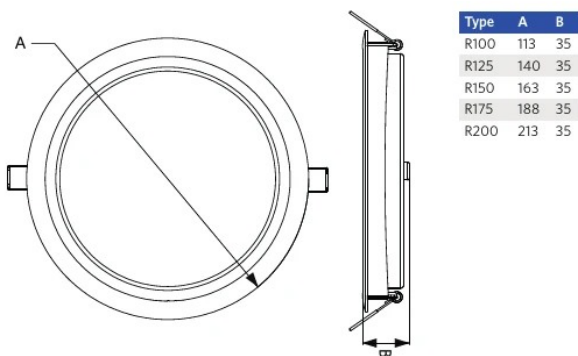
Electrical Supply	
Frequency	50 - 60 Hz
Nominal voltage	220 - 240 V
DC input voltage	No
230V Cable length	0.3 m

Mechanical Properties	
Housing material	Steel
Optical material	Polycarbonate

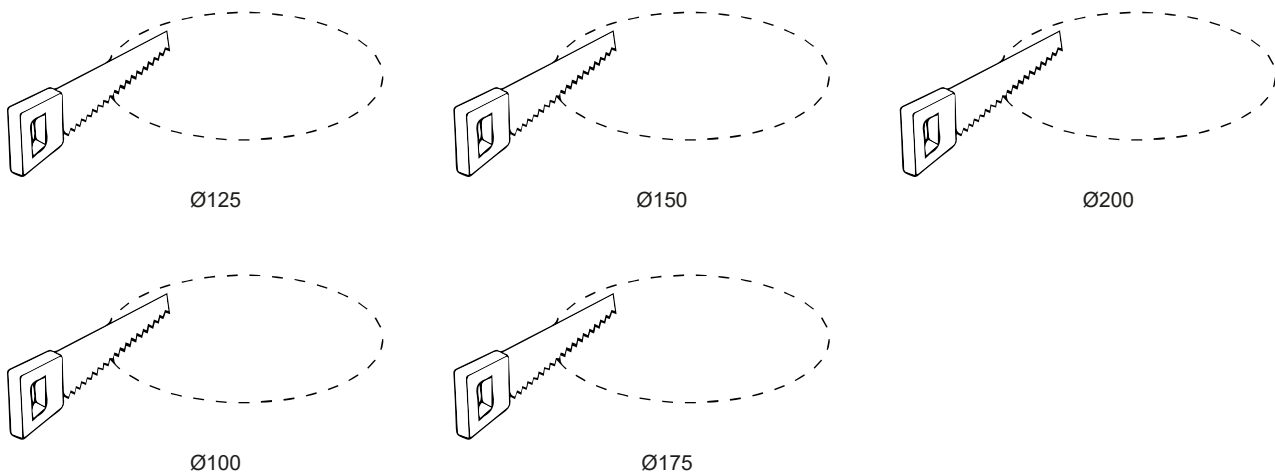
Ambient Conditions	
Operating temperature	-10 - 45 °C
Application temperature	25 °C
Storage environment	-25 - 50 °C



Dimensional Drawing (mm)



Installation Opening Drawing (mm)



Photometric Data

