



Slim Spot EcoMax

- Stylish, and super slim spot with only 31mm height
- Excellent color rendering with CRI90
- Integrated CCT switch for color selection (2700K-3000K-4000K)
- External flicker free driver
- Universal cut-out of 68mm



Specifications

Item Code	Item Description	Equivalent to (W)	Power (W)	Lumen	Efficacy (lm/W)	CCT (K)	Net Weight (kg/pc)
541003767200	LEDSpotRA-Slim-E 5W-927/930/940-WH	Halogen 50W	5	525	105	2.7K/3K/4K	0.14

Packaging information

Item		Box				
Item Code	Item Description	EU HS Code	Dimensions (mm) (LxWxH)	Gross Weight (kg/pc)	EAN	pc/box
541003767200	LEDSpotRA-Slim-E 5W-927/930/940-WH	94051190	95x95x70	0.22	6931783047668	1

Technical Specifications

Lifetime (L70)	50,000 h
Lifetime (L80)	30,000 h
On-/Off-cycles	100,000
Colour consistency (SDCM)	4
Dimmability	On-Off
Beam angle	36 °
Maximum tilt angle	25 °
Finishing	Matte White
Ingress Protection (IP)	IP20
Impact strength (IK)	IK02
Protection class	II
Risk group (EN 62471)	RG0
With control gear	True
Glow wire test	650 °C
Driver failure rate (at 5,000 hrs)	≤ 1 %
Power factor	≥ 0.9

Electrical Supply

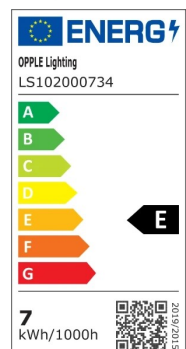
Frequency	50 - 60 Hz
Nominal voltage	220 - 240 V
DC input voltage	See catalogue appendix Connection Specifications
230V Cable length	0.3 m

Mechanical Properties

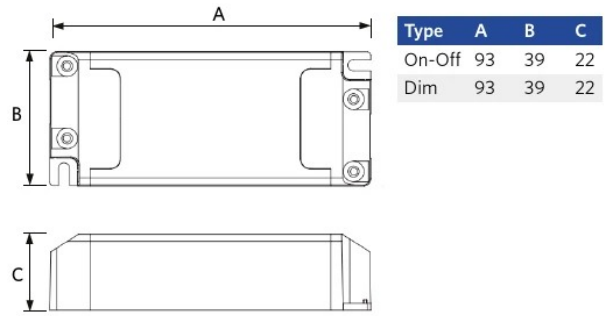
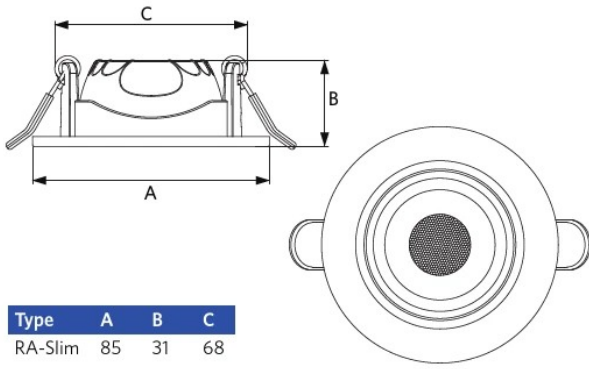
Housing material	Aluminium
Optical material	Polycarbonate

Ambient Conditions

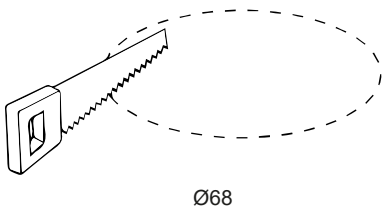
Operating temperature	-10 ~ 40 °C
Application temperature	25 °C
Storage environment	-25 - 50 °C



Dimensional Drawing (mm)



Installation Opening Drawing (mm)



Photometric Data

