



## Waterproof Classic G2

- New more sleek classic waterproof solution with clip design
- Improved efficacy of 150 lm/W
- Optimized diffuser design for more uniform illumination patterns
- Wiring from the back or side possible
- Supplied with vandal-proof stainless steel ceiling and suspension clips
- 3x25mm<sup>2</sup> wire through kit available as accessory



## Specifications

| Item Code     | Item Description           | Equivalent to (W) | Power (W) | Lumen | Efficacy (lm/W) | CCT (K) | Weight (kg/pc) |
|---------------|----------------------------|-------------------|-----------|-------|-----------------|---------|----------------|
| <b>On-Off</b> |                            |                   |           |       |                 |         |                |
| 531000013300  | LEDWP-CLA-P2 L1500-24W-840 | TL 1x58W          | 24        | 3600  | 150             | 4000    | 1.55           |

## Accessories



531098002500  
LEDWP-CLA-P2 Wirethrough-Kit



531098002700  
LEDWP-CLA-P2 Sensor-Kit

## Packaging Information

| Item         |                              |            | Box                     |                   |               |        |
|--------------|------------------------------|------------|-------------------------|-------------------|---------------|--------|
| Item Code    | Item Description             | EU HS Code | Dimensions (mm) (LxWxH) | Gross Weight (kg) | EAN           | pc/box |
| 531000013300 | LEDWP-CLA-P2 L1500-24W-840   | 94051190   | 1513x81x75              | 1.98              | 6931783030998 | 1      |
| 531098002500 | LEDWP-CLA-P2 Wirethrough-Kit | 76169990   | 760x55x1                | 0.14              | 6931783035191 | 1      |
| 531098002700 | LEDWP-CLA-P2 Sensor-Kit      | 85365005   | 105x18x16               | 0.02              | 6931783035214 | 1      |

### Technical Specifications

|                                    |                                       |
|------------------------------------|---------------------------------------|
| Lifetime (L70)                     | 70,000 h                              |
| Lifetime (L80)                     | 50,000 h                              |
| On-/Off-cycles                     | 100,000                               |
| Colour consistency (SDCM)          | 4                                     |
| Dimmability                        | On-Off                                |
| Sensor type                        | No sensor                             |
| Sensor technology                  | No sensor                             |
| Beam angle                         | 120°                                  |
| Finishing                          | Grey RAL 7035                         |
| Colour rendering index (CRI)       | > 80                                  |
| Degree of protection (IP)          | IP66                                  |
| Impact strength                    | IK08                                  |
| Protection class                   | I                                     |
| Risk group (EN 62471)              | RG1                                   |
| With control gear                  | Yes                                   |
| Glow wire test                     | 850°C                                 |
| Power factor                       | ≥ 0.9                                 |
| Input wire diameter                | 1mm <sup>2</sup> - 2.5mm <sup>2</sup> |
| Internal wiring (mm <sup>2</sup> ) | 3x2.5                                 |
| Max. input cable diameter (mm)     | 5-11 mm                               |

### Electrical Supply

|                  |  |
|------------------|--|
| Frequency        | 50/60 Hz   |
| Nominal voltage  | 220-240 V  |
| DC input voltage | See catalogue appendix Connection Specifications |

### Mechanical Properties

|                  |                 |
|------------------|-----------------|
| Material housing | Polycarbonate   |
| UV resistant     | Yes             |
| Optical material | Polycarbonate   |
| Mounting clips   | Stainless steel |

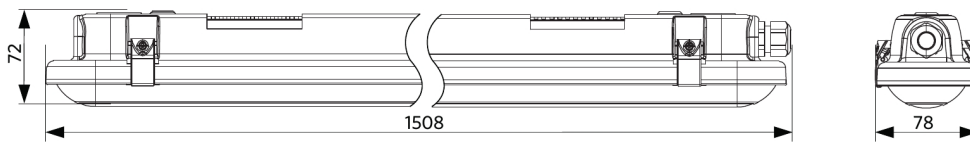
### Ambient Conditions

|                         |           |
|-------------------------|-----------|
| Operating temperature   | -20-+45°C |
| Application temperature | +25°C     |
| Storage environment     | -30-+60°C |

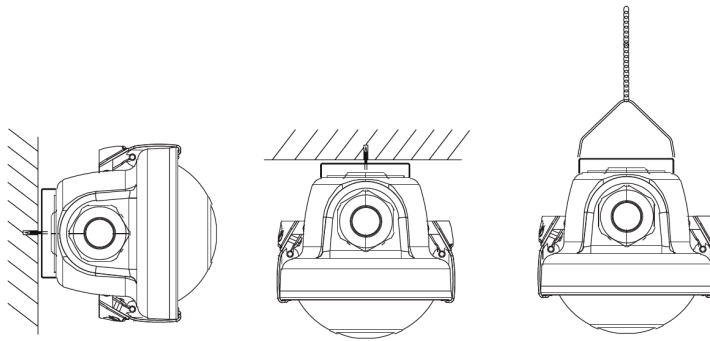


## Dimensional Drawing (mm)

LEDWP-CLA-P2 L1500



## Installation Possibilities



# Photometric Data

