



Downlight Slim EcoMax G2

- Slim LED Downlight
- Upgraded efficacy up to 120 lm/W
- Integrated CCT switch for color selection (3000K-4000K)
- 5 lumen packages available in 5 cut-out diameters (100mm to 200mm)
- Very flat design, only 34mm height
- IP44 on light-emitting side



Specifications

Item Code	Item Description	Equivalent to (W)	Power (W)	Lumen	Efficacy (lm/W)	CCT (K)	Gross Weight (kg)
On-Off							
540001366000	LEDDownlightS-E2 Rd100-6W-830/840-WH	CFL 1x18W	6	600	100	3K/4K	0.2
540001366100	LEDDownlightS-E2 Rd125-9W-830/840-WH	CFL 1x26W	9	945	105	3K/4K	0.27
540001366300	LEDDownlightS-E2 Rd150-12W-830/840-WH	CFL 1x26W	12	1260	105	3K/4K	0.35
540001365500	LEDDownlightS-E2 Rd175-15W-830/840-WH	CFL 2x26W	15	1725	115	3K/4K	0.43
540001365800	LEDDownlightS-E2 Rd200-18W-830/840-WH	CFL 1x18W	18	2160	120	3K/4K	0.51

Available on request with Wieland GST18 or WAGO WINSTA connector, or Euro/Schuko plug.

Accessories



140060646
LEDDownlight-
Rc-P-HZ-Adapter-150-175

140060647
LEDDownlight-
Rc-P-SI-E-Adapter-200-225

140060648
LEDDownlight-
Rc-P-SI-E-Adapter-200-250

140060650
LEDDownlightRc-HZ-
dim-Adapter-125-150

140060651
LEDDownlightRc-HZ-
dim-Adapter-175-200

See appendix Adapter Rings Overview for adapter ring dimensional drawings.

Technical Specifications

Lifetime (L70)	50,000 h
Lifetime (L80)	30,000 h
On-/Off-cycles	100,000
Colour consistency (SDCM)	4
Dimmability	On-Off
Beam angle	100°
Finishing	White RAL9003
RAL-Number	○ 9003
Colour rendering index (CRI)	> 80
Ingress protection front side (IP)	IP44
Ingress protection recessed part (IP)	IP20
Impact strength (IK)	IK02
Protection class	II
Risk group (EN 62471)	RG0
With control gear	Yes
Glow wire test	650°C
Driver failure rate (at 5,000 hrs)	< 1%
Displacement factor (DF)	0.9

Electrical Supply

Frequency	50 - 60 Hz
Nominal voltage	220 - 240 V
DC input voltage	No
230V Cable length	0.3 m

Mechanical Properties

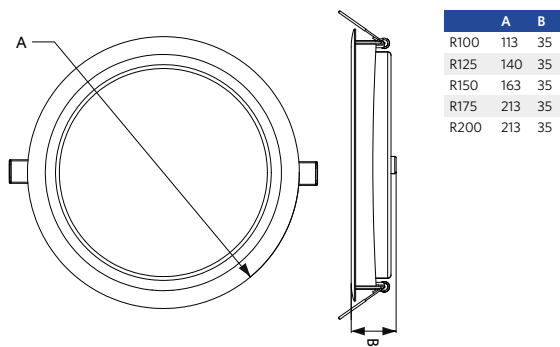
Housing material	Steel
Optical material	Polycarbonate

Ambient Conditions

Operating temperature	-10 - 45°C
Application temperature	25°C
Storage environment	-25 - 50°C



Dimensional Drawing (mm)



Installation Opening Drawing (mm)

