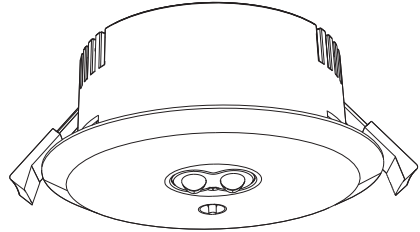


Emergency Spotlight

Art. Code	CCT	kg
572005001100	6500K	0.41Kg
572005001200	6500K	0.41Kg
572005001300	6500K	0.41Kg
572005001400	6500K	0.41Kg

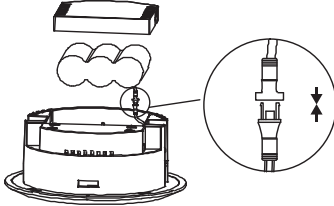


Light Source

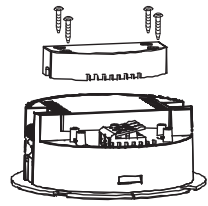
Art.Code	Product Description	D (mm)	H (mm)	Cut out (mm)	Rated Voltage (V~)	Frequency (Hz)	Current (A)	Power Factor	Rated Power(W)	Lumen (lm)	Test Mode	Battery	Duration time(H)	Charge time(H)
572005001100	LEDEM-Spot-E Rd140-3W-AT-AS/W-EM3-WH	140	56	ø115-130	200-240	50/60	0.03	0.3	3	240	AT	LiFePO4 6.4V 1500mAh	3	24
572005001200	LEDEM-Spot-E Rd140-3W-AT-AS/W-EM3-BL	140	56	ø115-130	200-240	50/60	0.03	0.3	3	240	AT	LiFePO4 6.4V 1500mAh	3	24
572005001300	LEDEM-Spot-E Rd140-3W-DALI-AS/W-EM3-WH	140	56	ø115-130	200-240	50/60	0.03	0.3	3	240	DA	LiFePO4 6.4V 1500mAh	3	24
572005001400	LEDEM-Spot-E Rd140-3W-DALI-AS/W-EM3-BL	140	56	ø115-130	200-240	50/60	0.03	0.3	3	240	DA	LiFePO4 6.4V 1500mAh	3	24

Installation (Recessed Mount)

① Take off the battery cover and connect the battery.

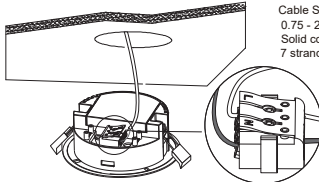


② Take off the terminal cover.



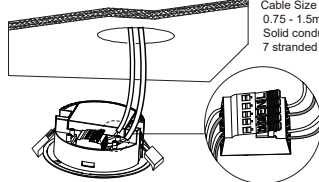
③ AC Power supply wiring, brown wire connects to L, blue wire connects N.

Cable Size & Strip Length
0.75 - 2.5mm²
Solid conductor or 7 stranded wire ends

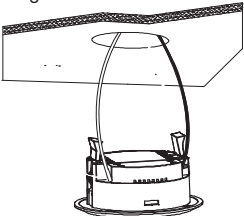


For DALI Luminaires -- connect DA/DA to DALI wiring.

Cable Size & Strip Length
0.75 - 1.5mm²
Solid conductor or 7 stranded wire ends

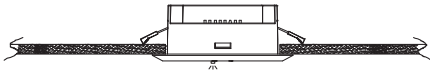


④ Fix the luminaire into ceiling.



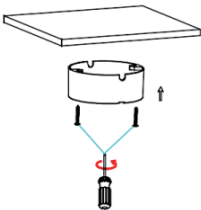
Cut out: ø115-130mm

⑤ Switch on, the green LED indicator will light up.

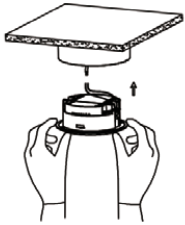


Installation (Surface Mount)

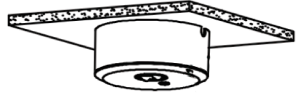
① Refer to step 1, step 2 and step 3 of Recessed Mount. Screw the surface mounting kit to the wall.



② Fix the luminaire into the surface mounting kit.

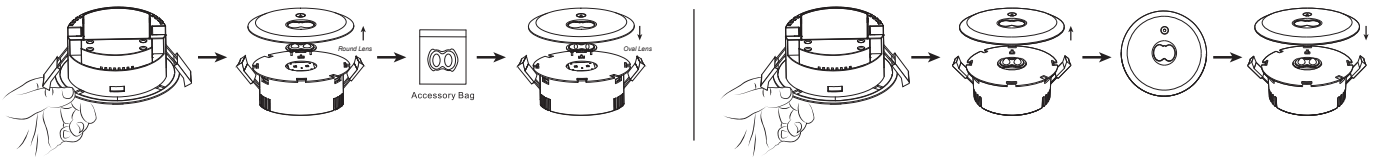


③ Switch on, the green LED indicator will light up.



Change Lens (Round lens as factory setting, oval lens in the accessory bag)

Change Front Cover (If needed)



The diagrams illustrate the process of changing the lens and front cover. For lens change, the luminaire is opened, the current lens is removed, and a new lens (round or oval) is inserted from the accessory bag. For front cover change, the luminaire is opened, the current front cover is removed, and a new front cover is inserted.

Instructions for automatic test option

1. Instruction for Automatic test function

Once the unit is powered up, a self-diagnostics test will be automatically initiated:

- Check battery, lamp, charge board and transfer fault all the time.
- Run 3mins duration test every month.
- Run 3H duration test every year.

Note: All test functions are preset and no need field adjustment.

•	One flash, 4s pause	Battery disconnected
••	Two flashes, 4s pause	Low battery voltage
•••	Three flashes, 4s pause	Charge board fault
••••	Four flashes, 4s pause	AC/DC transfer fault
•••••	Five flashes, 4s pause	LED lamp fault

Note: When the fault is recovered, press the test button for 2s, the red flashing indicator will turn green. The fault is cleared, and the unit is back to normal.

2. Dual Colour LED Status Indicator Meaning

- Green indicator solid on: Ready/ Normal Operation
- Red indicator flashes: Require service

3. Button Test

Press test button once	run a 30s duration test
Press test button twice within 2s	run a 3mins duration test
Press test button 3 times within 2s	run a 30mins duration test
Press test button 4 times within 2s	run a 3H duration test

Instructions for DALI test option

1. Instruction for DALI test function

Once the unit is powered up, a self-diagnostics test will be automatically initiated:

- Function test: Run a 5s function test each week.
 - Duration test: Run a 3H self-discharge each 52 weeks.
- After the first power on and charging for 20 hours, it will perform a 3H self-discharge.

Note: All test functions are preset and no need field adjustment.

2. Button Test

Press the test button once	Run a 5s function test
Press and hold the test button	Enter emergency mode
Release the test button	Exit emergency mode

3. System status is indicated by a bi-colour LED and by a DALI status flag

LED indication	Status	Commentary
Permanent green	System OK	
Fast flashing green (0.1 sec. on - 0.1 sec. off)	Function test underway	
Slow flashing green (1 sec. on - 1 sec. off)	Duration test	
Red LED on	Load failure	Open circuit / Short circuit / LED failure
Slow flashing red (1 sec. on - 1 sec. off)	Battery failure	Battery failed the duration test or function test/ Battery is defect / Incorrect battery voltage
Fast flashing red (0.1 sec. on - 0.1 sec. off)	Charging failure	Incorrect charging current
Double pulsing green	Inhibit mode	Switching into inhibit mode via controller
Binary transmission of address via green/red LED	Address identification	During address identification mode
Green and red off	Emergency mode	Battery operation (Emergency mode)

IP rating table: Before installation, please check the IP label on the luminaire to choose the right place to install.

IP20	Indoor use only, do not use in wet or damp place.
------	---



For non-user replaceable light sources:
The light source contained in this luminaire shall only be replaced by the manufacturer or his service agent or a similar qualified person. Otherwise the whole luminaire shall be replaced.



Luminaires not suitable for covering with thermally insulating material.
Leuchten sind nicht mit thermisch isolierenden Materialien abzudecken.

If the external flexible cable or cord of this luminaire is damaged, it shall be exclusively replaced by the manufacturer or his service agent or a similar qualified person in order to avoid a hazard.



Data subject to change
Les données sont sujettes à modifications
Änderungen vorbehalten

OPPLE Lighting Co., Ltd.
Room 411, Building 1 No. 6111, Longdong Avenue,
Pudong New District, Shanghai City 201201, P. R. China

Opplé Lighting B.V.
Meerenakkerweg 1-07
5652 AR Eindhoven
The Netherlands
service@opple.com
www.opple.com